



PARTS CATALOG

Published

2009/5 (May.)

0CNP3-G65800

SPECIFICATIONS

Model		Le20		
Dimensions	1	Overall length	mm	1795
		Overall width	mm	1530
		Overall height	mm	1220
	2	Overall length	mm	2755
		Overall width*	mm	1480
		Overall height	mm	1585
	Wheelbase		mm	1270
	Tire tread	Front	mm	810
Rear		mm	800	
Weight	1	Net weight	kg	440
	2	Net weight	kg	510
Engine	Make		Yanmar	
	Rated output		hp	20
	Displacement		cc	784
	No. of cylinders		3	
	Air cleaner		Dry	
	Alternator		volt - A	35A
	Fuel oil tank capacity		ℓ	17.5
Power train and chasis	Transmission		Hydrostatic transmission	
	Travel speed	Forward	km/hr	0 to 12.3
		Reverse	km/hr	0 to 6.1
	Tire	Front(Ply)	16×6.50 - 6 (2)	
		Rear(Ply)	23×10.5 - 12(2)	
	Steering system		Hydraulic power steering(2WS)	
	Brake system		Internal expansion	
	Drive system		2WD	
Cruise control		Equipped		
Mower deck	Type		Side discharge type	
	Cutting width		mm(inch)	1220(48')
	Cutting height		mm	25 to 108(13 stages)
	No. of blades		3	
	Drive system		Shaft drive	
Optional attachment	Grass collector (Capacity:550 ℓ)		Yes	
	Cabin		Yes	
	Front sweeper (1.25m)		Yes	
	Front blade(1.25m)		Yes	
	Sand spreader(75 ℓ)		Yes	
	Rear discharge mower(48')		Yes	

1 : Shown without a grass collector

2 : Shown with a grass collector

*At raised deflector position

Note : This is a preliminary brochure and subject to change without notice.

CONTENTS

MODEL : LE-20 - (3TNE68-UMFP)
PC NO : 0CNP3-G65800

Fig.No.	GROUP NAME
ENGINE UNIT(3TNE68-UMFP)	
1.	CYLINDER BLOCK
2.	GEAR HOUSING
3.	OIL SUMP
4.	CYLINDER HEAD & BONNET
5.	SUCTION MANIFOLD
6.	EXHAUST MANIFOLD & SILENCER
7.	CAMSHAFT & DRIVING GEAR
8.	CRANKSHAFT & PISTON
9.	LUBRICATING OIL SYSTEM
10.	COOLING WATER SYSTEM
11.	FUEL OIL INJECTION PUMP
12.	GOVERNOR
13.	FUEL OIL INJECTION VALVE
14.	FUEL OIL LINE
15.	STARTING MOTOR
16.	GENERATOR
ENGINE RELATION UNIT	
17.	ENGINE MOUNTING
18.	ENGINE ACCESSORIES
19.	FUEL TANK
20.	FUEL PIPE
21.	CONTROL VALVE
22.	HYDRAULIC PIPINGS & CYLINDER
23.	HYDRAULIC PIPING(PST)
24.	RADIATOR
25.	BATTERY
26.	ELECTRICAL PARTS
27.	HARNESS

Fig.No.	GROUP NAME
TRANSMISSION UNIT	
28.	TRANSMISSION IN-PUT
29.	TRANSMISSION CASE
30.	COUNTER SHAFT
31.	BRAKE SHAFT
32.	H.S.T
33.	MOWER DRIVE & BELT
34.	TENSION & BELT COVER
35.	MOWER BRAKE & RETURN
FRONT AXLE SECTION	
36.	FRONT AXLE(PST)
37.	REAR AXLE SHAFT
38.	DIFFERENTIAL
39.	TIRE WHEEL
40.	STEERING(PST)
41.	STEERING WHEEL
42.	FRONT LINK
43.	POWER STEERING CYLINDER
CHASSIS FRAME SECTION	
44.	CHASSIS FRAME
45.	LIFT LINK
FITTINGS SECTION	
46.	BONNET
47.	COLUMU COVER(PST)
48.	FENDER
49.	OPERATOR SEAT

CONTENTS

MODEL : LE-20 - (3TNE68-UMFP
PC NO : 0CNP3-G65800

Fig.No. GROUP NAME

CONTROL UNIT

- 50. ENGINE CONTROL
- 51. CHANGE CONTROL
- 52. CRUISE CONTROL
- 53. BRAKE ROD
- 54. BRAKE PEDAL
- 55. CLUTCH LEVER

MOWER UNIT

- 56. MOWER DECK
- 57. MOWER COVER
- 58. ABANDON COVER
- 59. MOWER IN-PUT
- 60. MOWER PULLEY & BELT
- 61. BLADE HOLDER & SHAFT
- 62. TENSION ARM
- 63. MOWER PULLEY & BELT(REU
- 64. BLADE HOLDER(REU
- 65. TEN SION(REU
- 66. BLADE
- 67. GAUGE WHEEL
- 68. GAUGE WHEEL(REAR
- 69. MOWER DECK(REU
- 70. MOWER COVER(REU

THROWER & CATCHER

- 71. THROWER DRIVE
- 72. THROWER JOINT
- 73. THROWER FAN

Fig.No. GROUP NAME

- 74. THROWER CASE & JOINT COVER
- 75. CATCHER
- 76. SENSOR STAY(F
- 77. CATCHER ELECTRICAL PARTS

LABELS & ACCESSORIES SECTION

- 78. LABELS
- 79. LABELS(PRODUCT LIABILITY)
- 80. TOOLS

OPTIONAL PARTS UNIT

- 81. WHEEL FLANGE(OPION
- 82. CHAIN COVER(OPTION

Fig.1. CYLINDER BLOCK

(A)=3TNE68-UMFP

(B)=

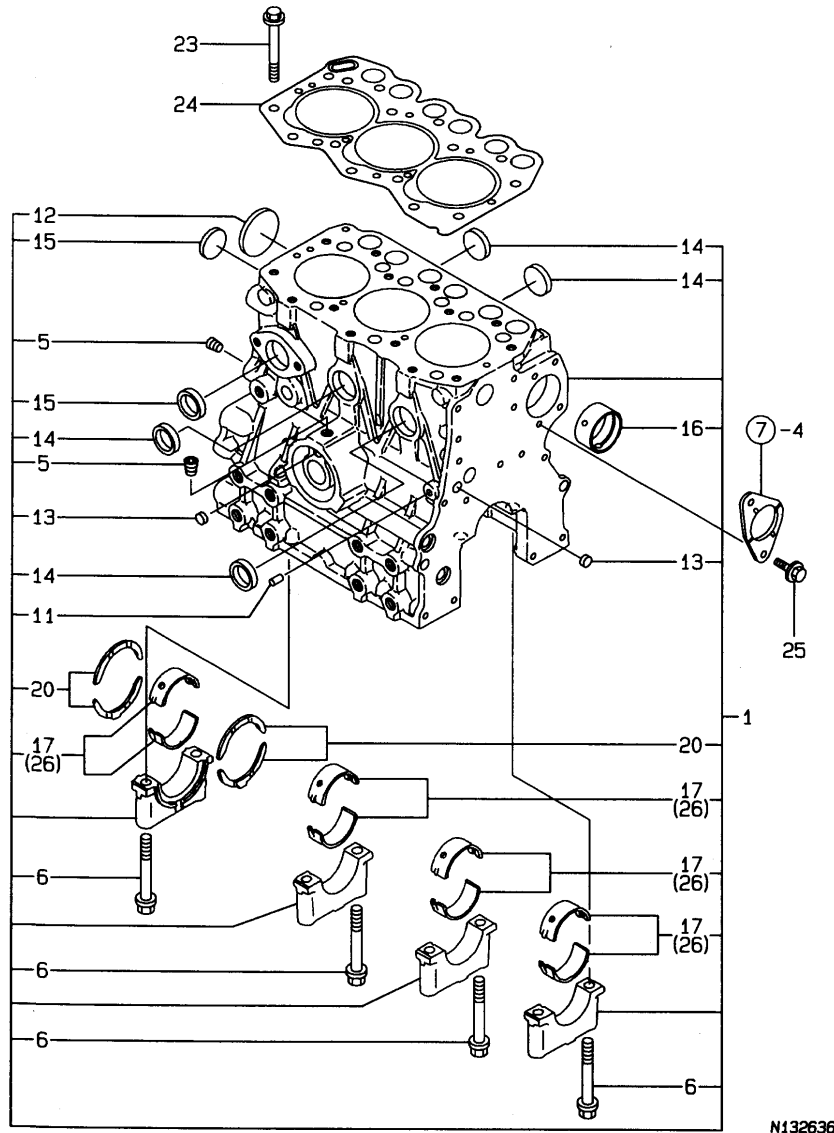
(C)=

(D)=

(E)=

(F)=

1. CYLINDER BLOCK

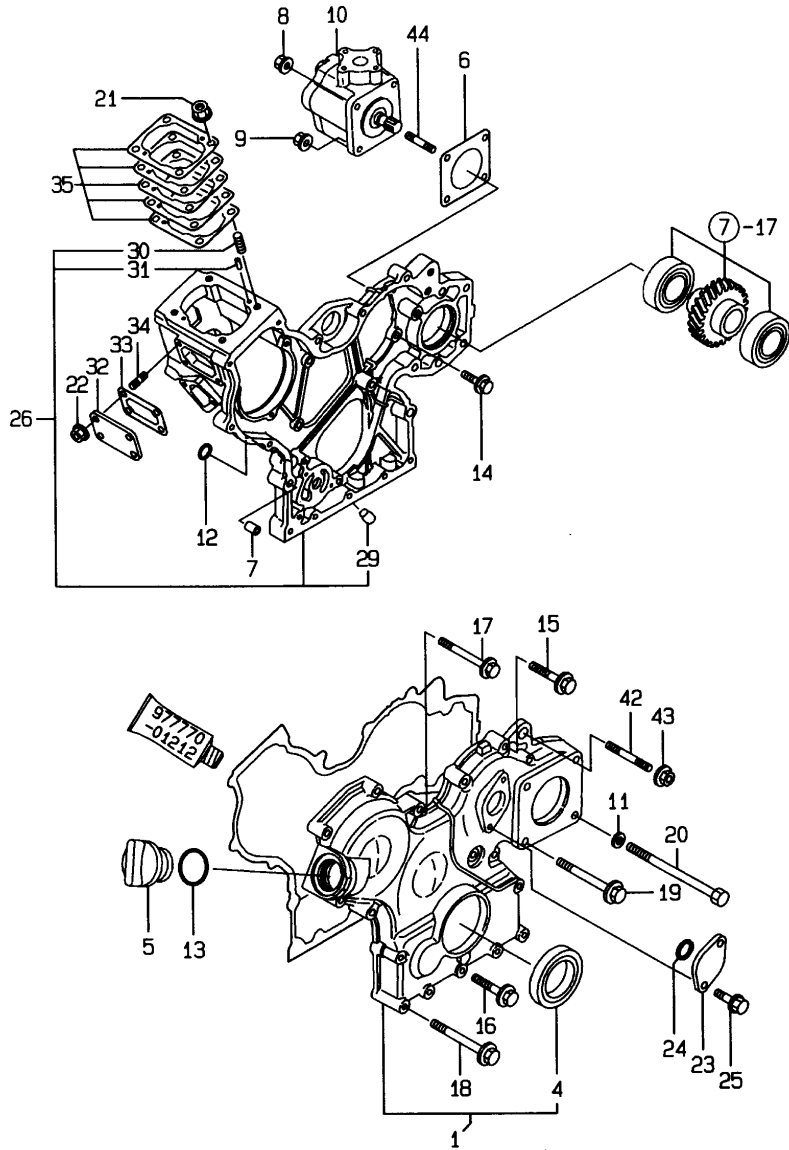


REF.	LEV.	PARTS NO.	DESCRIPTION	QTY						I	R	
				(A)	(B)	(C)	(D)	(E)	(F)			
1	1	719265-01560	BLOCK ASSY, CYLINDER	1								
5	2	124060-01050	PLUG PT1/8	2								
6	2	119260-02020	BOLT	8								
11	2	27221-060100	PLUG 6X10	1								
12	2	27231-400000	PLUG 40	1								
13	2	27241-100000	PLUG 10	2								
14	2	27241-250000	PLUG 25	4								
15	2	27241-300000	PLUG 30	2								
16	2	119266-02410	BUSH	1								
17	2	719260-02800	MAIN BEARING	4								
20	2	719260-02930	BEARING, THRUST	2								
23	1	119266-01200	STUD, CYL. HEAD	14								
24	1	119265-01341	GASKET, CYL. HEAD	1								
25	1	26106-060122	BOLT M 6X 12 PLATED	2								
26	1	719260-02870	MAIN BEARING US=0.25	4								1

Remarks
 (1) UNDER-SIZE(U.S=0.25)PART.
 (REMARKS)"EFFECTIVE MACHINE NO." OF
 ENGINE IS INDICATED ON THE
 ENGINE LABEL WHICH IS SHOWN
 IN FIG.4.

Fig.2. GEAR HOUSING

2. GEAR HOUSING



(A)=3TNE68-UMFP

(B)=

(C)=

(D)=

(E)=

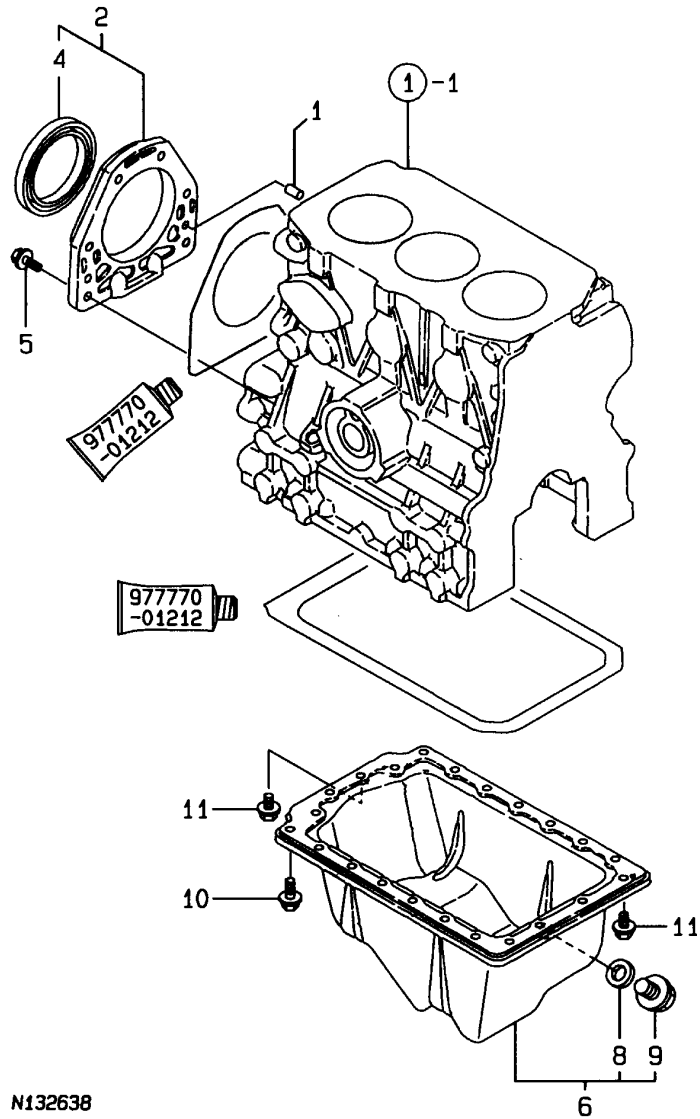
(F)=

REF.	LEV.	PARTS NO.	DESCRIPTION	QTY						I	R
				(A)	(B)	(C)	(D)	(E)	(F)		
1	1	119263-01590	COVER ASSY,GEAR CASE	1							
4	2	119620-01800	SEAL, OIL	1							
5	1	124160-01751	COVER,FILLER	1							
6	1	124240-01883	GASKET, (NON-ASB.)	1							
7	1	119660-01911	PIPE, KNOCK	4							
8	1	26366-080002	NUT M 8	1							
9	1	26366-080002	NUT M 8	3							
10	1	119462-26020	PUMP,HYDRAULIC OIL	1							
11	1	22137-080000	WASHER 8, POLISHED	2							
12	1	24311-000120	O-RING 1A P 12.0	2							
13	1	24311-000320	O-RING 1A P-32.0	1							
14	1	26106-060162	BOLT M 6X 16 PLATED	6							
15	1	26106-060302	BOLT M 6X 30 PLATED	4							
16	1	26106-060402	BOLT M 6X 40 PLATED	3							
17	1	26106-060502	BOLT M 6X 50 PLATED	3							
18	1	26106-060652	BOLT M 6X 65 PLATED	6							
19	1	26106-080702	BOLT M 8X 70 PLATED	1							
20	1	26116-081302	BOLT M 8X130 PLATED	2							
21	1	194990-22050	NUT W/WASHER 8	4							
22	1	26366-060002	NUT M 6	4							
23	1	121023-01550	COVER, BLIND	1							
24	1	24341-000240	O-RING 1A S-24.0	1							
25	1	26106-060162	BOLT M 6X 16 PLATED	2							
26	1	119263-01490	HOUSING ASSY, GEAR	1							
29	2	119260-01510	PLUG	1							
30	2	121450-01560	STUD M 8X 22	4							
31	2	22351-040010	SPRING PIN 4X10	2							
32	1	119660-01551	COVER	1							
33	1	119660-01562	GASKET, (NON-ASB.)	1							
34	1	119660-01570	STUD M6X12	4							
35	1	119623-01950	SHIM PACK	1							
42	1	26216-100352	STUD M10X 35 PLATED	1							
43	1	26366-100002	NUT M10	1							
44	1	121450-01560	STUD M 8X 22	1							

Remarks
 (REMARKS)"EFFECTIVE MACHINE NO." OF
 ENGINE IS INDICATED ON THE
 ENGINE LABEL WHICH IS SHOWN
 IN FIG.4.

Fig.3. OIL SUMP

3. OIL SUMP



N132638

Remarks
 (REMARKS)"EFFECTIVE MACHINE NO." OF
 ENGINE IS INDICATED ON THE
 ENGINE LABEL WHICH IS SHOWN
 IN FIG.4.

OCNP3-G65800 3. OIL SUMP

(A)=3TNE68-UMFP

(B)=

(C)=

(D)=

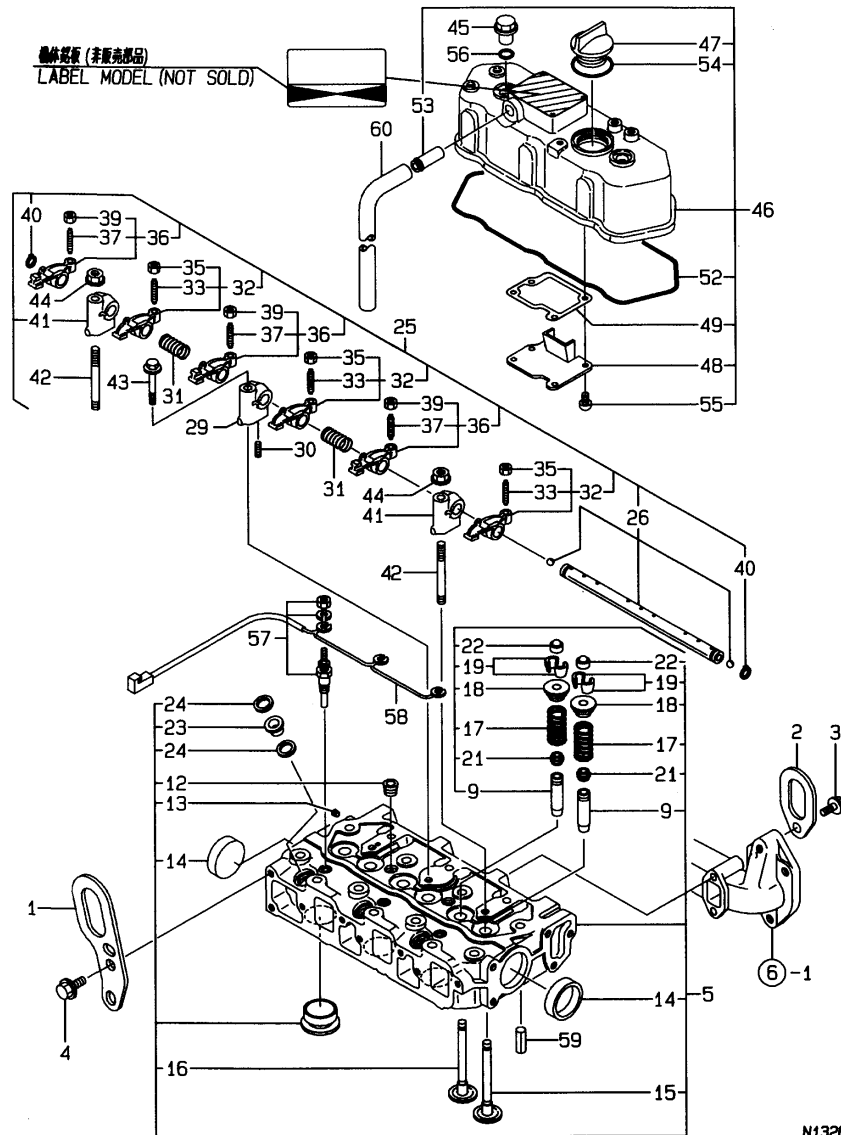
(E)=

(F)=

REF.	LEV.	PARTS NO.	DESCRIPTION	QTY						I	R
				(A)	(B)	(C)	(D)	(E)	(F)		
1	1	119620-01620	PARALLEL PIN 6X10	2							
2	1	719620-01650	CASE ASSY, OIL SEAL	1							
4	2	124085-02220	SEAL, OIL	1							
5	1	26106-060222	BOLT M 6X 22 PLATED	6							
6	1	119258-01770	PAN, LUB OIL	1							
8	2	22190-120002	SEAL WASHER 12	1							
9	2	23887-120002	PLUG M12,HEX.	1							
10	1	26106-060082	BOLT M 6X 8 PLATED	16							
11	1	26106-060122	BOLT M 6X 12 PLATED	6							

Fig.4. CYLINDER HEAD & BONNET

4. CYLINDER HEAD & BONNET



Remarks
 (1) REPAIR PART.
 (REMARKS)"EFFECTIVE MACHINE NO." OF
 ENGINE IS INDICATED ON THE
 ENGINE LABEL WHICH IS SHOWN
 IN FIG.4.

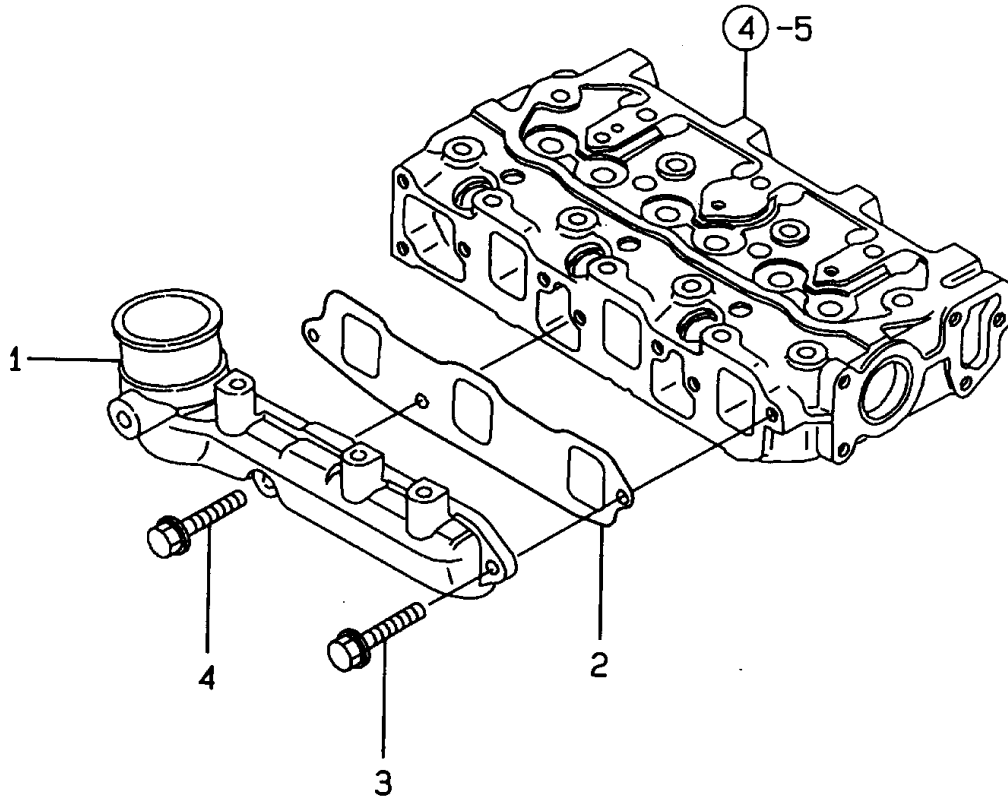
(A)=3TNE68-UMFP
 (B)=
 (C)=

(D)=
 (E)=
 (F)=

REF.	LEV.	PARTS NO.	DESCRIPTION	QTY						I	R
				(A)	(B)	(C)	(D)	(E)	(F)		
1	1	119260-07900	LIFTER, ENGINE	1							
2	1	119225-07910	LIFTER, ENGINE	1							
3	1	26106-080142	BOLT 8X 14 PLATED	1							
4	1	26106-080162	BOLT M 8X 16 PLATED	2							
5	1	119265-11700	HEAD ASSY, CYLINDER	1							
9	2	119260-11800	GUIDE, VALVE	6							1
12	2	23871-030000	PLUG PT3/8,SCREW	2							
13	2	27221-050080	PLUG 5X 8	1							
14	2	27241-350000	PLUG 35	2							
15	2	119260-11100	VALVE, SUCTION	3							
16	2	119260-11110	VALVE, EXHAUST	3							
17	2	114250-11120	SPRING, VALVE	6							
18	2	114250-11180	RETAINER, SPRING	6							
19	2	714250-11570	COTTER ASSY	6							
21	2	119260-11340	SEAL, VALVE STEM	6							
22	2	119260-11370	CAP, VALVE	6							
23	2	119600-11450	PROTECTOR, NOZZLE	3							
24	2	119600-11460	GASKET, NOZZLE	6							
25	1	119260-11200	SUPPORT ASSY, ARM	1							
26	2	119260-11240	SHAFT ASSY, ARM	1							
29	2	119260-11260	SUPPORT, ROCKER ARM	1							
30	2	119260-11270	SCREW	1							
31	2	119260-11280	SPRING	2							
32	2	719260-11650	ARM ASSY, ROCKER	3							
33	3	105010-11230	SCREW, VALVE	3							
35	3	26756-060002	LOCK NUT 6	3							
36	2	719260-11660	ARM ASSY, ROCKER	3							
37	3	105010-11230	SCREW, VALVE	3							
39	3	26756-060002	LOCK NUT 6	3							
40	2	22242-000100	CIRCLIP 10	2							
41	2	119265-11260	SUPPORT, ROCKER ARM	2							
42	1	119620-11350	STUD	2							
43	1	26106-080452	BOLT M 8X 45 PLATED	1							
44	1	26366-080002	NUT M 8	2							
45	1	124160-11360	KNOB	2							
46	1	119260-11330	BONNET ASSY,(NON-ASB)	1							
47	2	124160-01751	COVER,FILLER	1							
48	2	119260-03020	PLATE, SHELTER	1							
49	2	119260-03031	GASKET, (NON-ASB.)	1							
52	2	119260-11310	GASKET, BONNET	1							
53	2	118400-03060	JOINT, BREATHER	1							
54	2	24311-000320	O-RING 1A P-32.0	1							
55	2	22857-500100	SCREW 5X10,TAPPING	4							
56	1	24311-000120	O-RING 1A P 12.0	2							
57	1	129155-77800	PLUG, GLOW	3							
58	1	119645-77820	CONNECTOR, GLOW PLUG	1							
59	1	22351-060012	SPRING PIN 6X12	2							
60	1	23065-120500	PIPE, VINYL 12X 500	1							

Fig.5. SUCTION MANIFOLD

5. SUCTION MANIFOLD



0CNP3-G65800 5. SUCTION MANIFOLD

(A)=3TNE68-UMFP
(B)=
(C)=

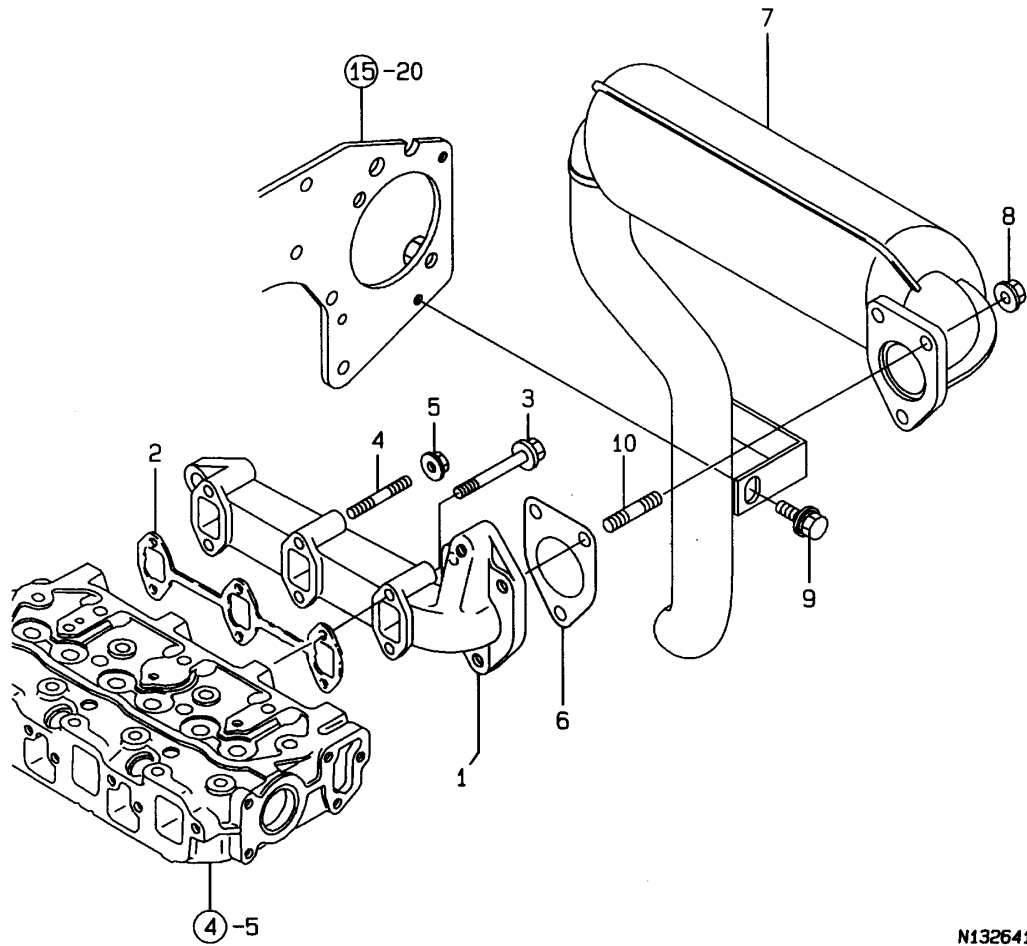
(D)=
(E)=
(F)=

REF.	LEV.	PARTS NO.	DESCRIPTION	Q'TY						I	R
				(A)	(B)	(C)	(D)	(E)	(F)		
I	1	119270-12100	MANIFOLD, SUCTION	1							
	2	119270-12110	GASKET, SUC.MANIFOLD	1							
	3	26106-060162	BOLT M 6X 16 PLATED	2							
	4	26106-060282	BOLT M 6X 28 PLATED	1							

Remarks
(REMARKS)"EFFECTIVE MACHINE NO." OF
ENGINE IS INDICATED ON THE
ENGINE LABEL WHICH IS SHOWN
IN FIG.4.

Fig.6. EXHAUST MANIFOLD & SILENCER

6. EXHAUST MANIFOLD & SILENCER



OCNP3-G65800 6. EXHAUST MANIFOLD & SILENCER

(A)=3TNE68-UMFP

(B)=

(C)=

(D)=

(E)=

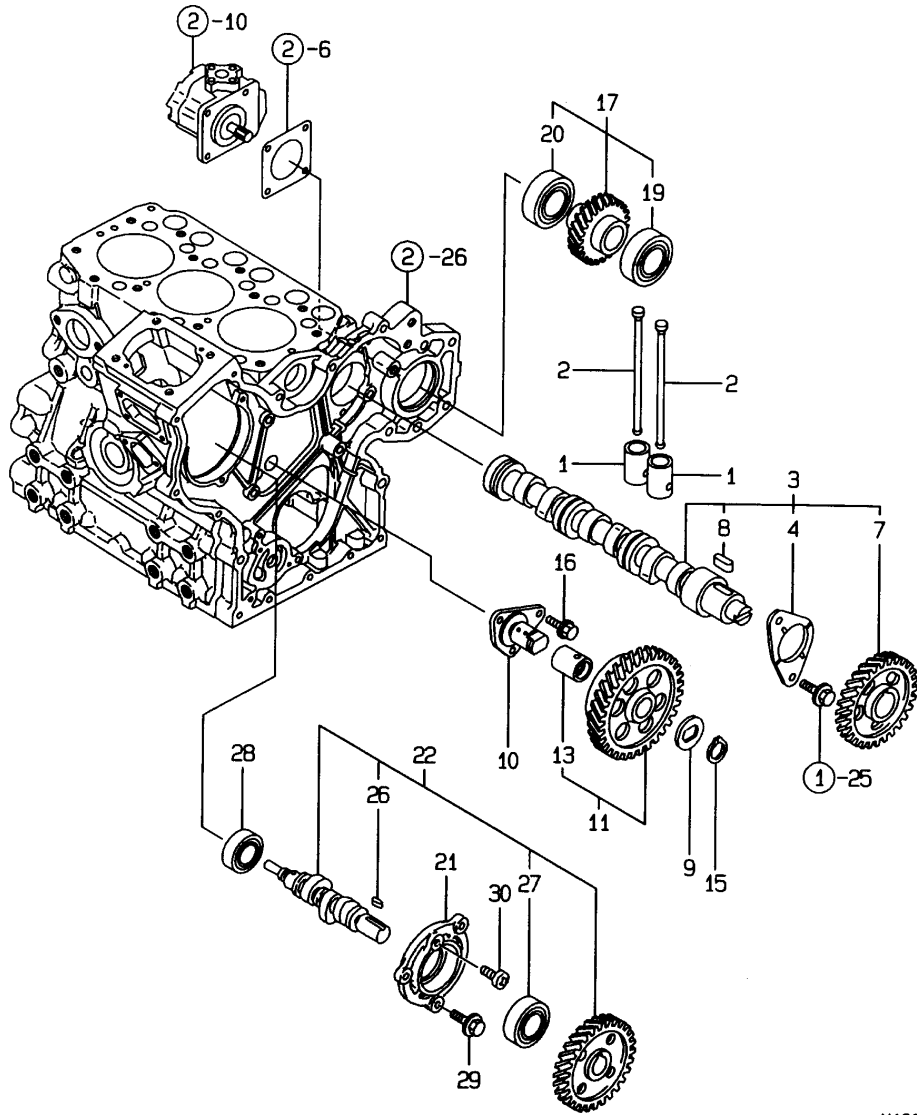
(F)=

REF.	LEV.	PARTS NO.	DESCRIPTION	QTY						I	R
				(A)	(B)	(C)	(D)	(E)	(F)		
1	1	119225-13101	MANIFOLD, EXHAUST	1							
2	1	119260-13110	GASKET, EXH.MANIFOLD	1							
3	1	26106-060402	BOLT M 6X 40 PLATED	4							
4	1	26216-060402	STUD M 6X 40 PLATED	2							
5	1	26366-060002	NUT M 6	2							
6	1	119260-13202	GASKET, (NON-ASB.)	1							
7	1	119258-13500	SILENCER	1							
8	1	26366-080002	NUT M 8	3							
9	1	26014-080252	BOLT M 8X 25	1							
10	1	26216-080202	STUD M 8X 20 PLATED	3							

Remarks
 (REMARKS)"EFFECTIVE MACHINE NO." OF
 ENGINE IS INDICATED ON THE
 ENGINE LABEL WHICH IS SHOWN
 IN FIG.4.

Fig.7. CAMSHAFT & DRIVING GEAR

7. CAMSHAFT & DRIVING GEAR



N132642

Remarks
 (1) REPAIR PART.
 (REMARKS)"EFFECTIVE MACHINE NO." OF
 ENGINE IS INDICATED ON THE
 ENGINE LABEL WHICH IS SHOWN
 IN FIG.4.

OCNP3-G65800 7. CAMSHAFT & DRIVING GEAR

(A)=3TNE68-UMFP

(B)=

(C)=

(D)=

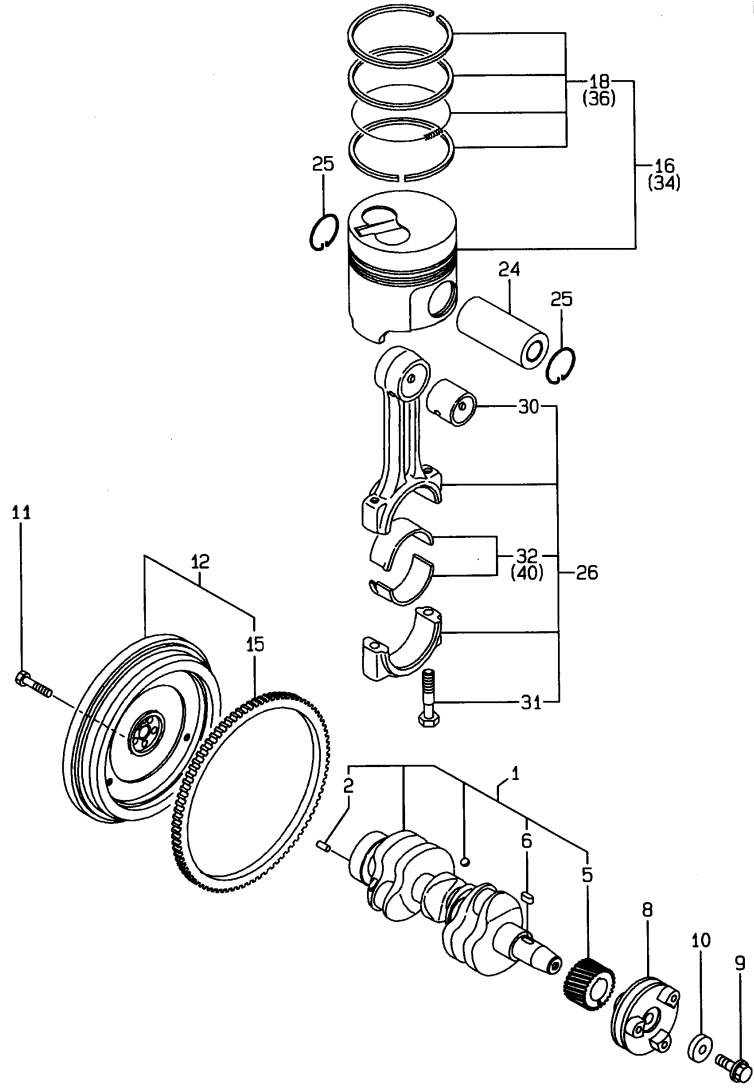
(E)=

(F)=

REF.	LEV.	PARTS NO.	DESCRIPTION	QTY						I	R
				(A)	(B)	(C)	(D)	(E)	(F)		
1	1	119260-14200	TAPPET	6							
2	1	119260-14400	ROD, PUSH	6							
3	1	119260-14580	CAMSHAFT ASSY	1							
4	2	119620-02450	BEARING, THRUST	1							
7	2	119260-14100	GEAR, CAMSHAFT	1							
8	2	22512-040120	KEY 4X 12	1							
9	1	119660-25022	RETAINER, IDLE GEAR	1							
10	1	119660-25052	SHAFT, IDLE GEAR	1							
11	1	119260-25100	GEAR W/BUSH, IDLE	1							
13	2	119620-25912	BUSH	1							1
15	1	22242-000200	CIRCLIP 20	1							
16	1	26106-060122	BOLT M 6X 12 PLATED	3							
17	1	119263-26001	GEAR ASSY, HYDR.PUMP	1							
19	2	129350-26490	BALL BEARING	1							
20	2	24104-060054	BALL BEARING	1							
21	1	119660-01821	BEARING, FUEL CAM.	1							
22	1	119225-14200	CAM ASSY, F.I. PUMP	1							
26	2	22512-040120	KEY 4X 12	1							
27	2	24102-063034	BALL BEARING 6303U	1							
28	1	24101-062034	BALL BEARING	1							
29	1	26106-060162	BOLT M 6X 16 PLATED	3							
30	1	26587-080102	SCREW M 8X 10	1							

Fig.8. CRANKSHAFT & PISTON

8. CRANKSHAFT & PISTON



Remarks
 (1) REPAIR PART.
 (2) OVER-SIZE(O.S=0.25)PART.
 (3) UNDER-SIZE(U.S=0.25)PART.
 (REMARKS)"EFFECTIVE MACHINE NO." OF
 ENGINE IS INDICATED ON THE
 ENGINE LABEL WHICH IS SHOWN
 IN FIG.4.

0CNP3-G65800 8. CRANKSHAFT & PISTON

(A)=3TNE68-UMFP

(B)=

(C)=

(D)=

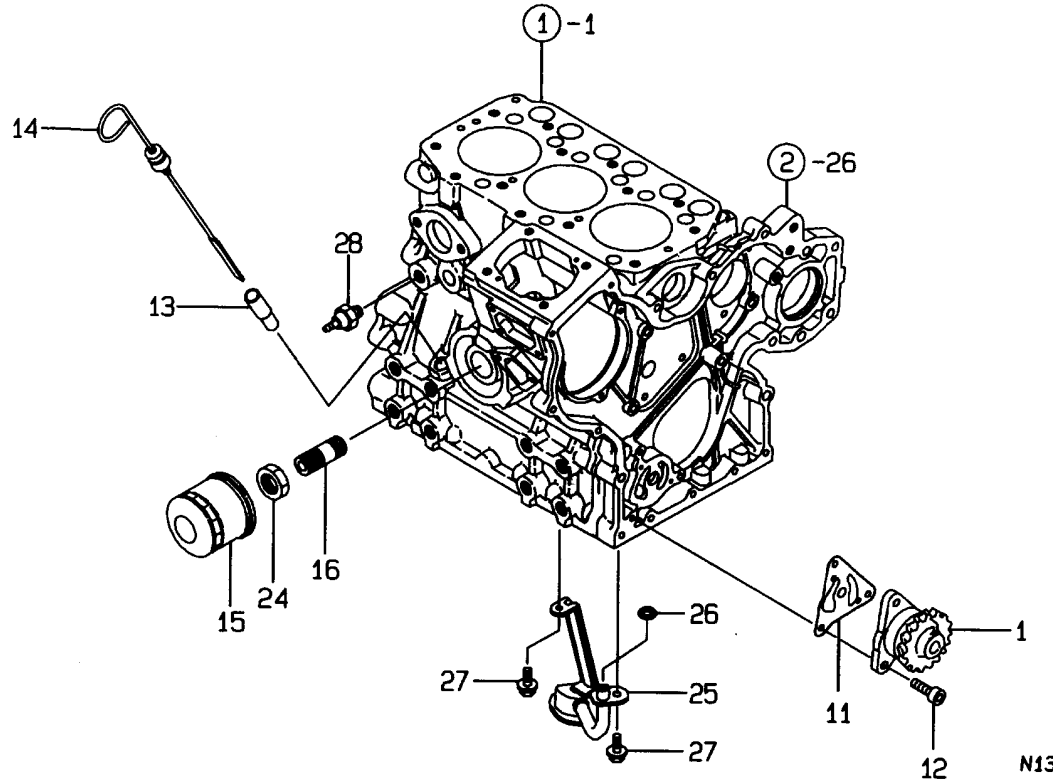
(E)=

(F)=

REF.	LEV.	PARTS NO.	DESCRIPTION	Q'TY						I	R
				(A)	(B)	(C)	(D)	(E)	(F)		
1	1	119265-21700	CRANKSHAFT ASSY	1							
2	2	129100-01580	PARALLEL PIN 8X16	1							
5	2	119260-21200	GEAR, CRANKSHAFT	1							
6	2	22512-040120	KEY 4X 12	1							
8	1	119260-21650	V-PULLEY	1							
9	1	119621-21680	BOLT M12X1.25,FLANGE	1							
10	1	119620-21941	WASHER	1							
11	1	119620-21500	BOLT, FLYWHEEL	5							
12	1	119255-21590	FLYWHEEL ASSY	1							
15	2	124060-21600	GEAR, RING	1							
16	1	119265-22601	PISTON W/RINGS	3							
18	2	119265-22500	RING SET	3							
24	1	119265-22300	PIN, PISTON	3							
25	1	22252-000200	CIRCLIP 20	6							
26	1	119265-23100	ROD ASSY, CONNECTING	3							
I 30	2	119260-23910	BUSH, PISTON PIN	3							1
31	2	119265-23200	BOLT, ROD	6							
32	2	719260-23600	BEARING, CRANKPIN	3							
34	1	119265-22930	PISTON W/RING OS=.25	3							2
36	2	119265-22950	RING SET O.S=0.25	3							2
40	1	719260-23610	BEARING,PIN U.S=0.25	3							3

Fig.9. LUBRICATING OIL SYSTEM

9. LUBRICATING OIL SYSTEM



OCNP3-G65800 9. LUBRICATING OIL SYSTEM

(A)=3TNE68-UMFP

(B)=

(C)=

(D)=

(E)=

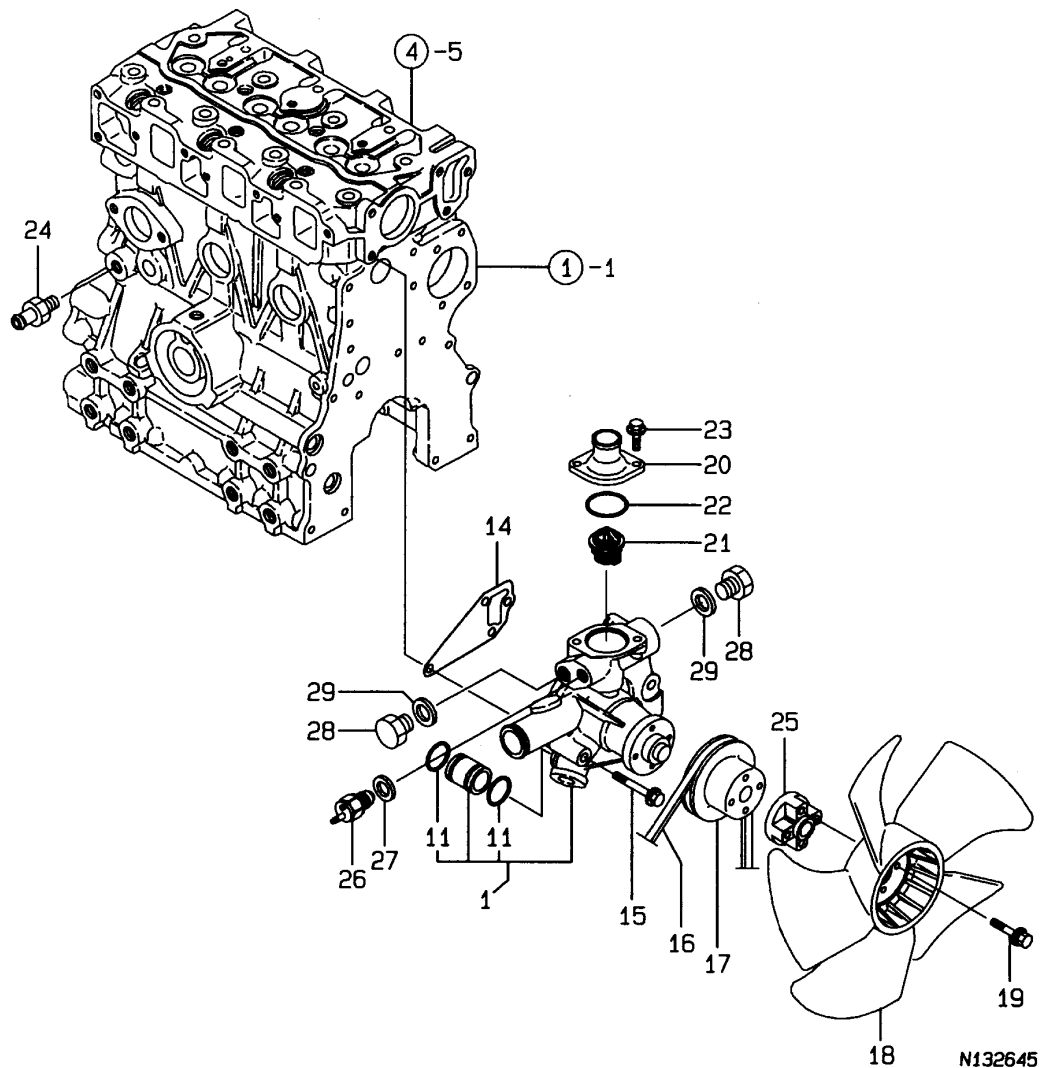
(F)=

REF.	LEV.	PARTS NO.	DESCRIPTION	QTY						I	R
				(A)	(B)	(C)	(D)	(E)	(F)		
1	1	119260-32000	PUMP ASSY, LUB. OIL	1							
11	1	119660-32020	GASKET, L.O.PUMP	1							
12	1	26450-060202	BOLT M 6X 20	3							
13	1	121520-34810	GUIDE, DIPSTICK	1							
14	1	129132-34800	DIPSTICK	1							
15	1	119305-35150	FILTER, LUB. OIL	1							
16	1	119225-35300	VALVE ASSY,OIL PRESS	1							
24	1	129150-35350	NUT	1							
25	1	119260-35090	PIPE, OIL INLET	1							
26	1	119209-35030	O-RING	1							
27	1	26106-060122	BOLT M 6X 12 PLATED	2							
28	1	124160-39450	SWITCH, OIL PRESSURE	1							

Remarks
 (REMARKS)"EFFECTIVE MACHINE NO." OF
 ENGINE IS INDICATED ON THE
 ENGINE LABEL WHICH IS SHOWN
 IN FIG.4.

Fig.10. COOLING WATER SYSTEM

10. COOLING WATER SYSTEM



OCNP3-G65800 10. COOLING WATER SYSTEM

(A)=3TNE68-UMFP
(B)=
(C)=

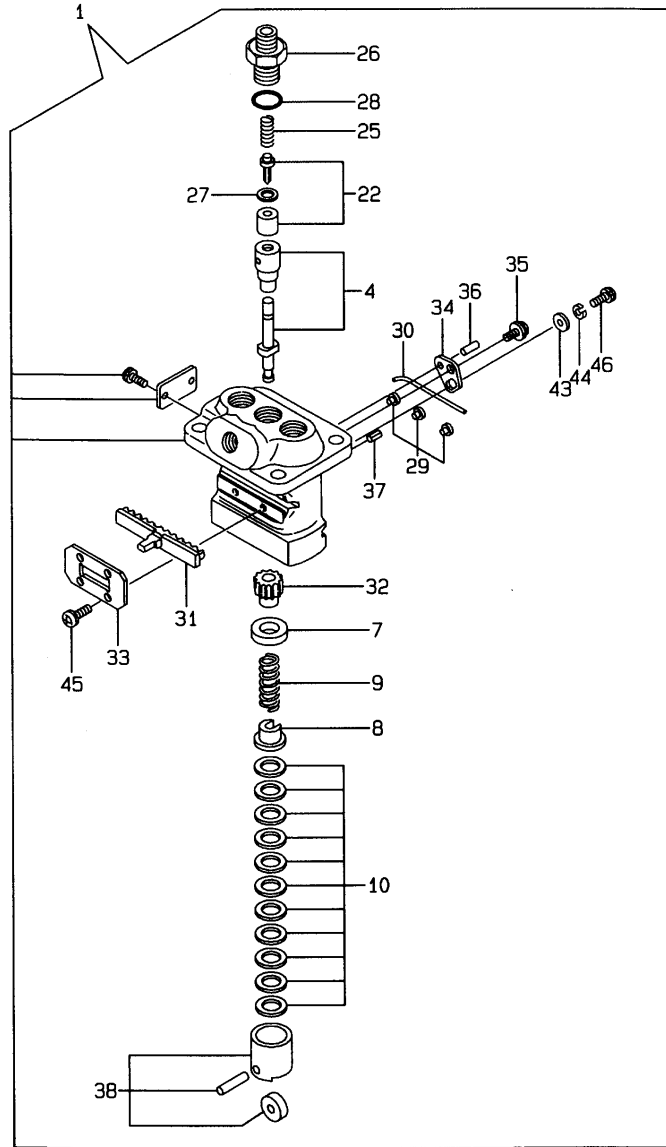
(D)=
(E)=
(F)=

REF.	LEV.	PARTS NO.	DESCRIPTION	QTY						I	R
				(A)	(B)	(C)	(D)	(E)	(F)		
1	1	119254-42000	PUMP ASSY, C. WATER	1							
11	2	24311-000210	O-RING 1A P-21.0	2							
14	1	119260-42020	GASKET, C.W. PUMP	1							
15	1	26106-080452	BOLT M 8X 45 PLATED	3							
16	1	119256-42290	V-BELT 33.5	1							
17	1	119620-42350	V-PULLEY, C.W. PUMP	1							
18	1	119258-44740	FAN(D300,SUCTION	1							
19	1	26106-060302	BOLT M 6X 30 PLATED	4							
20	1	129350-49530	COVER, THERMOSTAT	1							
21	1	119621-49800	THERMOSTAT,82 DEG	1							
22	1	129350-49541	GASKET, (NON-ASB.)	1							
23	1	26106-080202	BOLT M 8X 20 PLATED	2							
24	1	121550-49111	JOINT PT1/4	1							
25	1	121267-44760	SPACER	1							
26	1	121250-44901	SWITCH, THERMO(110 C	1							
27	1	124465-44950	GASKET 16	1							
28	1	121450-42450	PLUG M16	2							
29	1	124465-44950	GASKET 16	2							

Remarks
(REMARKS)"EFFECTIVE MACHINE NO." OF
ENGINE IS INDICATED ON THE
ENGINE LABEL WHICH IS SHOWN
IN FIG.4.

Fig.11. FUEL OIL INJECTION PUMP

11. FUEL OIL INJECTION PUMP



Remarks
 (REMARKS)"EFFECTIVE MACHINE NO." OF
 ENGINE IS INDICATED ON THE
 ENGINE LABEL WHICH IS SHOWN
 IN FIG.4.

OCNP3-G65800 11. FUEL OIL INJECTION PUMP

(A)=3TNE68-UMFP

(B)=

(C)=

(D)=

(E)=

(F)=

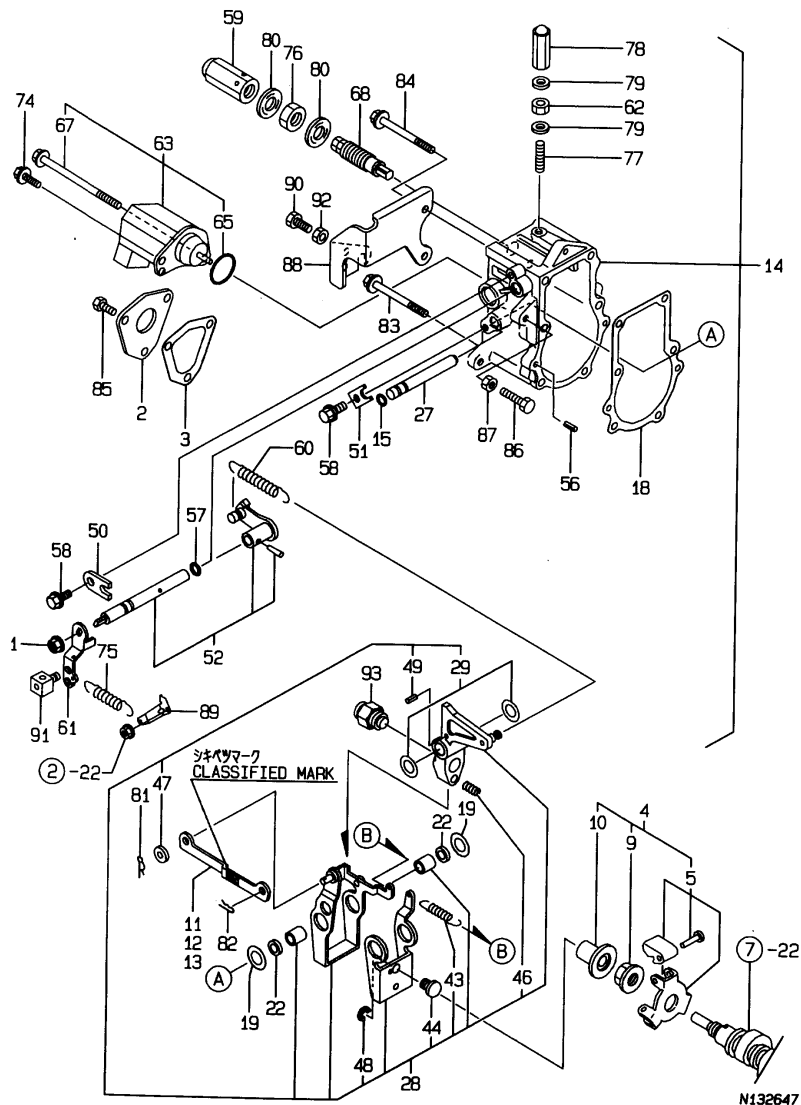
REF.	LEV.	PARTS NO.	DESCRIPTION	QTY						I	R
				(A)	(B)	(C)	(D)	(E)	(F)		
1	1	719225-51100	PUMP ASSY, F.INJECT.	1							
4	2	119225-51100	PLUNGER W/BARREL	3							
7	2	119620-51170	RETAINER	3							
8	2	119620-51180	RETAINER	3							
9	2	119620-51190	SPRING, PLUNGER	3							
10	2	119620-51250	SHIM PACK	3							
22	2	119225-51300	VALVE W/SEAT, DELIV.	3							
25	2	105546-51330	SPRING, DELIV. VALVE	3							
26	2	119620-51340	HOLDER, DELIV. VALVE	3							
27	2	119620-51350	GASKET, DELIVERY	3							
28	2	119620-51370	O-RING	3							
29	2	119620-51450	GUIDE, PLUNGER	3							
30	2	119620-51461	PIN	1							
31	2	119660-51500	RACK	1							
32	2	119620-51510	PINION	3							
33	2	119660-51530	RETAINER, RACK	1							
34	2	119620-51650	PLATE	2							
35	2	119620-51660	SCREW	2							
I 36	2	119620-51670	PIN	2							
37	2	119620-51680	PIN	1							
38	2	119620-51700	TAPPET ASSY	3							
I 43	2	22137-040000	WASHER 4, POLISHED	2							
I 44	2	22217-040000	SPRING WASHER 4	2							
45	2	26022-040082	SCREW M 4X 8	4							
46	2	26587-040102	SCREW M 4X 10	2							

Fig.12. GOVERNOR

(A)=3TNE68-UMFP
(B)=
(C)=

(D)=
(E)=
(F)=

12. GOVERNOR



Remarks
(1) SELECTIVE PARTS: CERTAIN THE CLASSIFICATION MARK, THEN PLACE YOUR ORDER(REFER TO ILLUSTRATION) (REMARKS)"EFFECTIVE MACHINE NO." OF ENGINE IS INDICATED ON THE ENGINE LABEL WHICH IS SHOWN IN FIG.4.

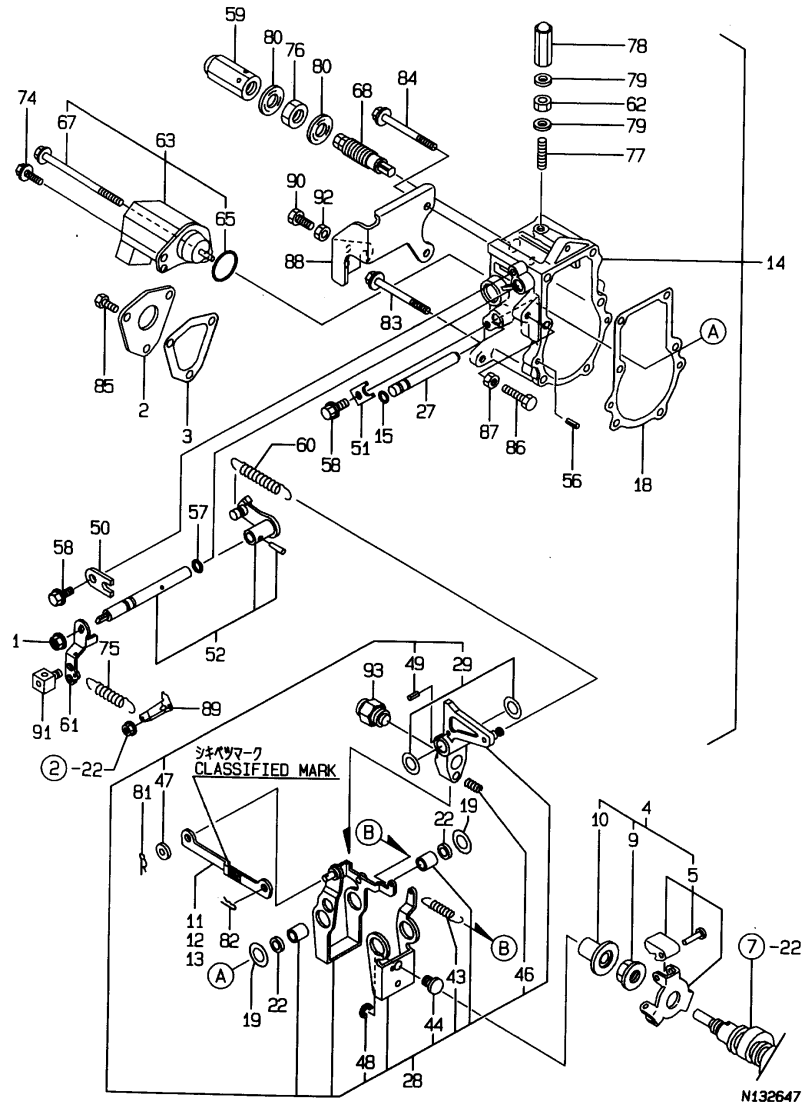
REF.	LEV.	PARTS NO.	DESCRIPTION	Q'TY						I	R
				(A)	(B)	(C)	(D)	(E)	(F)		
1	1	194990-22050	NUT W/WASHER 8	1							
2	1	119660-61060	COVER, GOVERNOR CASE	1							
3	1	119660-61071	GASKET, (NON-ASB.)	1							
4	1	119600-61100	DRIVING SET, GOV.	1							
5	2	119600-61200	WEIGHT ASSY, GOV.	1							
9	2	119660-61300	NUT, GOVERNOR WEIGHT	1							
10	2	119660-61341	SLEEVE, GOVERNOR	1							
11	1	119660-61121	LINK L=88.8(NO COLOR)	1							1
12	1	119660-61140	LINK L=88.6(WHITE)	1							1
13	1	119660-61150	LINK L=89.0(RED)	1							1
14	1	119288-61200	CASE ASSY, GOVERNOR	1							
15	2	129155-51280	O-RING S6	1							
18	2	119660-61052	GASKET, (NON-ASB.)	1							
19	2	119660-61460	SHIM SET	1							
22	2	129155-61480	SPACER ASSY	2							
27	2	119660-61491	SHAFT,GOVERNOR LEVER	1							
28	2	119288-61510	LEVER ASSY, GOVERNOR	1							
29	3	174307-51700	SHIM SET	2							
43	3	119232-61540	SPRING, LEVER	1							
44	3	119600-61541	SHIFTER,P.T.O.	1							
46	3	119600-61650	SPRING, STARTING	1							
47	3	22117-040000	WASHER 4	1							
48	3	22272-000040	CIRCLIP E- 4	1							
49	3	22351-030014	SPRING PIN 3X14	1							
50	2	119600-61900	RETAINER, SHAFT	1							
51	2	119660-61901	RETAINER, SHAFT	1							
52	2	119285-66080	SHAFT ASSY,REGULATOR	1							
56	2	22351-040010	SPRING PIN 4X10	2							
57	2	24341-000070	O-RING 1A S-7.0	1							
58	2	26106-060102	BOLT 6X 10 PLATED	2							
59	1	129100-61930	NUT, CAP	1							
60	1	119600-66020	SPRING, REGULATOR	1							
61	1	119621-66051	LEVER, REGULATOR	1							
62	1	124550-66370	LOCK NUT M 6	1							
63	1	119285-66500	STOP DEVICE, ENGINE	1							
65	2	24341-000280	O-RING 1A S-28.0	1							
67	2	26106-060952	BOLT M 6X 95 PLATED	1							
68	1	119650-66510	LIMITER COMP.,FUEL	1							
74	1	121465-59950	BOLT M 6X 16, PLATED	1							
75	1	119840-61870	SPRING	1							
76	1	26776-120002	LOCK NUT M12 PLATED	1							
77	1	121575-66830	SCREW, ADJUST	1							
78	1	119600-66840	NUT, CAP	1							
79	1	22190-060003	SEAL WASER 6	2							
80	1	22190-120002	SEAL WASHER 12	2							
81	1	22360-040000	SNAP PIN 4	1							
82	1	22360-060000	SNAP PIN 6	1							
83	1	26106-060702	BOLT M 6X 70 PLATED	3							
84	1	26106-060752	BOLT M 6X 75 PLATED	2							
85	1	26116-050102	BOLT M 5X 10 PLATED	3							
86	1	26116-060304	BOLT M 6X 30 PLATED	1							

Fig.12. GOVERNOR

(A)=3TNE68-UMFP
(B)=
(C)=

(D)=
(E)=
(F)=

12. GOVERNOR



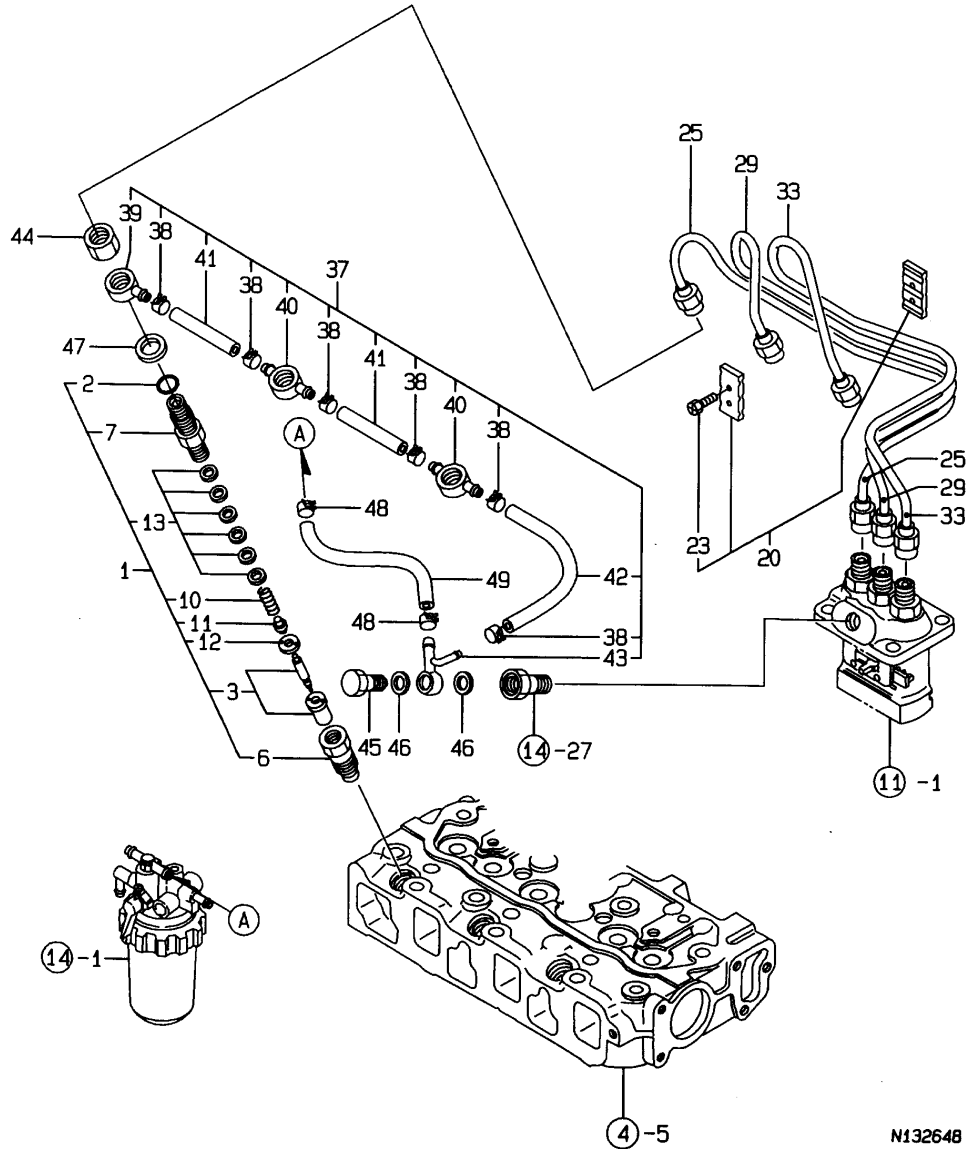
REF.	LEV.	PARTS NO.	DESCRIPTION	QTY						I	R
				(A)	(B)	(C)	(D)	(E)	(F)		
87	1	26756-060002	LOCK NUT 6	1							
88	1	119259-66900	SUPPORT, ACCEL STOP	1							
89	1	119656-66910	HOOK	1							
90	1	102100-67080	BOLT, ADJUSTING	1							
91	1	124756-67510	RETAINER, WIRE	1							
92	1	26756-060002	LOCK NUT 6	1							
93	1	119654-66700	ANGLEIGH ASSY	1							

Remarks

(1) SELECTIVE PARTS: CERTAIN THE CLASSIFICATION MARK, THEN PLACE YOUR ORDER(REFER TO ILLUSTRATION) (REMARKS)"EFFECTIVE MACHINE NO." OF ENGINE IS INDICATED ON THE ENGINE LABEL WHICH IS SHOWN IN FIG.4.

Fig.13. FUEL OIL INJECTION VALVE

13. FUEL OIL INJECTION VALVE



(A)=3TNE68-UMFP

(B)=

(C)=

(D)=

(E)=

(F)=

REF.	LEV.	PARTS NO.	DESCRIPTION	QTY						I	R
				(A)	(B)	(C)	(D)	(E)	(F)		
1	1	719255-53100	FUEL INJECT.VALVE AS	3							
2	2	129155-61830	O-RING S10	3							
3	2	119620-53000	NOZZLE ASSY,F.INJECT	3							
6	2	119620-53080	NUT, VALVE W/CASE	3							
7	2	119255-53100	HOLDER,NOZZLE	3							
10	2	119620-53120	SPRING, VALVE	3							
11	2	114250-53130	SEAT, NOZZLE SPRING	3							
12	2	119620-53140	SPACER, VALVE STOP	3							
13	2	114250-53400	SHIM PACK	3							
20	1	129150-59120	RETAINER, INJ. PIPE	1							
23	2	129150-59131	BOLT M4X14,HEX.SCKT.	2							
25	1	119209-59810	PIPE (1),FUEL INJECT	1							
29	1	119209-59820	PIPE (2),FUEL INJECT	1							
33	1	119209-59830	PIPE (3),FUEL INJECT	1							
37	1	119642-59540	PIPE ASSY, FUEL OVER	1							
38	2	124066-59100	CLAMP 8	6							
39	2	119260-59520	JOINT (B)	1							
40	2	119260-59530	JOINT (A)	2							
41	2	105025-59550	PIPE, FUEL RETURN	2							
42	2	119642-59550	PIPE, FUEL RETURN	1							
43	2	119642-59570	JOINT,OVER FLOW PIPE	1							
44	1	119620-59700	NUT	3							
45	1	124550-59820	BOLT 8, PIPE JOINT	1							
46	1	23414-080012	GASKET 8	2							
47	1	23414-140000	GASKET 14, ROUND	3							
48	1	124766-59050	CLAMP 12	2							
49	1	119225-59560	PIPE, FUEL OIL	1							

Remarks
 (REMARKS)"EFFECTIVE MACHINE NO." OF
 ENGINE IS INDICATED ON THE
 ENGINE LABEL WHICH IS SHOWN
 IN FIG.4.

Fig.14. FUEL OIL LINE

(A)=3TNE68-UMFP

(B)=

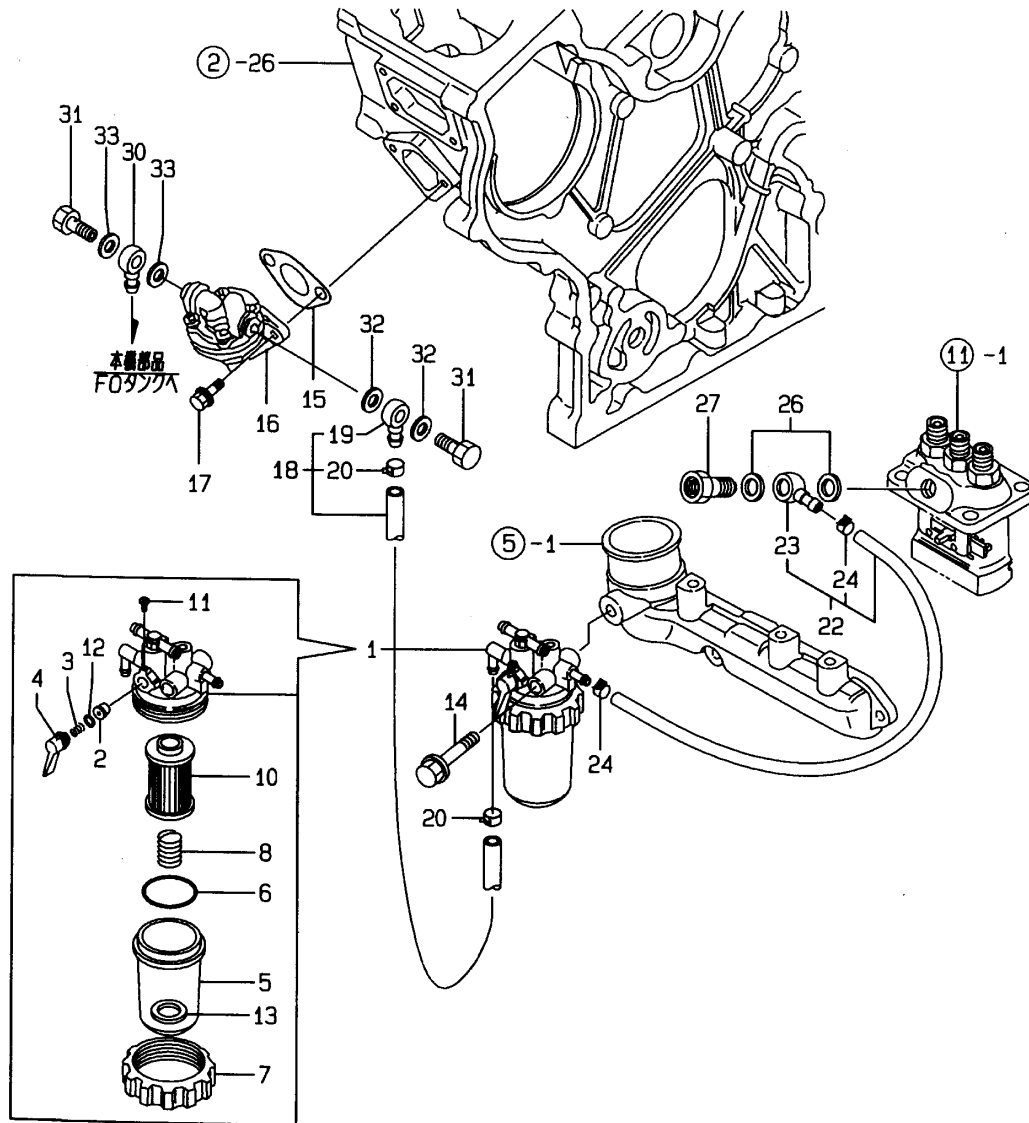
(C)=

(D)=

(E)=

(F)=

14. FUEL OIL LINE

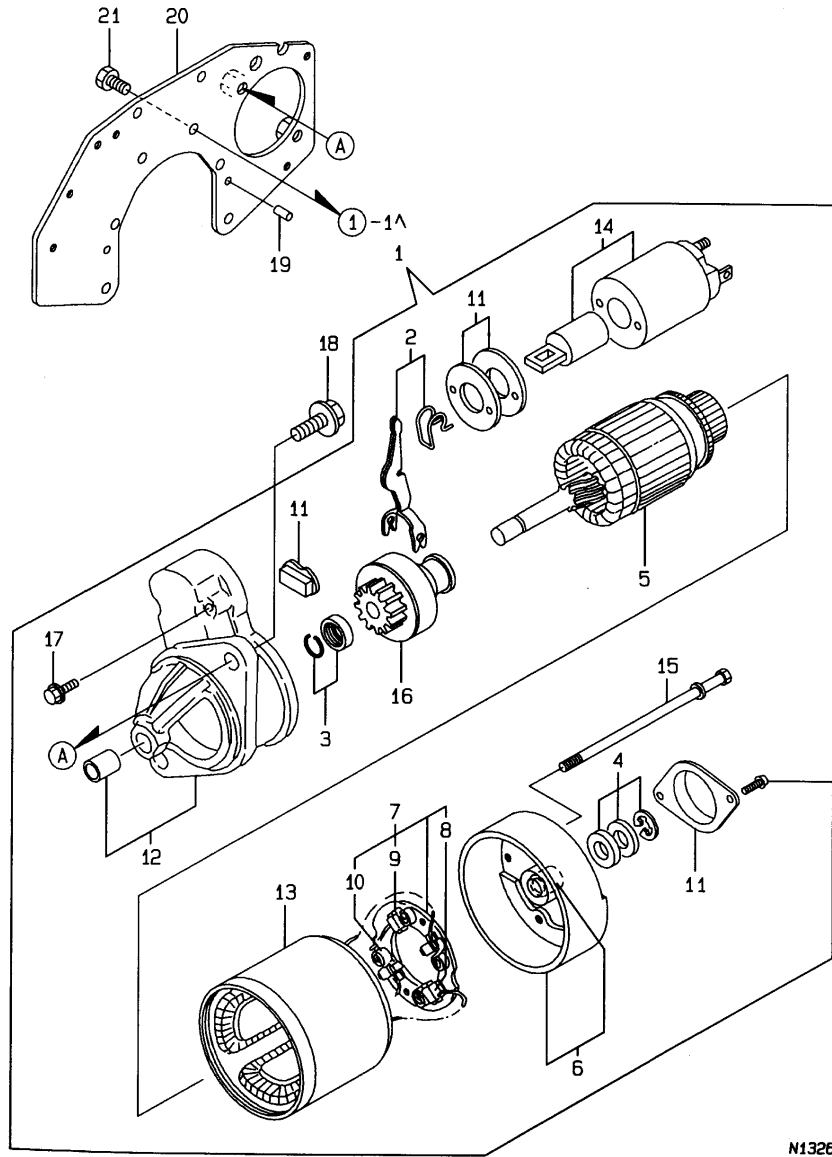


REF.	LEV.	PARTS NO.	DESCRIPTION	QTY						I	R
				(A)	(B)	(C)	(D)	(E)	(F)		
1	1	119258-55621	F.O.FILTER ASSY	1							
2	2	104200-55321	VALVE, TAPER	1							
3	2	104200-55330	SPRING, TAPER VALVE	1							
4	2	119810-55340	LEVER	1							
5	2	121254-55510	CUP, STRAINER	1							
6	2	102103-55520	O-RING	1							
7	2	110250-55610	RING, RETAINING	1							
8	2	121257-55720	SPRING, SCREEN	1							
10	2	104500-55710	ELEMENT, FUEL	1							
11	2	104200-55750	SCREW M 4	1							
12	2	24311-240100	O-RING 1A P-10A	1							
13	2	121257-55731	FLOAT	1							
14	1	26014-080702	BOLT W/WASHER M8X 70	1							
15	1	121520-01851	GASKET, (NON-ASB.)	1							
16	1	119600-52021	PUMP ASSY, FUEL FEED	1							
17	1	26014-060202	BOLT M 6X 20	2							
18	1	119244-59020	PIPE W/JOINT, FUEL	1							
19	2	104264-59030	JOINT 8, PIPE	1							
20	2	124766-59050	CLAMP 12	2							
22	1	119225-59040	PIPE ASSY, FUEL OIL	1							
23	2	101304-59020	JOINT 12, PIPE	1							
24	2	124766-59050	CLAMP 12	2							
26	1	104200-59170	GASKET 12	2							
27	1	119462-59190	BOLT ASSY, PIPE JOINT	1							
30	1	104264-59030	JOINT 8, PIPE	1							
31	1	105582-59150	BOLT, PIPE JOINT	2							
32	1	22190-080002	SEAL WASHER 8S	2							
33	1	22190-080002	SEAL WASHER 8S	2							

Remarks
 (REMARKS)"EFFECTIVE MACHINE NO." OF
 ENGINE IS INDICATED ON THE
 ENGINE LABEL WHICH IS SHOWN
 IN FIG.4.

Fig.15. STARTING MOTOR

15. STARTING MOTOR



N132650

Remarks
 (REMARKS)"EFFECTIVE MACHINE NO." OF
 ENGINE IS INDICATED ON THE
 ENGINE LABEL WHICH IS SHOWN
 IN FIG.4.

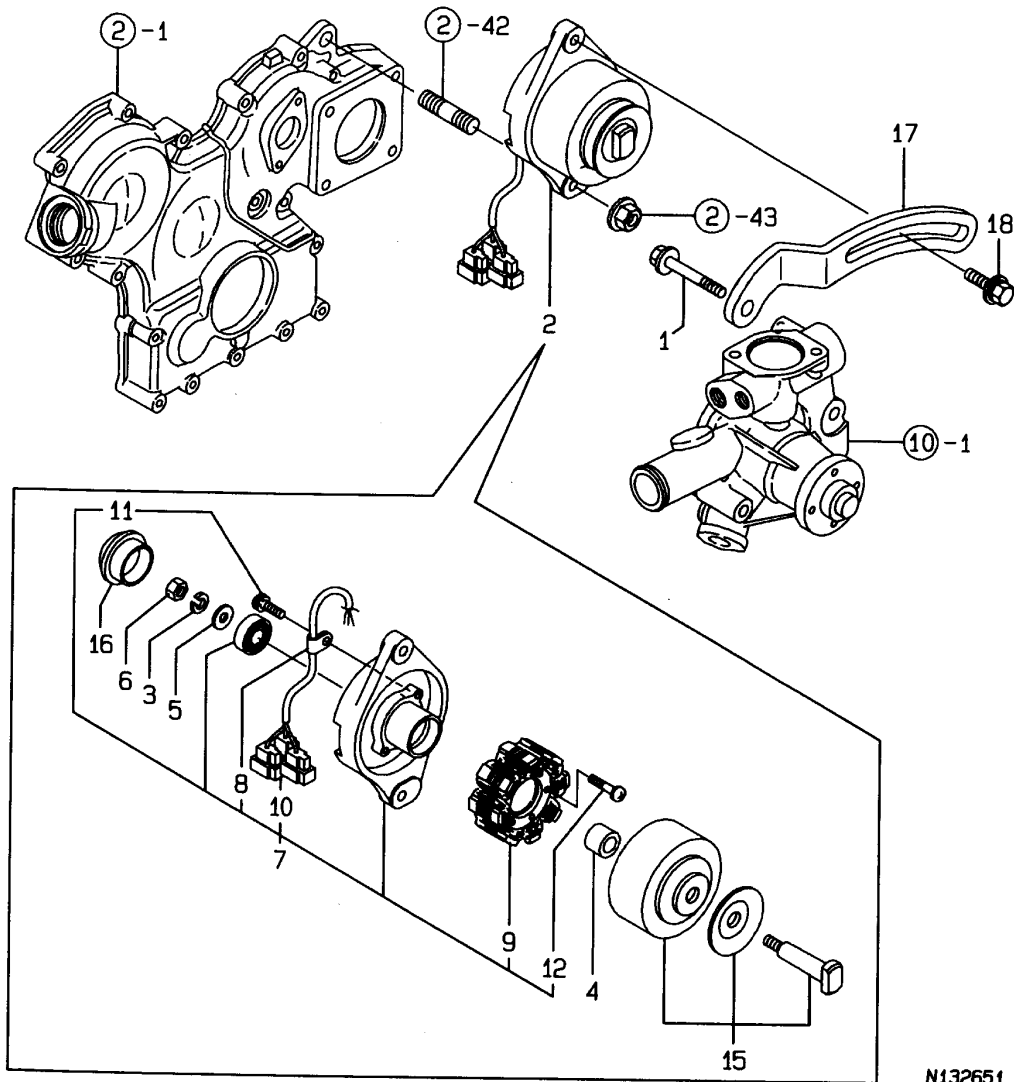
(A)=3TNE68-UMFP
 (B)=
 (C)=

(D)=
 (E)=
 (F)=

REF.	LEV.	PARTS NO.	DESCRIPTION	QTY						I	R
				(A)	(B)	(C)	(D)	(E)	(F)		
1	1	119631-77011	STARTING MOTOR	1							
2	2	114371-77180	SHIFT LEVER KIT	1							
3	2	X2114715500	STOPPER SET, PINION	1							
4	2	X2114811000	WASHER KIT, THRUST	1							
5	2	114371-77110	ARMATURE	1							
6	2	114371-77140	COVER ASSY, REAR	1							
7	2	114371-77160	HOLDER ASSY, BRUSH	1							
8	3	114371-79040	BRUSH (-)	2							
9	3	114371-79050	BRUSH (+)	1							
10	3	114371-79060	SPRING, BRUSH	4							
11	2	114371-77170	COVER KIT, DUST	1							
12	2	119631-77651	CASE, GEAR	1							
13	2	124097-77710	YOKE ASSY.	1							
14	2	X2114275010	SWITCH ASSY, MAGNET	1							
15	2	124195-77770	THROUGH BOLT	2							
16	2	119631-77780	PINION CMP	1							
17	2	114371-79070	BOLT M 6X 37	2							
18	1	26116-120302	BOLT M12X 30 PLATED	2							
19	1	129100-01580	PARALLEL PIN 8X16	2							
20	1	119258-77060	BRACKET(STARTOR)	1							
21	1	26206-100202	BOLT M10X20	6							

Fig.16. GENERATOR

16. GENERATOR



N132651

Remarks
 (REMARKS)"EFFECTIVE MACHINE NO." OF
 ENGINE IS INDICATED ON THE
 ENGINE LABEL WHICH IS SHOWN
 IN FIG.4.

(A)=3TNE68-UMFP

(B)=

(C)=

(D)=

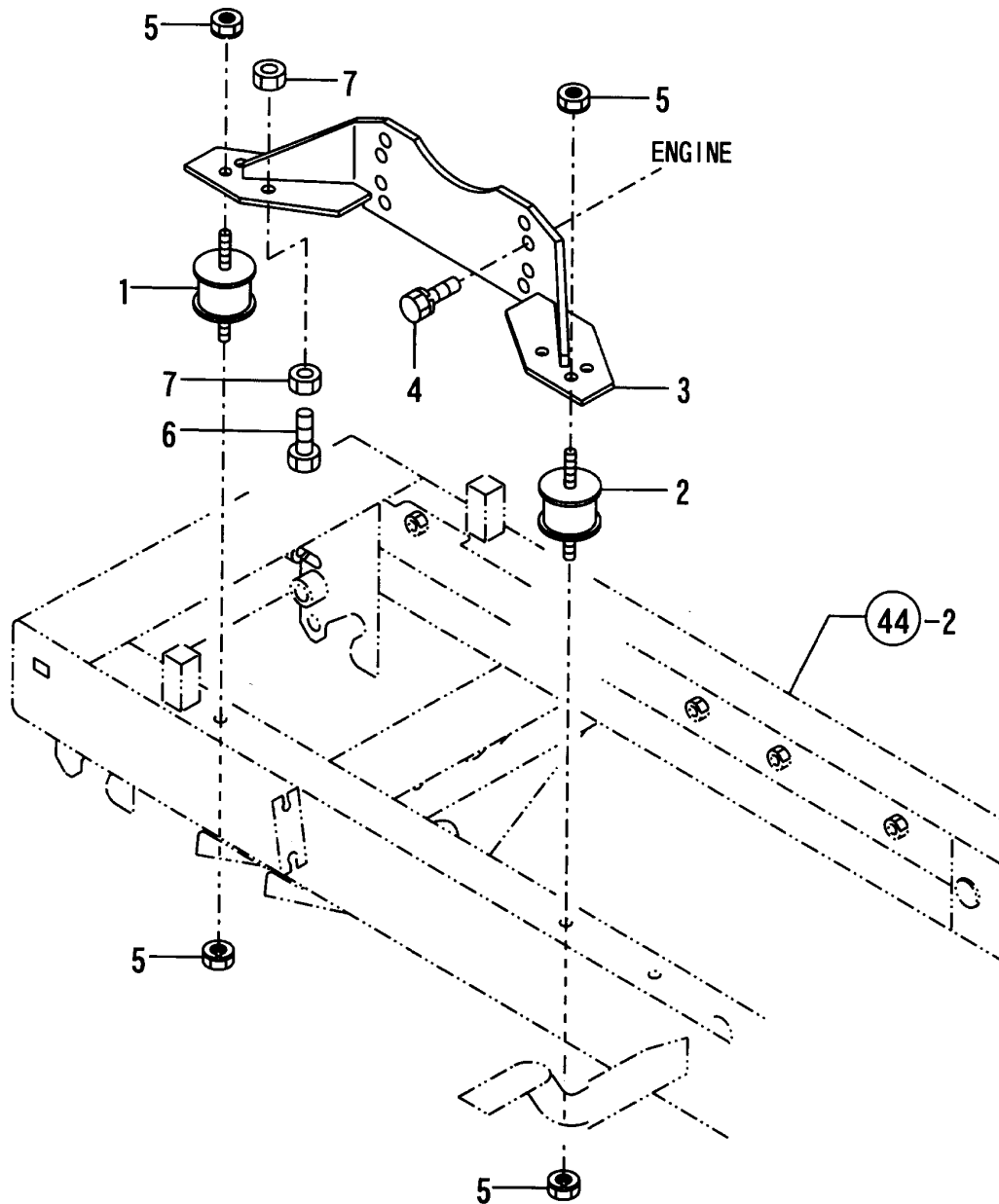
(E)=

(F)=

REF.	LEV.	PARTS NO.	DESCRIPTION	QTY						I	R
				(A)	(B)	(C)	(D)	(E)	(F)		
1	1	26106-080162	BOLT M 8X 16 PLATED	1							
2	1	119000-77202	GENERATOR 12V-35A	1							
3	2	XM219230000	WASHER, SPRING	1							
4	2	XM329830000	COLLAR	1							
5	2	XM860250000	WASHER 10	1							
6	2	XM863720000	NUT	1							
7	2	119000-77210	PLATE, SEAT	1							
8	3	XM069000000	CLAMP	1							
9	3	119000-77220	STATOR	1							
10	3	119000-77230	COUPLER	3							
11	3	XYSPS400800	SCREW	1							
12	3	XYSPS402400	SCREW	2							
15	2	119000-77260	FLYWHEEL ASSY	1							
16	2	XM771870000	CAP	1							
17	1	119650-77330	ADJUSTER, V-BELT	1							
18	1	26014-080252	BOLT M 8X 25	1							

Fig.17. ENGINE MOUNTING

17. ENGINE MOUNTING



0CNP3-G65800 17. ENGINE MOUNTING

(A)=LE20

(B)=

(C)=

(D)=

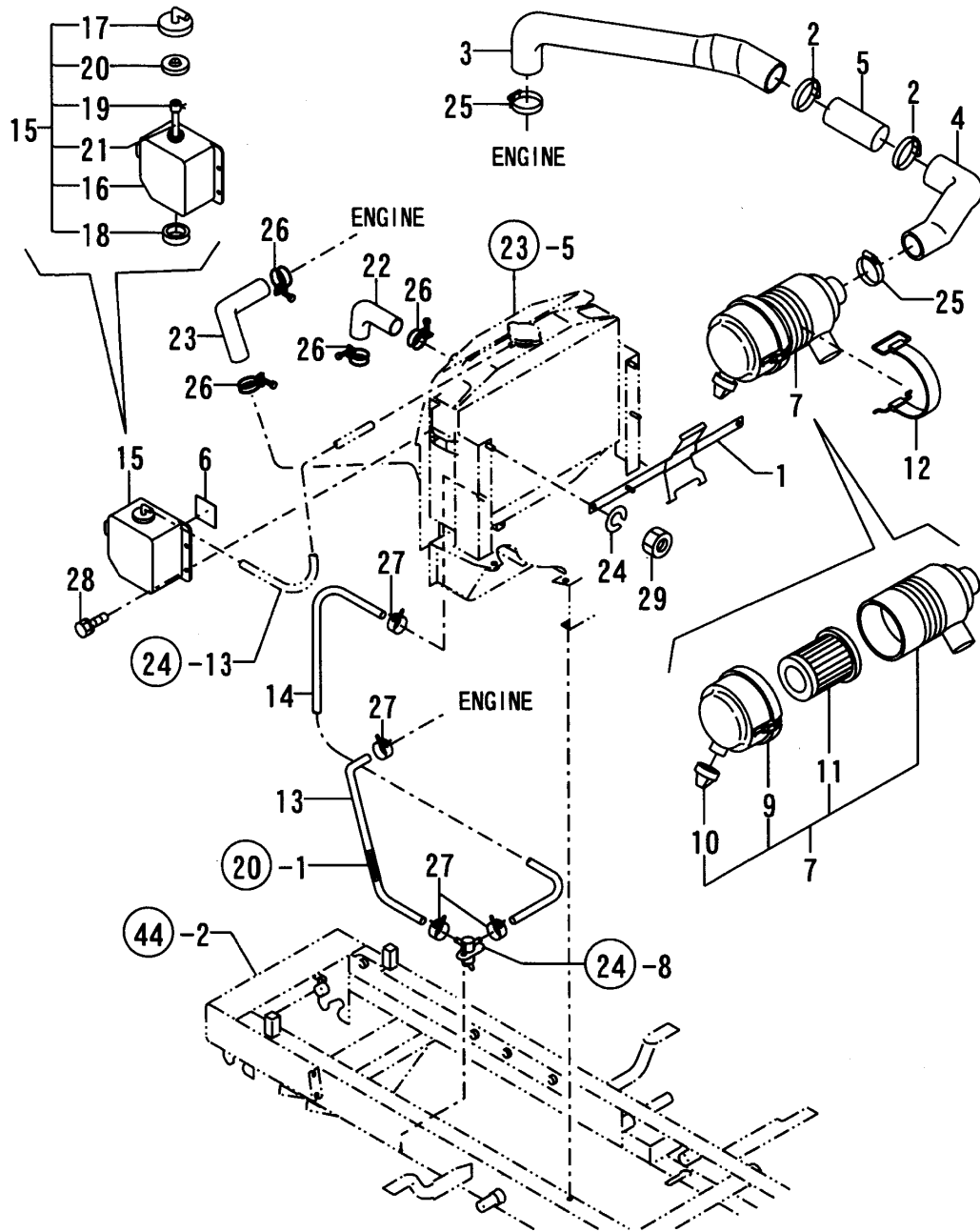
(E)=

(F)=

REF.	LEV.	PARTS NO.	DESCRIPTION	Q'TY						I	R
				(A)	(B)	(C)	(D)	(E)	(F)		
1	1	1A6150-00680	RUBBER 4006,SHK.ABS.	2							
2	1	1A6150-00700	RUBBER 1006,SHK.ABS.	2							
3	1	1A6150-00710	STAY COMP.,MOUNT	2							
4	1	26013-100202	BOLT W/WASHER M10X20	8							
5	1	26051-080002	NUT M 8	8							
6	1	26116-080352	BOLT M 8X 35	2							
7	1	26716-080002	NUT M 8	4							

Fig.18. ENGINE ACCESSORIES

18. ENGINE ACCESSORIES



OCNP3-G65800 18. ENGINE ACCESSORIES

(A)=LE20

(B)=

(C)=

(D)=

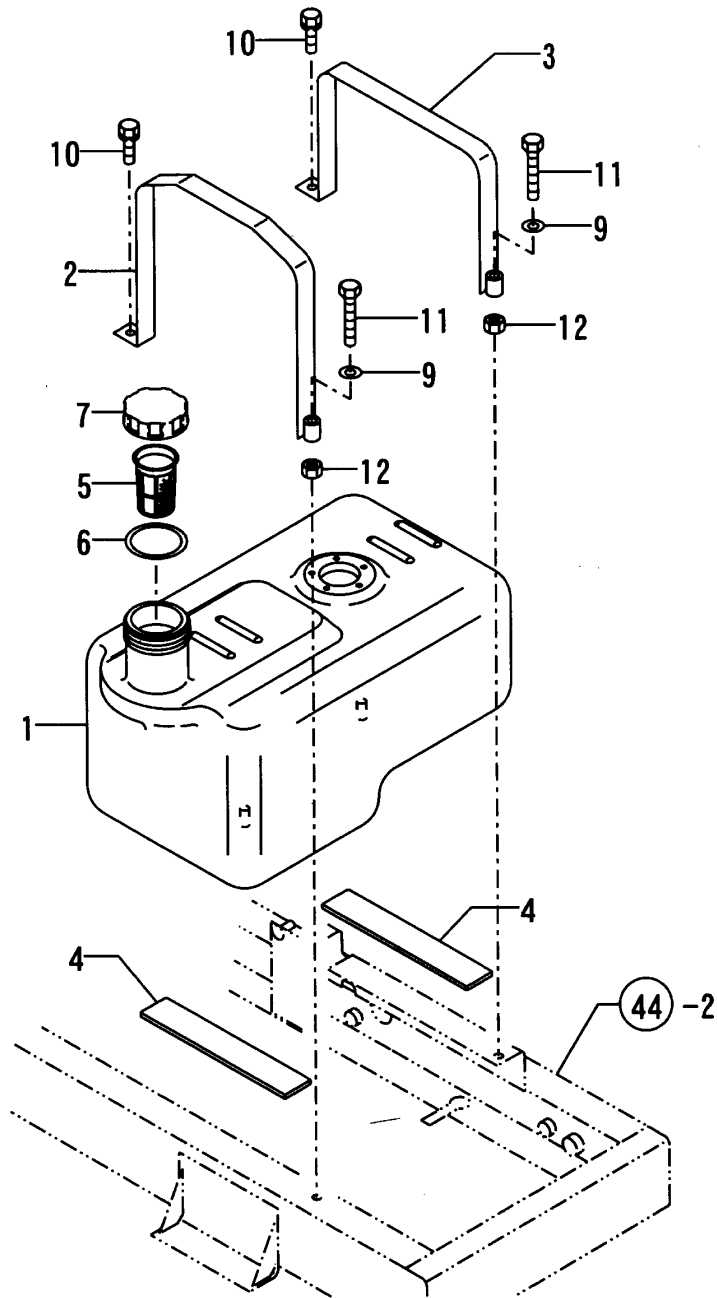
(E)=

(F)=

REF.	LEV.	PARTS NO.	DESCRIPTION	QTY						I	R
				(A)	(B)	(C)	(D)	(E)	(F)		
1	1	1A6150-02450	SUPPORT CMP.,CLEANER	1							
2	1	1A6150-02500	BAND 72X22		2						
3	1	1A6150-02510	HOSE(A), AIR INTAKE		1						
4	1	1A6150-02520	HOSE(B), AIR INTAKE		1						
5	1	1A6150-02530	PIPE (C), AIR INTAKE		1						
6	1	1A6157-02550	TAPE 50X50,PROTECT		1						
7	1	119258-12500	CLEANER ASSY, AIR		1						
9	2	119258-12530	COVER ASSY.		1						
10	2	119808-12540	VALVE, UNLOADER		1						
11	2	119655-12560	ELEMENT		1						
12	1	119865-12600	STAY		1						
13	1	172122-14610	PIPE (B), FUEL		1						
14	1	172734-14620	PIPE L=300, FUEL		1						
15	1	121468-44510	SUB-TANK ASSY		1						
17	2	121450-44531	CAP		1						
18	2	121468-44540	PLUG, SUB-TANK		1						
19	2	124450-44560	CLAMP		1						
20	2	121470-44581	GASKET		1						
21	2	23065-070130	PIPE 7X 130		1						
22	1	119258-49010	TUBE A, WATER		1						
23	1	119258-49020	TUBE B, WATER		1						
24	1	22217-080000	SPRING WASHER 8		2						
25	1	23000-054000	CLAMP 54		2						
26	1	23010-038000	CLAMP 38		4						
27	1	23080-012000	CLAMP 12		4						
28	1	26018-060202	BOLT M 6X 20		2						
29	1	26716-080002	NUT M 8		2						

Fig.19. FUEL TANK

19. FUEL TANK



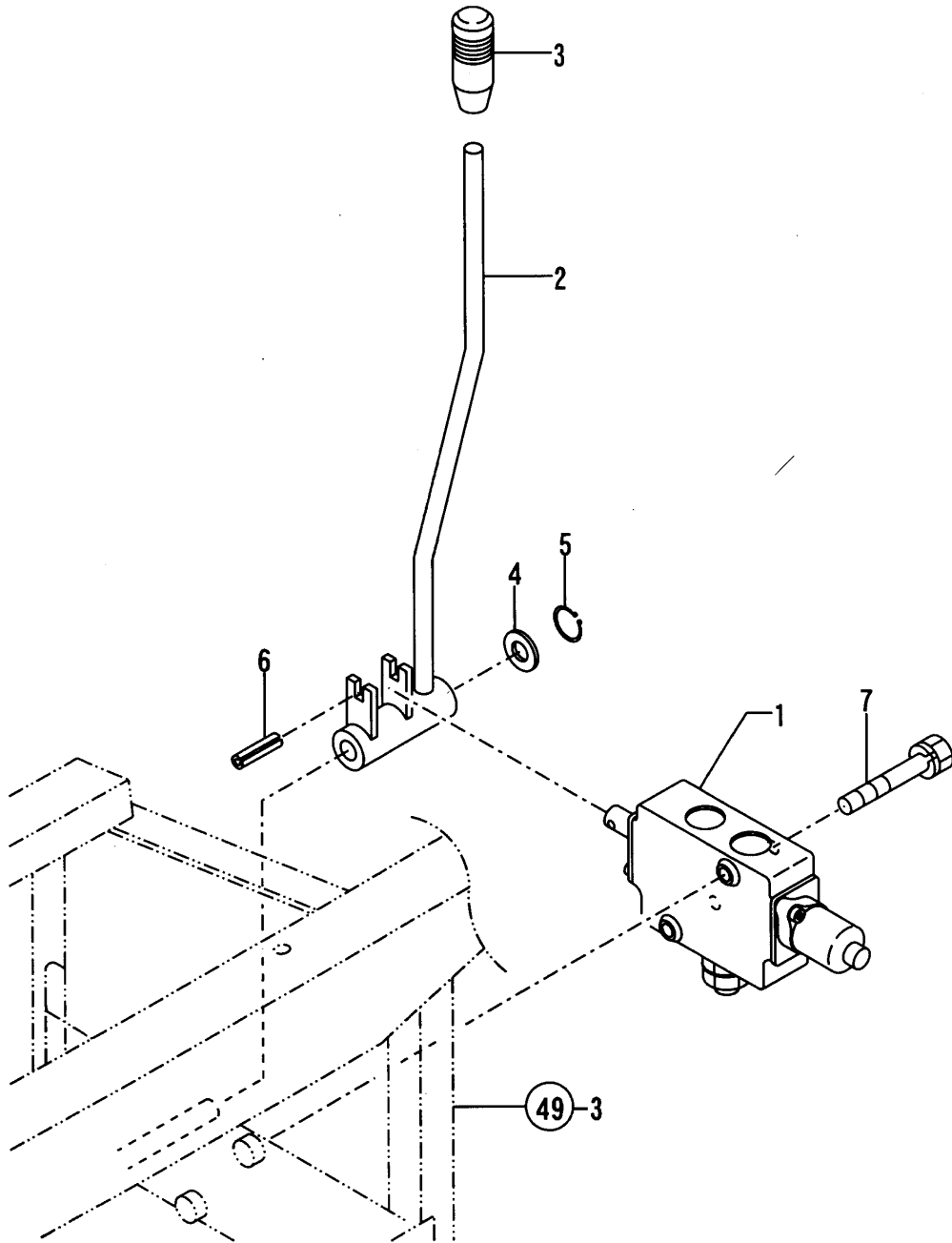
(A)=LE20
(B)=
(C)=

(D)=
(E)=
(F)=

REF.	LEV.	PARTS NO.	DESCRIPTION	QTY						I	R	
				(A)	(B)	(C)	(D)	(E)	(F)			
1	1	1A6150-03100	FUEL TANK	1								
2	1	1A6150-03151	BAND L CMP.,FUEL TK.	1								
3	1	1A6150-03171	BAND R CMP.,FUEL TK.	1								
4	1	1A6150-03211	FELT 200X36X75	2								
5	1	194151-04141	STRAINER, FUEL	1								
6	1	194151-04150	GASKET	1								
7	1	194250-04301	CAP, TANK	1								
9	1	22137-080000	WASHER 8, POLISHED	2								
10	1	26013-080162	BOLT W/WASHER M8X16	2								
11	1	26116-080604	BOLT M8X 60	2								
12	1	26716-080002	NUT M 8	2								

Fig.21. CONTROL VALVE

21. CONTROL VALVE



0CNP3-G65800 21. CONTROL VALVE

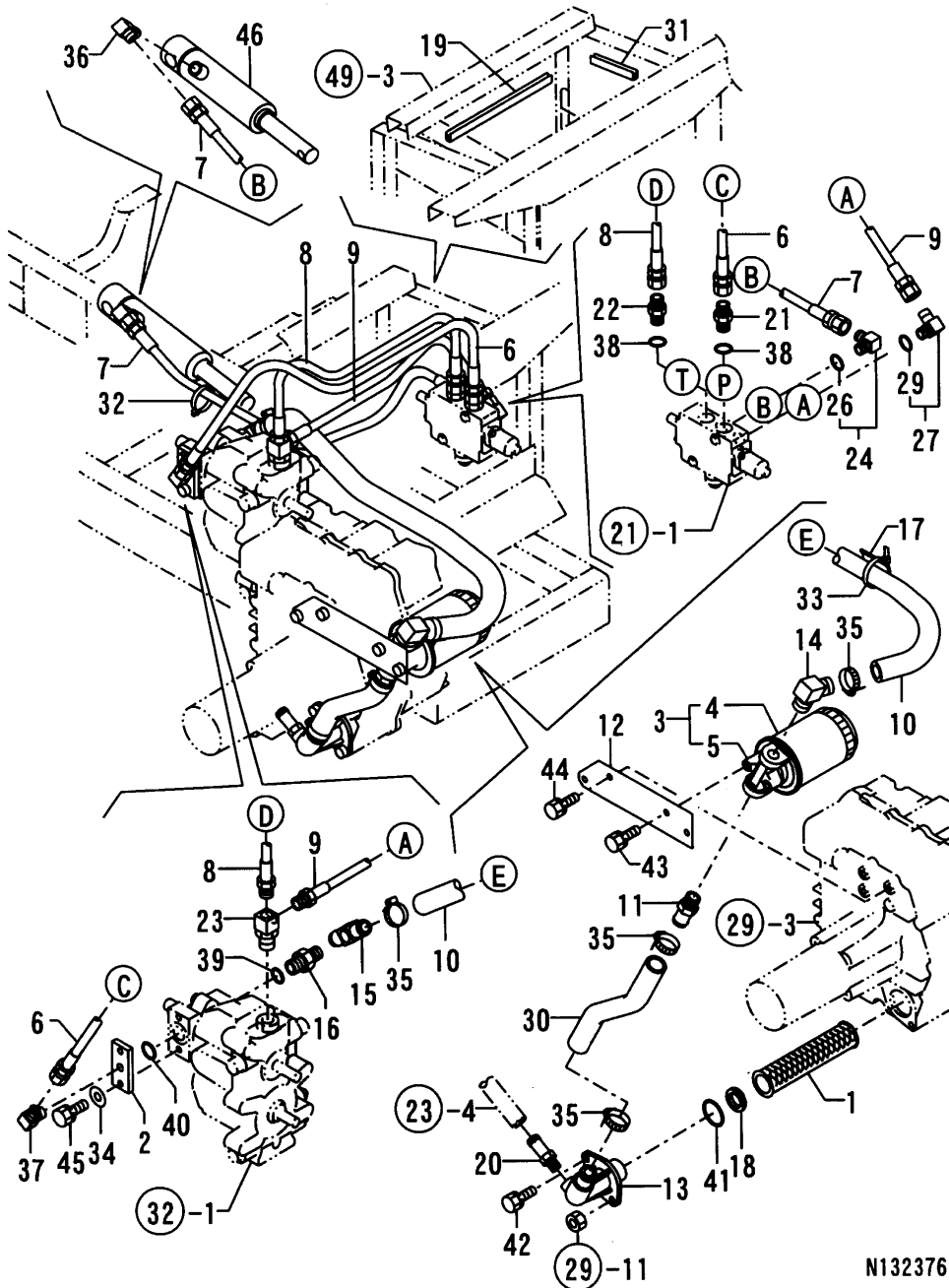
(A)=LE20
(B)=
(C)=

(D)=
(E)=
(F)=

REF.	LEV.	PARTS NO.	DESCRIPTION	Q'TY						I	R
				(A)	(B)	(C)	(D)	(E)	(F)		
1	1	1A6150-04010	VALVE,CONTROL	1							
2	1	1A6150-04250	LEVER, HYDRAULIC	1							
3	1	1E6570-65751	GRIP,CONTROL LEVER	1							
4	1	22117-120000	WASHER 12	1							
5	1	22242-000120	CIRCLIP 12	1							
6	1	22351-050032	SPRING PIN 5X32	1							
7	1	26013-080502	BOLT M 8X 50	2							

Fig.22. HYDRAULIC PIPINGS & CYLINDER

22 . HYDRAULIC PIPINGS & CYLINDER



N132376

(A)=LE20

(B)=

(C)=

(D)=

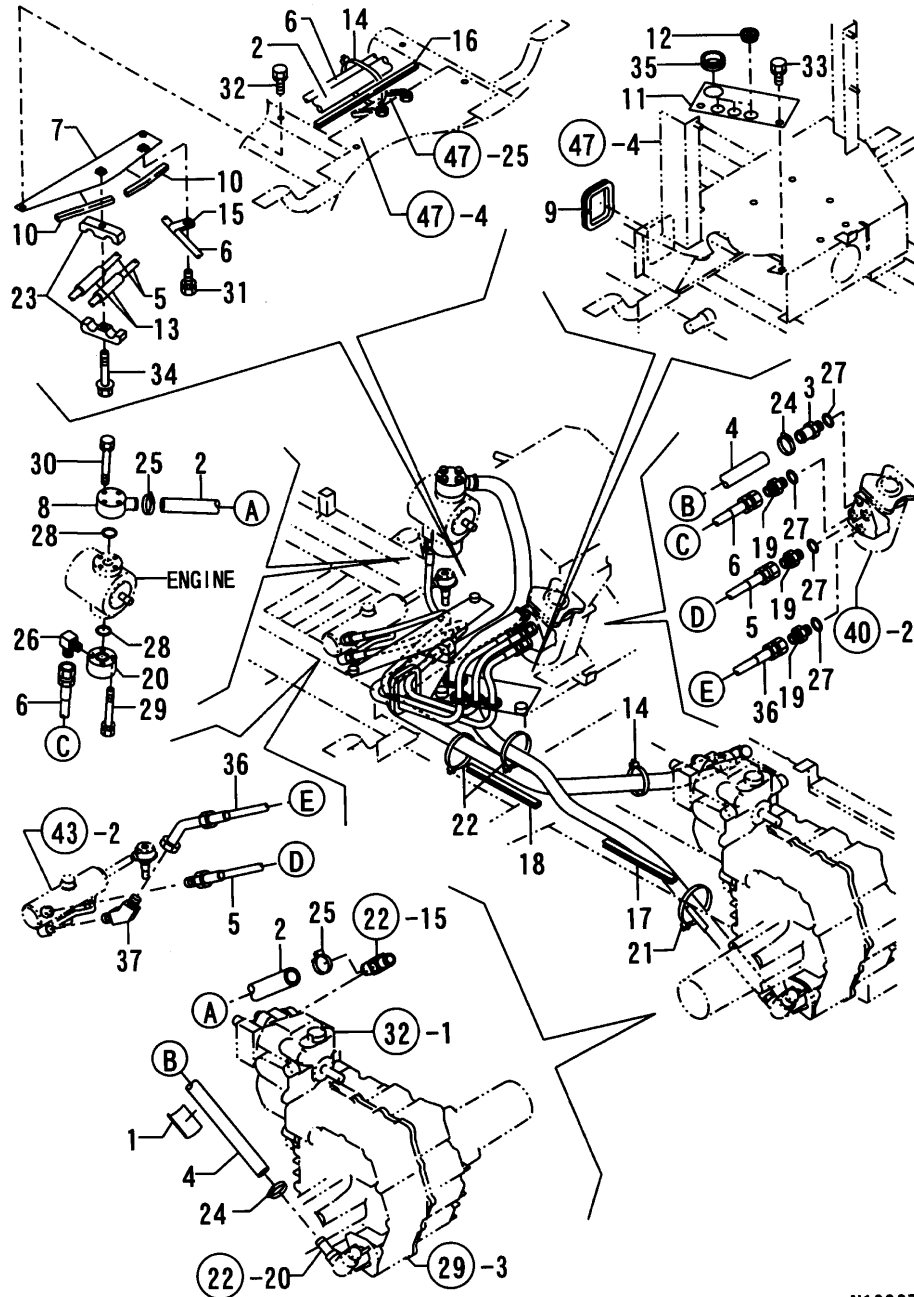
(E)=

(F)=

REF.	LEV.	PARTS NO.	DESCRIPTION	Q'TY						I	R
				(A)	(B)	(C)	(D)	(E)	(F)		
1	1	1A6150-05080	STRAINER,200-MESH	1							
2	1	1A6150-05310	FLANGE R1/4	1							
3	1	1A6150-05450	OIL FILTER	1							
4	2	1E8130-66791	ELEMENT COMPL.	1							
5	2	172156-73720	COVER ASSY	1							
6	1	1A6150-05520	HOSE P204BB070	1							
7	1	1A6150-05520	HOSE P204BB070	1							
8	1	1A6150-05530	HOSE P204AB046	1							
9	1	1A6150-05530	HOSE P204AB046	1							
10	1	1A6157-05570	HOSE B,L.P.RUBBER	1							
11	1	1A6150-05580	JOINT PT1/2X20	1							
12	1	1A6150-05601	FILTER STAY	1							
13	1	1A6157-05650	FLANGE, FILTER	1							
14	1	1A6157-05670	ELBOW PT1/2,90	1							
15	1	1A6157-05750	NIPPLE PT3/8	1							
16	1	1A6157-05760	ADAPTOR 1/2-3/8	1							
17	1	1E8350-33850	SEAL 30X50,DUST	2							
18	1	194630-48930	GROMMET 25	1							
19	1	172162-61870	RUBBER 200,EDGE	1							
20	1	172637-76110	ADAPTER, DRAIN	1							
21	1	172123-76120	CONNECTOR PF1/4	1							
22	1	172123-76120	CONNECTOR PF1/4	1							
23	1	172519-76140	CONNECTOR 3/8-53	1							
24	1	172141-76180	CONNECTOR	1							
26	2	24315-000110	O-RING 1B P-11.0	1							
27	1	172141-76180	CONNECTOR	1							
29	2	24315-000110	O-RING 1B P-11.0	1							
30	1	172631-78220	HOSE, SUCTION	1							
31	1	172165-79800	RUBBER 150	1							
32	1	1E6102-84960	BAND 250,WIRE LOCK	1							
33	1	1E6102-84960	BAND 250,WIRE LOCK	1							
34	1	22137-080000	WASHER 8, POLISHED	2							
35	1	23000-035000	CLAMP 35	4							
36	1	23393-020000	JOINT 90RG1/4	1							
37	1	23393-020000	JOINT 90RG1/4	1							
38	1	24311-000110	O-RING 1A P-11.0	2							
39	1	24311-000180	O-RING 1A P-18.0	1							
40	1	24311-000200	O-RING 1A P-20.0	1							
41	1	24341-000480	O-RING 1A S-48.0	1							
42	1	26013-080202	BOLT W/WASHER M8X20	1							
43	1	26013-080202	BOLT W/WASHER M8X20	2							
44	1	26013-080202	BOLT W/WASHER M8X20	2							
45	1	26013-080302	BOLT M 8X 30	2							
46	1	1A6150-05150	CYLINDER 35X88,HYD.	1							

Fig.23. HYDRAULICPIPING(PST)

23. HYDRAULICPIPING(PST)



(A)=LE20

(B)=

(C)=

(D)=

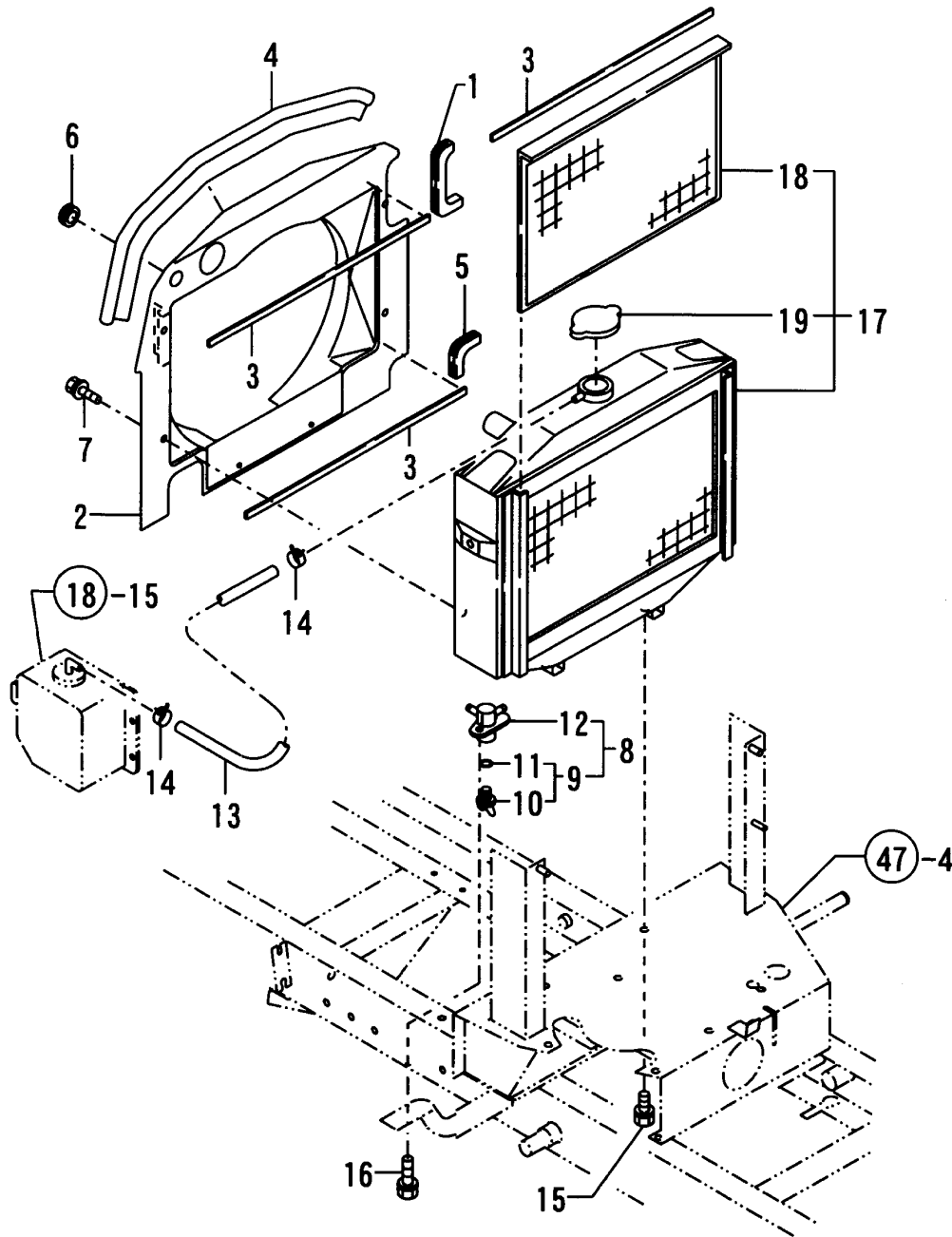
(E)=

(F)=

REF.	LEV.	PARTS NO.	DESCRIPTION	QTY						I	R
				(A)	(B)	(C)	(D)	(E)	(F)		
1	1	1A6157-02550	TAPE 50X50,PROTECT	1							
2	1	1A6157-05780	HOSE C,RUBBER	1							
3	1	1A6157-05800	NIPPLE PF1/4	1							
4	1	1A6157-05820	HOSE E,LP RUBBER	1							
5	1	1A6157-05890	HOSE ,04X95,HIGH-PRES	1							
6	1	1A6157-05900	HOSE ,04X87,HIGH-PRES	1							
7	1	1A6157-05910	STAY CMP.,HOSE	1							
8	1	1A6157-05950	FLANGE CMP.	1							
9	1	1A6157-05980	RUBBER	1							
10	1	172156-11150	SEAL, ENGINE	2							
11	1	1A6157-25360	PLATE,HOSE KEEP	1							
12	1	1A6157-25370	GROMMET 22,W/FILM	3							
13	1	1A6157-27550	RUBBER	2							
14	1	1A1490-40540	BAND 180,WIRE LOCK	2							
15	1	172183-46440	CLAMP WRC10	1							
16	1	172147-62290	SEAL	1							
17	1	172146-62890	RUBBER	1							
18	1	172146-62890	RUBBER	1							
19	1	172123-76120	CONNECTOR PF1/4	3							
20	1	172519-76120	FLANGE	1							
21	1	1E6102-84960	BAND 250,WIRE LOCK	1							
22	1	1E6102-84970	BAND 140,WIRE LOCK	2							
23	1	198525-89960	CLAMP 9X9,HOSE	2							
24	1	23000-025000	CLAMP 25	2							
25	1	23000-035000	CLAMP 35	2							
26	1	23393-020000	JOINT 90RG1/4	1							
27	1	24311-000110	O-RING 1A P-11.0	4							
28	1	24311-000200	O-RING 1A P-20.0	2							
29	1	26013-060402	BOLT M 6X 40	3							
30	1	26013-060402	BOLT M 6X 40	3							
31	1	26013-080162	BOLT W/WASHER M8X16	1							
32	1	26013-080162	BOLT W/WASHER M8X16	2							
33	1	26013-100162	BOLT M10X 16	2							
34	1	26018-080502	BOLT M 8X 50	1							
35	1	933171-15680	GROMMET 40X13	1							
36	1	1A6157-05880	HOSE 404BE095S	1							
37	1	23394-020000	JOINT 45RG1/4	1							

Fig.24. RADIATOR

24. RADIATOR



(A)=LE20

(B)=

(C)=

(D)=

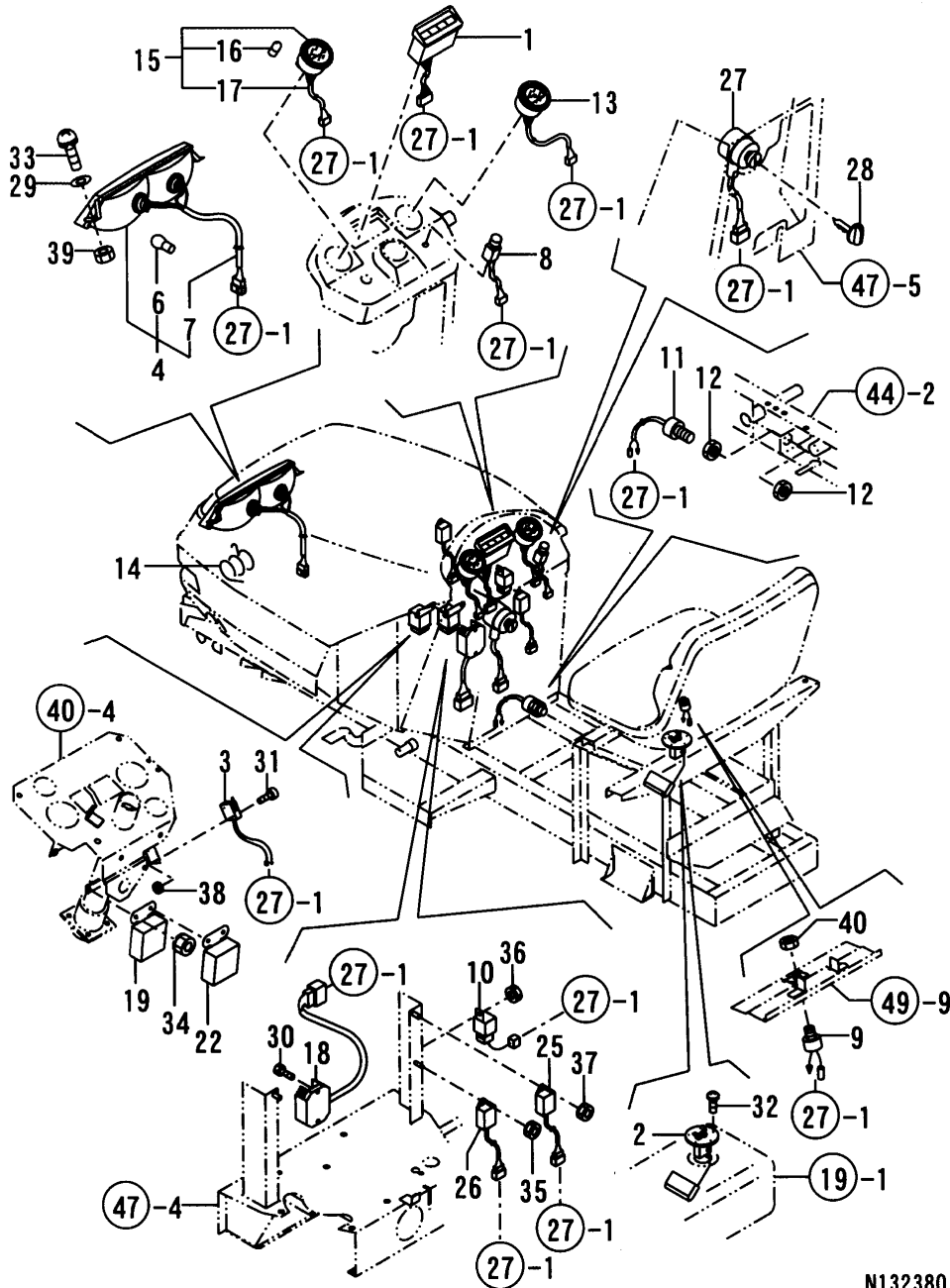
(E)=

(F)=

REF.	LEV.	PARTS NO.	DESCRIPTION	QTY						I	R
				(A)	(B)	(C)	(D)	(E)	(F)		
1	1	1A6150-02540	CUSHION,SUCTION PIPE	1							
2	1	1A6150-06201	SHROUD COMPL.	1							
3	1	1A6150-06300	SEAL 3X10X360	3							
4	1	1A6150-06350	SEAL 705	1							
5	1	1A6150-08270	CUSHION A,WR.HARNES	1							
6	1	172725-16380	GROMMET 15X20	1							
7	1	26018-060122	BOLT M 6X 12	4							
8	1	129150-49100	COCK ASSY, 3-WAY	1							
9	2	129150-49080	COCK, DRAIN	1							
10	3	119629-49070	COCK, DRAIN	1							
11	3	119629-49080	GASKET	1							
12	2	129150-49090	BODY, 3-WAY COCK	1							
13	1	124722-49160	HOSE(B), WATER DRAIN	1							
14	1	23080-012000	CLAMP 12	2							
15	1	26013-080162	BOLT W/WASHER M8X16	4							
16	1	26013-080162	BOLT W/WASHER M8X16	1							
17	1	119258-44500	RADIATOR COMPL.	1							
18	2	119650-44580	FILTER	1							
19	2	129107-44590	CAP, RADIATOR	1							

Fig.26. ELECTRICAL PARTS

26. ELECTRICAL PARTS



(A)=LE20

(B)=

(C)=

(D)=

(E)=

(F)=

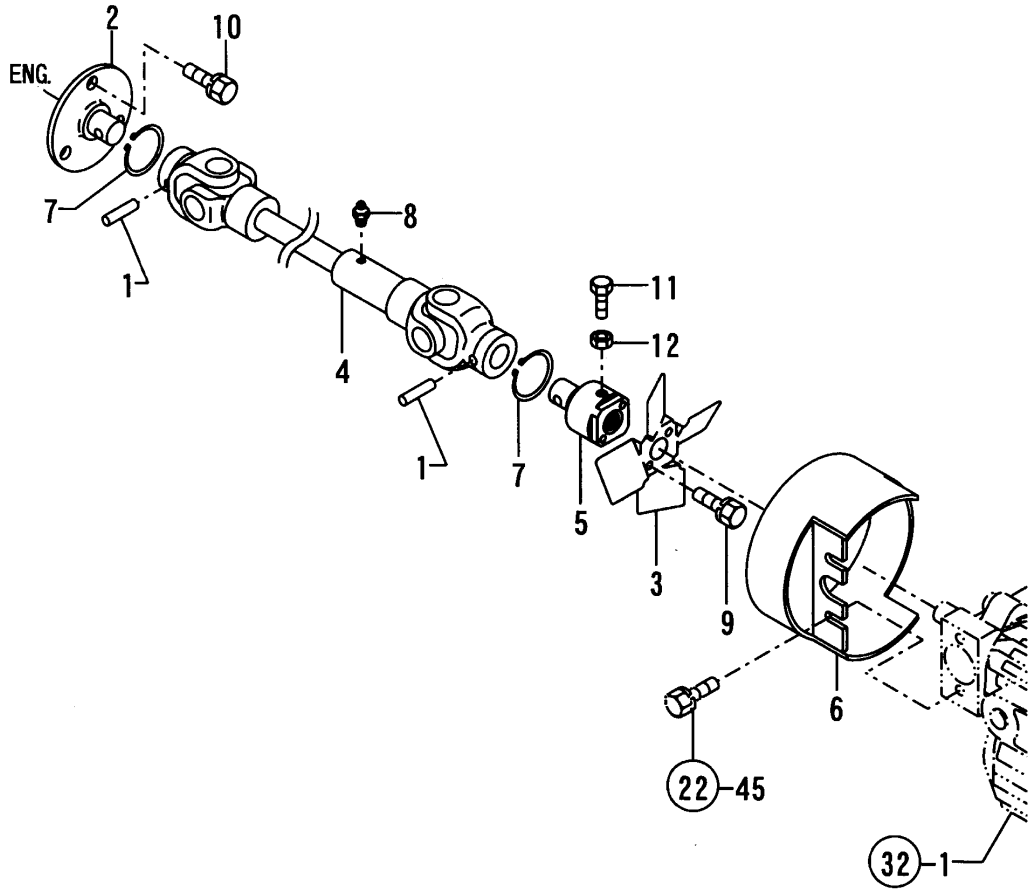
REF.	LEV.	PARTS NO.	DESCRIPTION	QTY						I	R
				(A)	(B)	(C)	(D)	(E)	(F)		
1	1	1W3851-00950	LAMP KIT	1							
2	1	1A6150-08100	GAUGE COMP.,FUEL	1							
3	1	1A6150-08180	SWITCH,P.T.O.SAFETY	1							
4	1	1W4850-10060	HEADLIGHT	1							
6	2	1W4851-20110	VALVE	2							
7	2	1W4851-40030	WIRE ASSY	1							
8	1	172162-17330	SWITCH,WIPER	1							
9	1	194450-52150	SWITCH, STOP LAMP	1							
10	1	198220-52180	RELAY, STARTER	1							
11	1	194630-52190	SWITCH, SAFETY START	1							
12	1	194630-52210	NUT M20	2							
13	1	194802-56100	HOUR-METER ASSY	1							
14	1	1A1680-56450	SPRING,DIFF.LEVER	1							
15	1	1W3852-70061	METER,FUEL	1							
16	2	1W3851-20230	BULB	1							
17	2	1W3854-70150	HARNES	1							
18	1	119000-77711	LIMITER, CURRENT	1							
19	1	119650-77910	RELAY, GROW	1							
22	1	119650-77910	RELAY, GROW	1							
25	1	119632-77920	TIMER	1							
26	1	128300-77920	TIMER	1							
27	1	1E6650-82101	SWITCH,KEY GLOW	1							
28	1	1E6650-82150	KEY,WATERPROOF	1							
29	1	22157-060000	WASHER 6	2							
30	1	26013-060252	BOLT M 6X 25	2							
31	1	26022-030252	SCREW M3X25,PAN HEAD	2							
32	1	26022-050102	SCREW M 5X 10	5							
33	1	26023-060202	SCREW M 6X 20	2							
34	1	26051-060002	NUT M 6	3							
35	1	26051-060002	NUT M 6	1							
36	1	26051-060002	NUT M 6	1							
37	1	26051-060002	NUT M 6	1							
38	1	26717-030002	NUT M 3	2							
39	1	26717-060002	NUT M 6	2							
40	1	26756-120002	LOCK NUT 12	1							

N132380

N:Old $\begin{matrix} \text{Yes} \\ \text{No} \end{matrix}$ New, Q:Old $\begin{matrix} \text{No} \\ \text{Yes} \end{matrix}$ New, R:Old $\begin{matrix} \text{Yes} \\ \text{Yes} \end{matrix}$ New, S:Old $\begin{matrix} \text{No} \\ \text{No} \end{matrix}$ New, W:Add, Z:Discontinued, F:Interchangeable by set, K:Q'ty Change

Fig.28. TRANSMISSION IN-PUT

28. TRANSMISSION IN-PUT



0CNP3-G65800 28. TRANSMISSION IN-PUT

(A)=LE20
(B)=
(C)=

(D)=
(E)=
(F)=

REF.	LEV.	PARTS NO.	DESCRIPTION	Q'TY						I	R
				(A)	(B)	(C)	(D)	(E)	(F)		
1	1	1C6660-11120	PIN 8X32,STRAIGHT	2							
2	1	1A6150-11150	SHAFT,FRONT P.T.O.	1							
3	1	1A6150-11250	FAN,HST COOLING	1							
4	1	1A6150-11300	DRIVE SHAFT	1							
5	1	1A6150-11350	JOINT COMP.,FAN	1							
6	1	1A6150-11500	COVER,HST FAN	1							
7	1	22242-000360	CIRCLIP 36(S)	2							
8	1	24761-060000	NIPPLE MT6X1, GREASE	1							
9	1	26013-060142	BOLT M 6X 14	2							
10	1	26013-100202	BOLT W/WASHER M10X20	3							
11	1	26116-080252	BOLT M 8X 25 PLATED	1							
12	1	26716-080002	NUT M 8	1							

Fig.29. TRANSMISSION CASE

(A)=LE20

(B)=

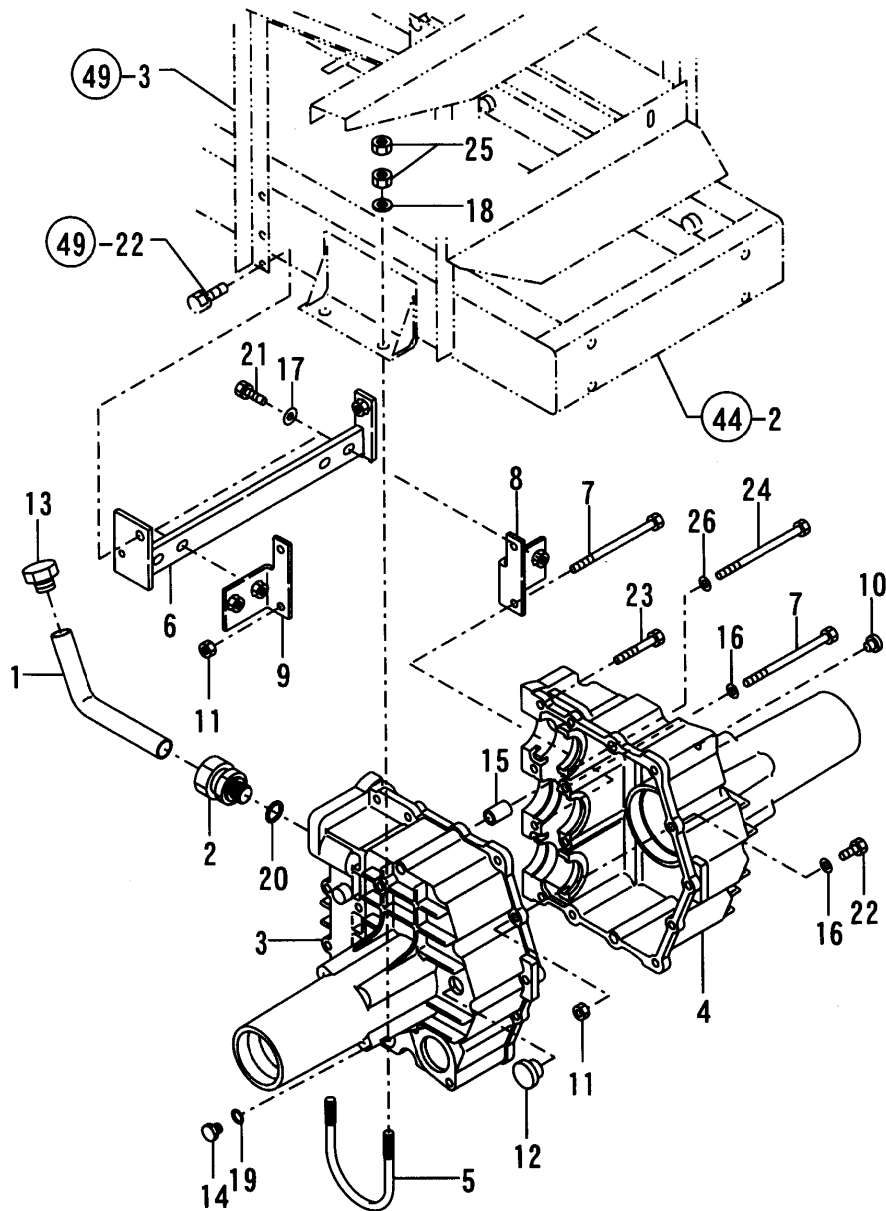
(C)=

(D)=

(E)=

(F)=

29. TRANSMISSION CASE



REF.	LEV.	PARTS NO.	DESCRIPTION	QTY						I	R
				(A)	(B)	(C)	(D)	(E)	(F)		
1	1	1A6157-05840	PIPE A	1							
2	1	1A6157-05850	NIPPLE,O-RING	1							
3	1	1A6150-12004	CASE L,TRANSMISSION	1							
4	1	1A6150-12012	HOUSING (R), TRANS.	1							
5	1	1A6150-12030	U-BOLT M10	2							
6	1	1A6150-12043	BRACKET CMP.,TRANSM.	1							
7	1	1A6150-12080	BOLT M8X195	4							
8	1	1A6150-12100	STAY B L	1							
9	1	1A6150-12120	STAY B R	1							
10	1	194210-13561	BREATHER 10	1							
11	1	194990-22050	NUT W/WASHER 8	15							
12	1	1A1070-28210	WINDOW 20,OIL CHECK	1							
13	1	1A1410-48050	PLUG,OIL FILLER	1							
14	1	1A1040-48070	PLUG 10	1							
15	1	1E8130-53120	COLLAR 8.5X11X20	2							
16	1	22137-080000	WASHER 8, POLISHED	11							
17	1	22137-080000	WASHER 8, POLISHED	4							
18	1	22137-100000	WASHER 10,POLISHED	4							
19	1	24311-000120	O-RING 1A P 12.0	1							
20	1	24311-000180	O-RING 1A P-18.0	1							
21	1	26013-080252	BOLT M 8X 25	4							
22	1	26116-080352	BOLT M 8X 35	3							
23	1	26116-080552	BOLT 8X55	4							
24	1	26116-081202	BOLT M 8X120 PLATED	4							
25	1	26716-100002	NUT 10	8							
26	1	933168-28480	WASHER 20X9X3.2	2							

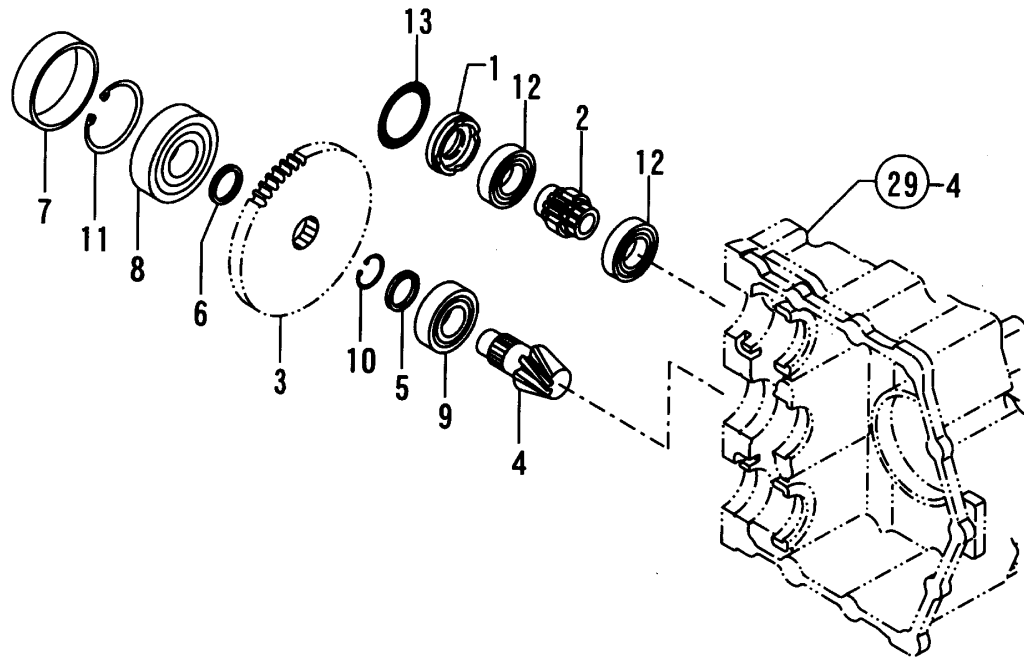
Remarks

* 7A6150-12002 TRANSMISSION KIT

N:Old $\xrightarrow{\text{Yes}}$ New, Q:Old $\xrightarrow{\text{No}}$ New, R:Old $\xrightarrow{\text{Yes}}$ New, S:Old $\xrightarrow{\text{No}}$ New, W:Add, Z:Discontinued, F:Interchangeable by set, K:Q'ty Change

Fig.30. COUNTER SHAFT

30. COUNTER SHAFT



OCNP3-G65800 30. COUNTER SHAFT

(A)=LE20

(B)=

(C)=

(D)=

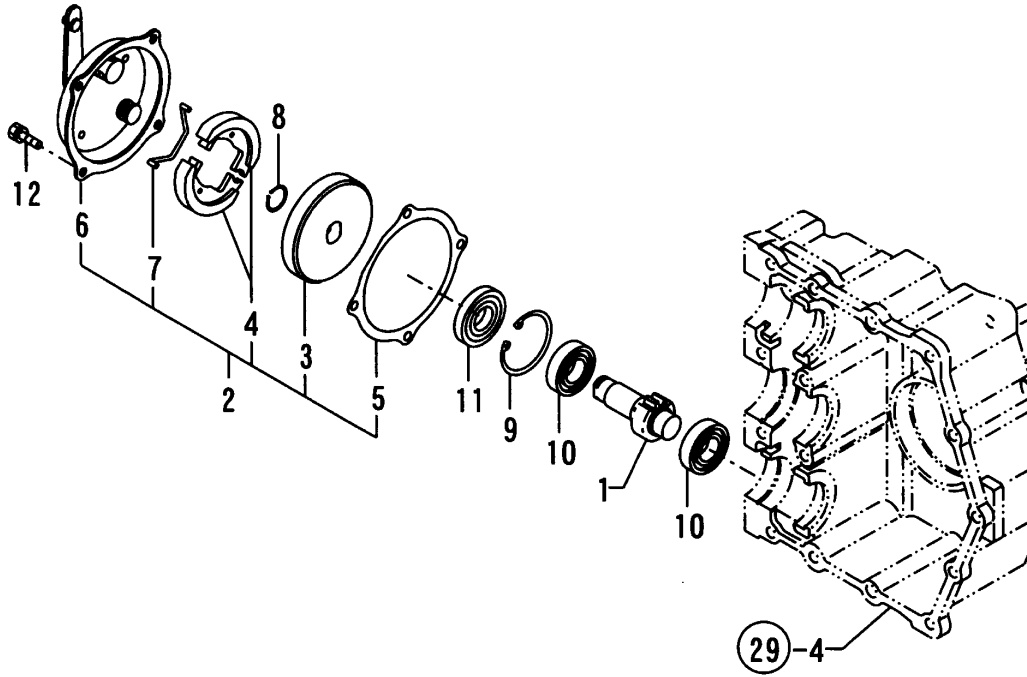
(E)=

(F)=

REF.	LEV.	PARTS NO.	DESCRIPTION	QTY						I	R	
				(A)	(B)	(C)	(D)	(E)	(F)			
1	1	1A6150-12020	COLLAR 30X47X16	1								
2	1	1A6150-12200	GEAR 11	1								
3	1	1A6150-12211	GEAR 53	1								
4	1	1A6150-12222	SHAFT, COUNTER	1								
5	1	1A6150-12232	LINER 25X31X3.5	1								
6	1	1A6150-12261	LINER 20X31X10	1								
7	1	1A6150-12270	PLUG 52X6.5	1								
8	1	192180-25980	BEARING 304RSH2	1								
9	1	1E8361-35410	BEARING 6305RSH2	1								
10	1	22242-000240	CIRCLIP 24	1								
11	1	22252-000520	CIRCLIP 52	1								
12	1	24101-060054	BALL BEARING 6005	2								
13	1	24311-000400	O-RING 1A P-40.0	1								

Fig.31. BRAKE SHAFT

31. BRAKE SHAFT



OCNP3-G65800 31. BRAKE SHAFT

(A)=LE20

(B)=

(C)=

(D)=

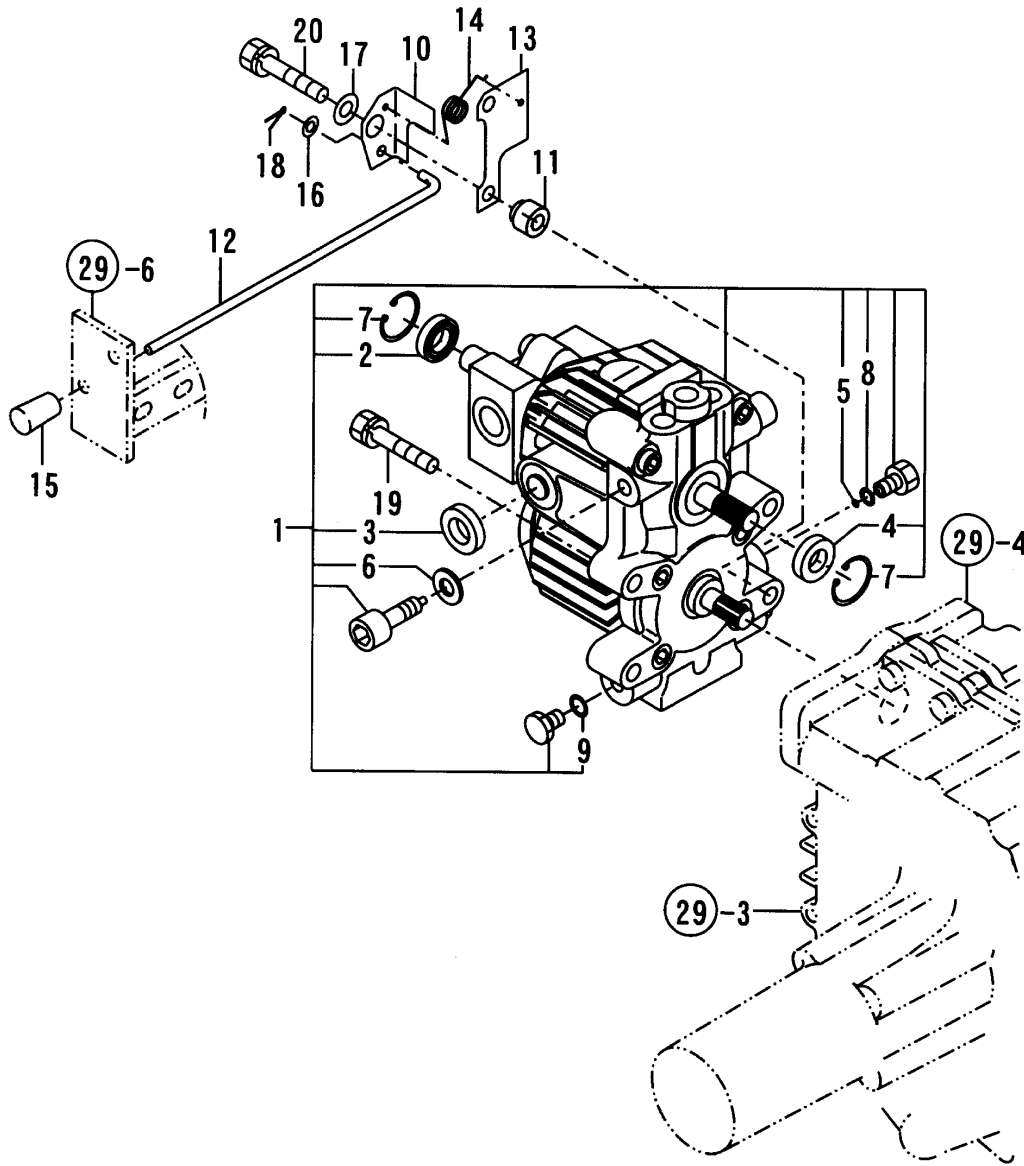
(E)=

(F)=

REF.	LEV.	PARTS NO.	DESCRIPTION	Q'TY						I	R
				(A)	(B)	(C)	(D)	(E)	(F)		
1	1	1A6150-12500	SHAFT, BRAKE	1							
2	1	1A6150-17100	BRAKE ASSY	1							
3	2	1A6150-12510	DRUM ASSY, BRAKE	1							
4	2	1A6150-17110	SHOE, BRAKE	2							
5	2	1A6150-17120	GASKET, BRAKE COVER	1							
6	2	1A6150-17140	COVER COMP.,BRAKE	1							
7	2	1E6192-53660	RETURN SPRING,MAIN	1							
8	1	22242-000180	CIRCLIP 18	1							
9	1	22252-000470	CIRCLIP 47(H)	1							
10	1	24101-062044	BALL BEARING #6204	2							
11	1	24421-204708	SEAL TC20 47 08, OIL	1							
12	1	26013-060162	BOLT M 6X 16	4							

Fig.32. H.S.T

32. H.S.T



(A)=LE20

(B)=

(C)=

(D)=

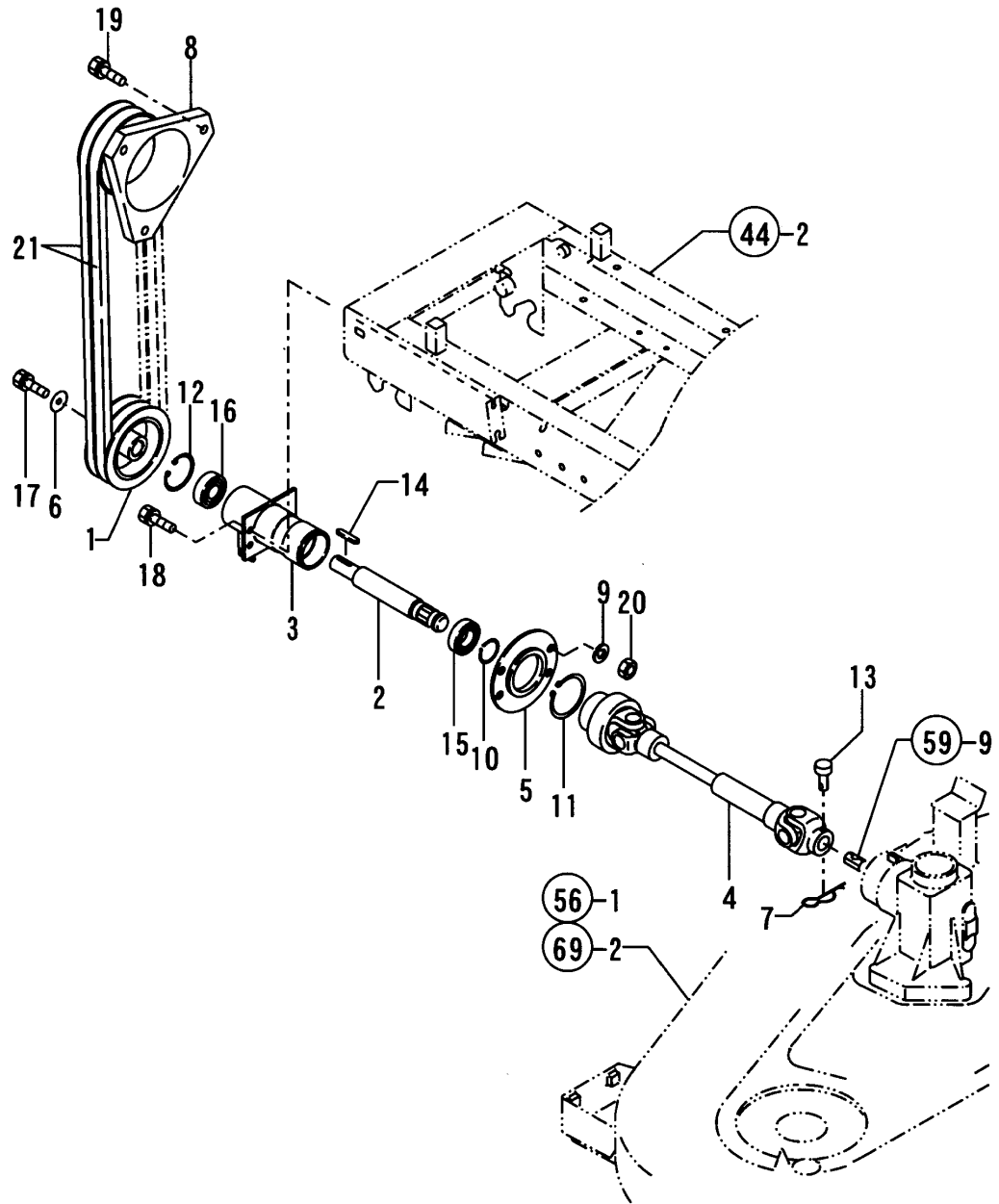
(E)=

(F)=

REF.	LEV.	PARTS NO.	DESCRIPTION	Q'TY						I	R
				(A)	(B)	(C)	(D)	(E)	(F)		
1	1	1A6150-13010	HST ASSY.	1							
2	2	1A6150-13200	SEAL 173007	1							
3	2	1A6150-13210	SEAL TB183207	2							
4	2	1A6150-13220	SEALTCV163007	1							
5	2	1A6150-13230	O-RING P3	1							
6	2	1A6150-13240	SEAL	2							
7	2	22252-000300	CIRCLIP 30	2							
8	2	24315-000080	O-RING 1B P-8.0	1							
9	2	24315-000110	O-RING 1B P-11.0	2							
10	1	1A6150-13050	ARM,PRESS.RELEASE	1							
11	1	1A6150-13060	COLLAR 10.5X20X15	1							
12	1	1A6150-13070	BAR 6	1							
13	1	1A6150-13080	PLATE	1							
14	1	1A6150-13090	SPRING, LOCK	1							
15	1	1W4981-90090	CAP	1							
16	1	22117-060000	WASHER 6	1							
17	1	22137-100000	WASHER 10,POLISHED	1							
18	1	22417-200160	COTTER PIN 2.0X16	1							
19	1	26013-100502	BOLT M10X 50	3							
20	1	26013-100702	BOLT 10X70 W/SP.WSHR	1							

Fig.33. MOWER DRIVE & BELT

33. MOWER DRIVE & BELT



(A)=LE20

(B)=

(C)=

(D)=

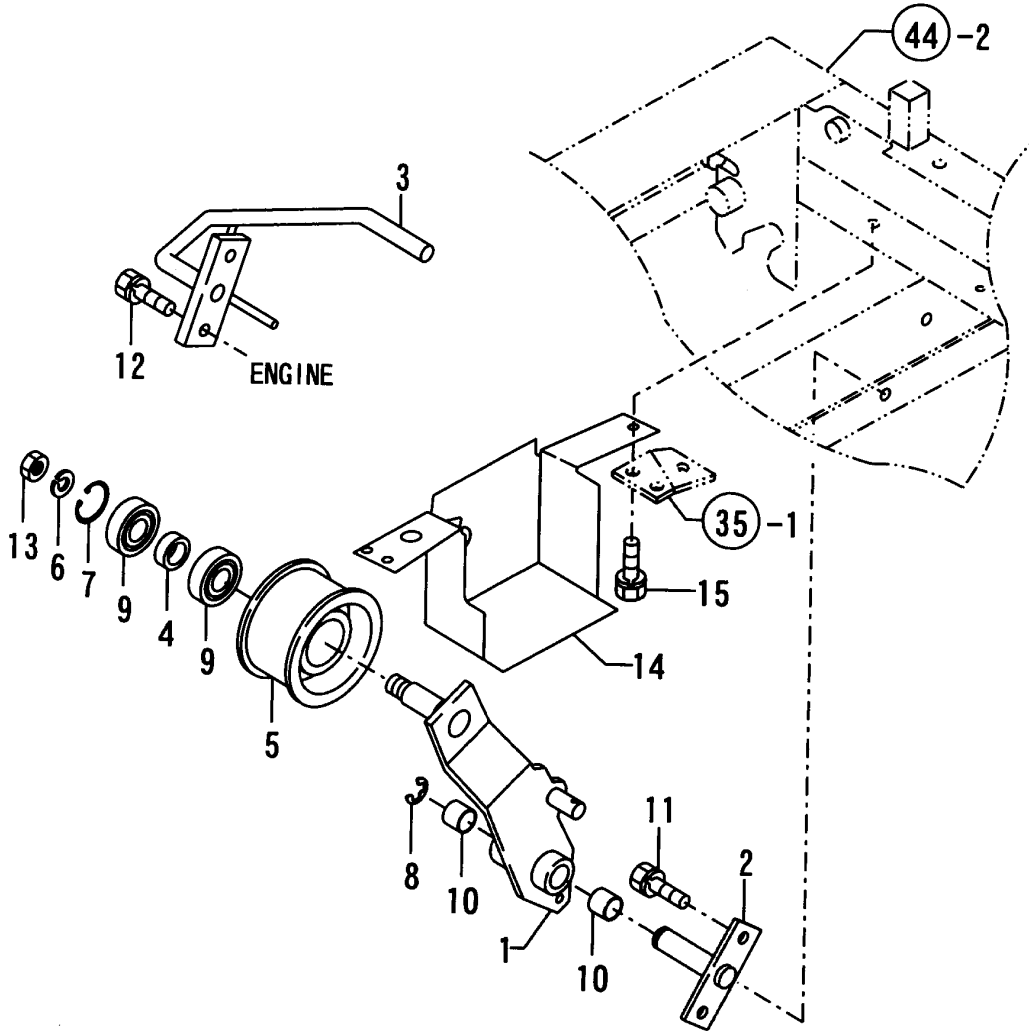
(E)=

(F)=

REF.	LEV.	PARTS NO.	DESCRIPTION	Q'TY						I	R
				(A)	(B)	(C)	(D)	(E)	(F)		
1	1	1A6157-15070	V-PULLEY 121	1							
2	1	1A6150-15081	SHAFT(P T O	1							
3	1	1A6150-15102	CASE,P.T.O.	1							
4	1	1A6150-15200	DRIVE SHAFT	1							
5	1	1A6150-15250	COLLAR,CENTER PIN	1							
6	1	1A1040-43900	SPRING WASHER	1							
7	1	1C6281-52310	PIN 6,COME-OFF SNAP	1							
8	1	1A1280-69500	PULLEY 105-50	1							
9	1	22217-100000	SPRING WASHER 10	4							
10	1	22242-000250	CIRCLIP 25S	1							
11	1	22242-000550	CIRCLIP 55	1							
12	1	22252-000470	CIRCLIP 47(H)	1							
13	1	22487-060400	PIN 6X 40	1							
14	1	22550-050200	KEY 5X20	1							
15	1	24104-060054	BALL BEARING	1							
16	1	24104-062044	BALL BEARING	1							
17	1	26013-080202	BOLT W/WASHER M8X20	1							
18	1	26013-100252	BOLT W/WASHER M10X25	4							
19	1	26013-120252	BOLT M12X 25	3							
20	1	26716-100002	NUT 10	4							
21	1	1A6150-15010	V-BELT LB35-AG6	2							

Fig.34. TENSION & BELT COVER

34. TENSION & BELT COVER



OCNP3-G65800 34. TENSION & BELT COVER

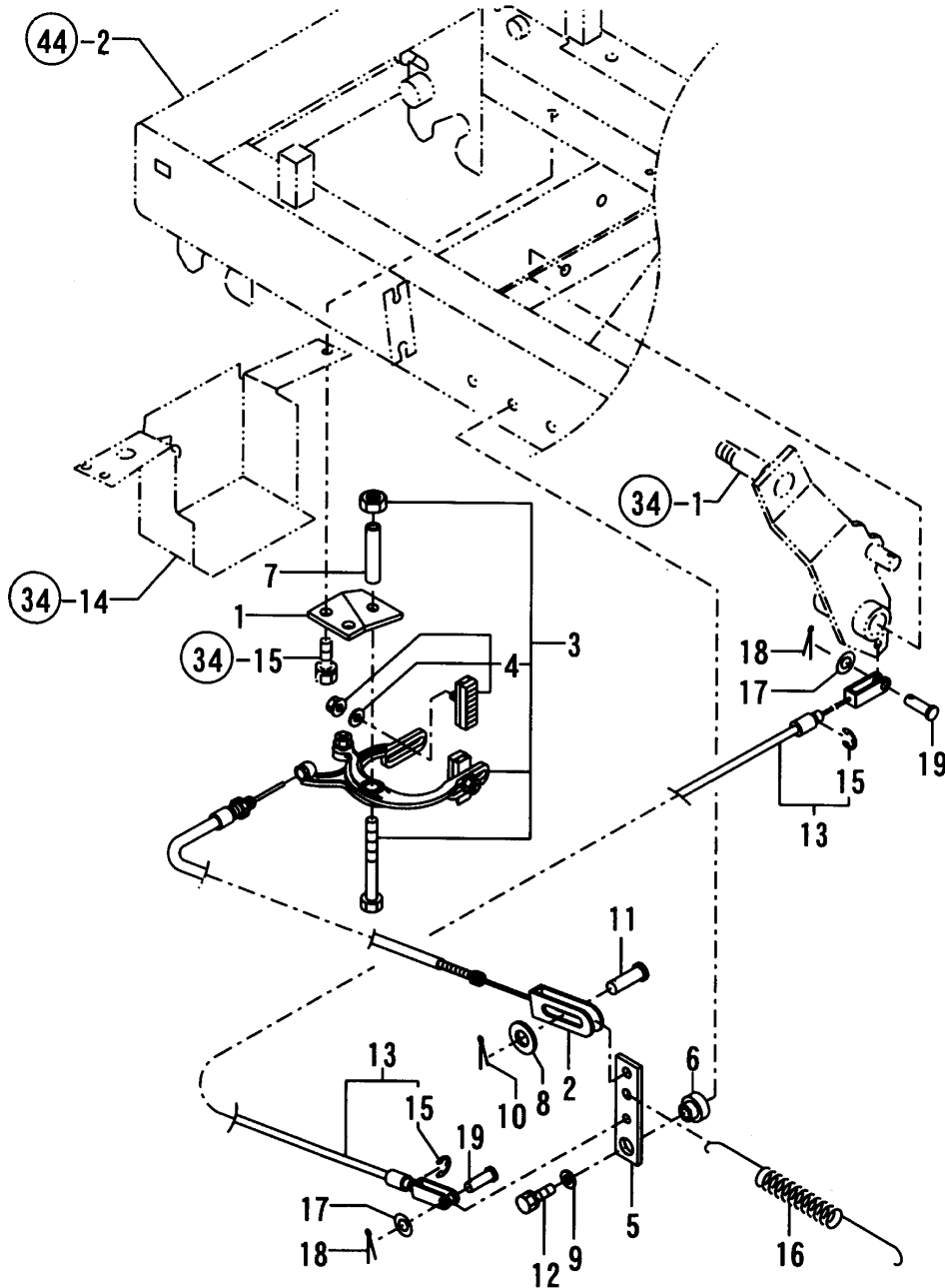
(A)=LE20
(B)=
(C)=

(D)=
(E)=
(F)=

REF.	LEV.	PARTS NO.	DESCRIPTION	QTY						I	R
				(A)	(B)	(C)	(D)	(E)	(F)		
1	1	1A6150-15301	ARM COMP.,TENSION	1							
2	1	1A6150-15370	FULCRUM COMP.,TENSION	1							
3	1	1A6150-15550	RETAINER COMP.,BELT	1							
4	1	1E6740-42060	COLLAR 17X25X 9	1							
5	1	1E6820-51080	TENSION PULLEY 80	1							
6	1	22217-140000	SPRING WASHER 14	1							
7	1	22252-000400	CIRCLIP 40(H)	1							
8	1	22272-000120	CIRCLIP E-12	1							
9	1	24104-062034	BALL BEARING	2							
10	1	24550-016150	DRY BUSH 16X15	2							
11	1	26013-080202	BOLT W/WASHER M8X20	2							
12	1	26013-080202	BOLT W/WASHER M8X20	2							
13	1	26737-140002	NUT M14	1							
14	1	1A6150-15501	COVER,BELT	1							
15	1	26013-080202	BOLT W/WASHER M8X20	3							

Fig.35. MOWER BRAKE & RETURN

35. MOWER BRAKE & RETURN



OCNP3-G65800 35. MOWER BRAKE & RETURN

(A)=LE20

(B)=

(C)=

(D)=

(E)=

(F)=

REF.	LEV.	PARTS NO.	DESCRIPTION	QTY						I	R
				(A)	(B)	(C)	(D)	(E)	(F)		
1	1	1A6150-15410	STAY,MOWER BRAKE	1							
2	1	1A6150-15451	WIRE,MOWER BRAKE	1							
3	1	1A6150-15511	BRAKE COMP.,MOWER	1							
4	2	1A6150-15680	SHOE ASSY, BRAKE	2							
5	1	1A6150-15590	ARM	1							
6	1	1A6150-15651	COLLAR	1							
7	1	1A6150-15670	COLLAR 10.5X6.5	1							
8	1	22117-080000	WASHER 8	1							
9	1	22137-080000	WASHER 8, POLISHED	1							
10	1	22417-200160	COTTER PIN 2.0X16	1							
11	1	22487-080160	PIN 8X 16	1							
12	1	26013-080302	BOLT M 8X 30	1							
13	1	7A6150-15440	WIRE,RETURN ASSY	1							
15	2	22272-000070	CIRCLIP E- 7	2							
16	1	1A6150-15611	SPRING	1							
17	1	22117-060000	WASHER 6	2							
18	1	22417-160160	COTTER PIN 1.6X16	2							
19	1	22487-060160	PIN 6X 16	2							

Fig.36. FRONT AXLE(PST)

(A)=LE20
(B)=
(C)=

(D)=
(E)=
(F)=

36. FRONT AXLE(PST)

REF.	LEV.	PARTS NO.	DESCRIPTION	QTY						I	R
				(A)	(B)	(C)	(D)	(E)	(F)		
1	1	1A6157-21150	AXLE ASSY, FRONT	1							
2	1	1A6157-21200	PIN ASSY, KING	1							
3	1	1A6157-21250	PIN ASSY, KING	1							
4	1	1A6150-21290	BUSH 25X28X30	4							
5	1	1A6157-21300	ARM CMP., TIE ROD	1							
6	1	1A6150-21350	WHEEL CAP	2							
7	1	1E6150-73410	WASHER 12X33X4.5	1							
8	1	22512-070300	KEY 7X 30	1							
9	1	24761-010000	NIPPLE M6F, GREASE	3							
10	1	26013-080452	BOLT M 8X 45	1							
11	1	26013-120252	BOLT M12X 25	2							
12	1	26013-120252	BOLT M12X 25	1							
13	1	26716-080002	NUT M 8	1							

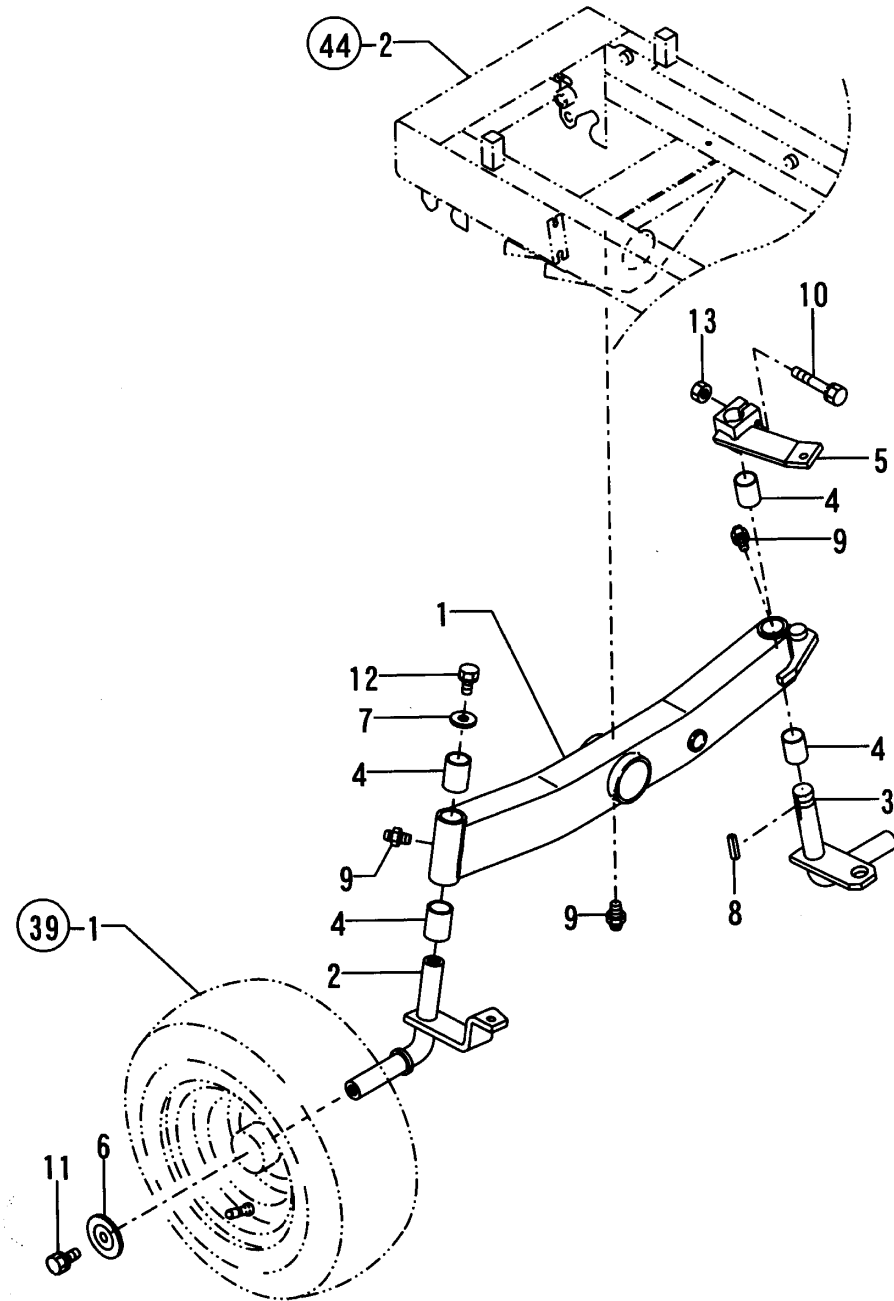
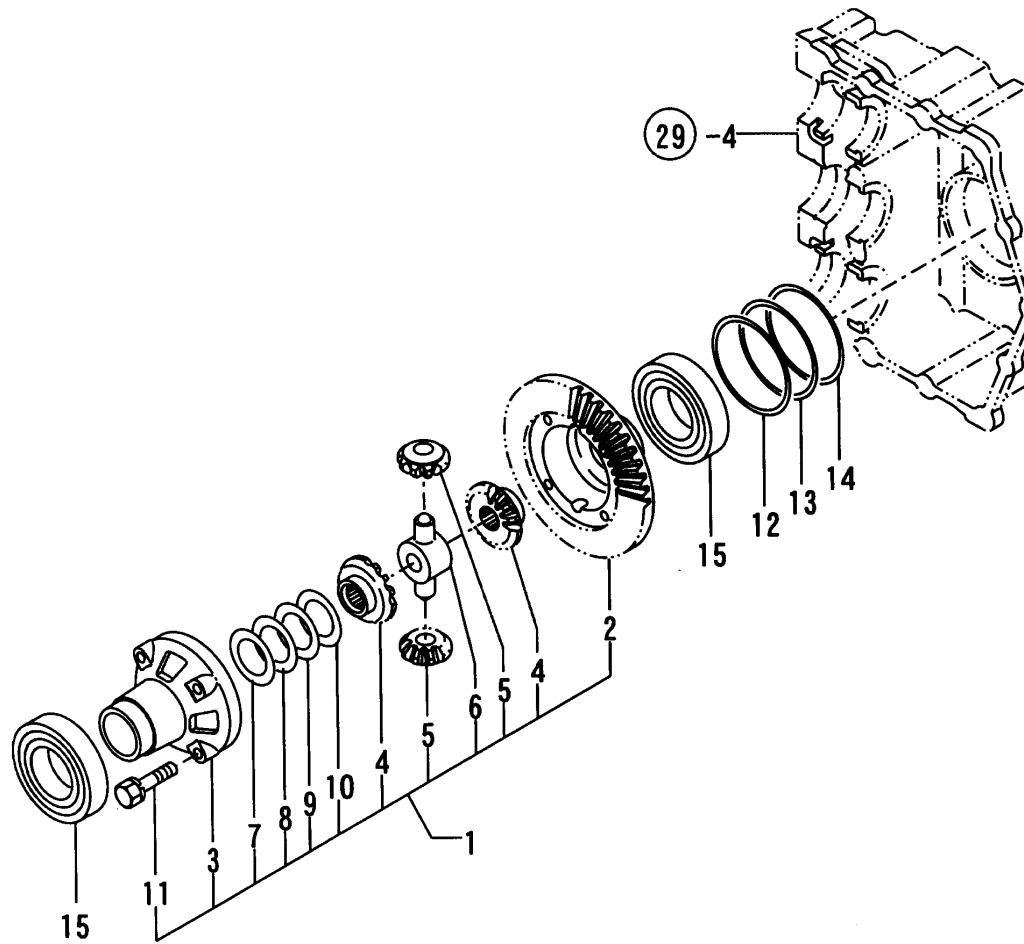


Fig.38. DIFFERENTIAL

38. DIFFERENTIAL



OCNP3-G65800 38. DIFFERENTIAL

(A)=LE20

(B)=

(C)=

(D)=

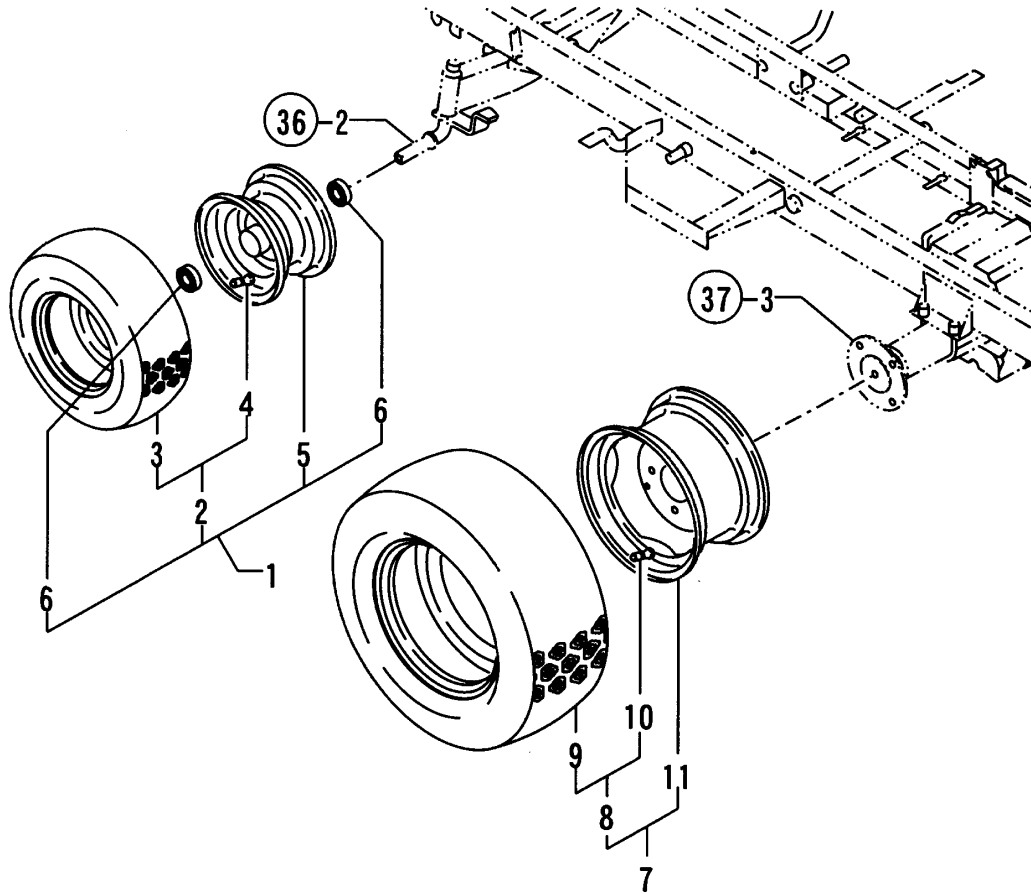
(E)=

(F)=

REF.	LEV.	PARTS NO.	DESCRIPTION	QTY						I	R
				(A)	(B)	(C)	(D)	(E)	(F)		
1	1	1A6150-22690	GEAR COMP.,DIFF.	1							
2	2	1A6150-22700	CASE,DIFFERENTIAL	1							
3	2	1A6150-22800	COVER,DIFF.CASE	1							
4	2	198511-31511	GEAR, DIFFERENTIAL	2							
5	2	198511-31561	PINION, DIFFERENTIAL	2							
6	2	198511-31570	SHAFT, DIFFERENTIAL	1							
7	2	194200-31851	SPACER T=0.9	1							
8	2	194200-31861	SPACER T=1.0	1							
9	2	194200-31871	SPACER T=1.1	1							
10	2	194200-31881	SPACER T=1.2	1							
11	2	26013-080352	BOLT M 8X 35	4							
12	1	1A6150-22750	SHIM 0.2,DIFF.CASE	1							
13	1	1A6150-22760	SHIM 0.3,DIFF.CASE	1							
14	1	1A6150-22770	SHIM 0.1,DIFF.CASE	1							
15	1	24101-062094	BALL BEARING	2							

Fig.39. TIRE WHEEL

39. TIRE WHEEL



0CNP3-G65800 39. TIRE WHEEL

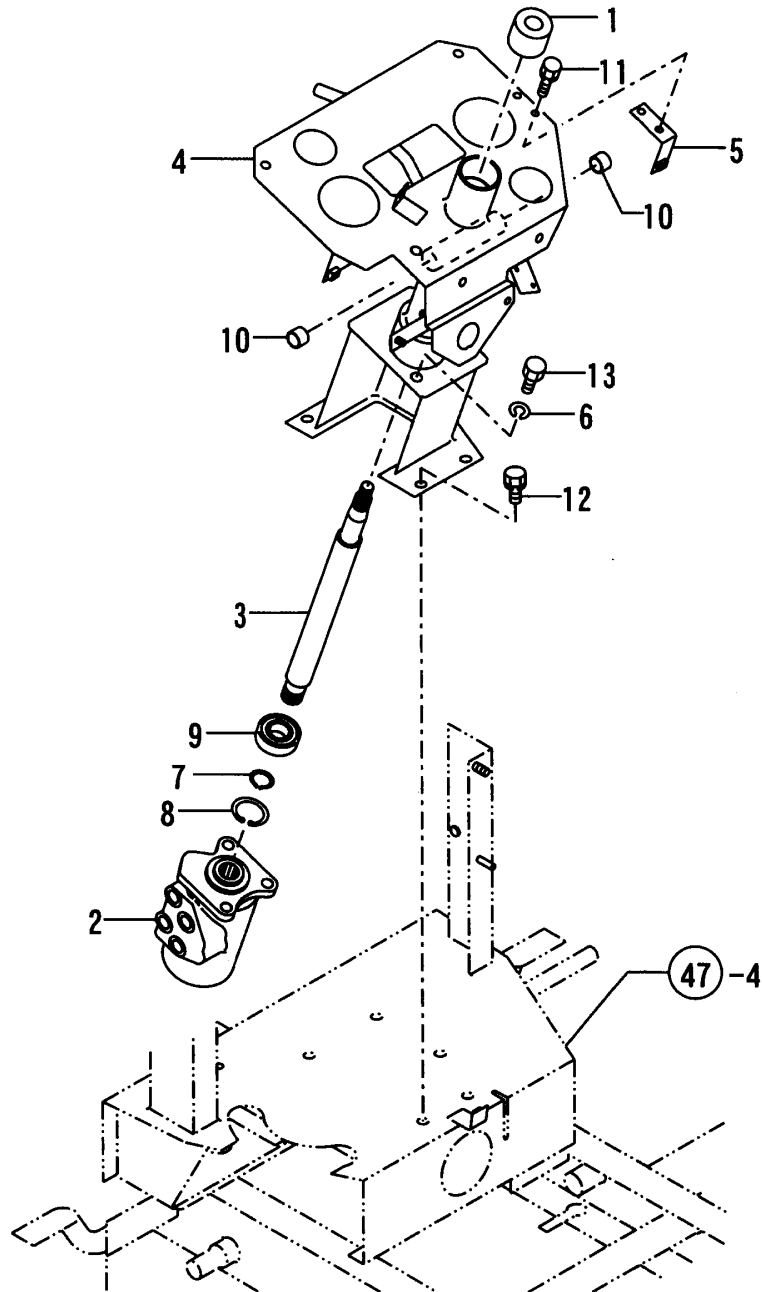
(A)=LE20
(B)=
(C)=

(D)=
(E)=
(F)=

REF.	LEV.	PARTS NO.	DESCRIPTION	QTY						I	R
				(A)	(B)	(C)	(D)	(E)	(F)		
1	1	1A6150-23000	WHEEL KIT,FRONT TIRE	2							
2	2	1A6150-23010	TIRE 16X6.50-8 COMP.	2							
3	3	1A6150-23020	TIRE 16X6.50-8	2							
4	3	194190-34730	HOUSING,CORE	2							
5	2	1A6150-23030	WHEEL 5.375IX8DC	2							
6	2	24104-062054	BALL BEARING	4							
7	1	1A6150-23250	WHEEL KIT,REAR TIRE	2							
8	2	1A6150-23260	TIRE 23X10.5-12 CMP.	2							
9	3	1A6150-23270	TIRE 23X10.5-12	2							
10	3	194190-34730	HOUSING,CORE	2							
11	2	1A6150-23280	WHEEL 7JA-12WDC	2							

Fig.40. STEERING(PST)

40. STEERING(PST)



OCNP3-G65800 40. STEERING(PST)

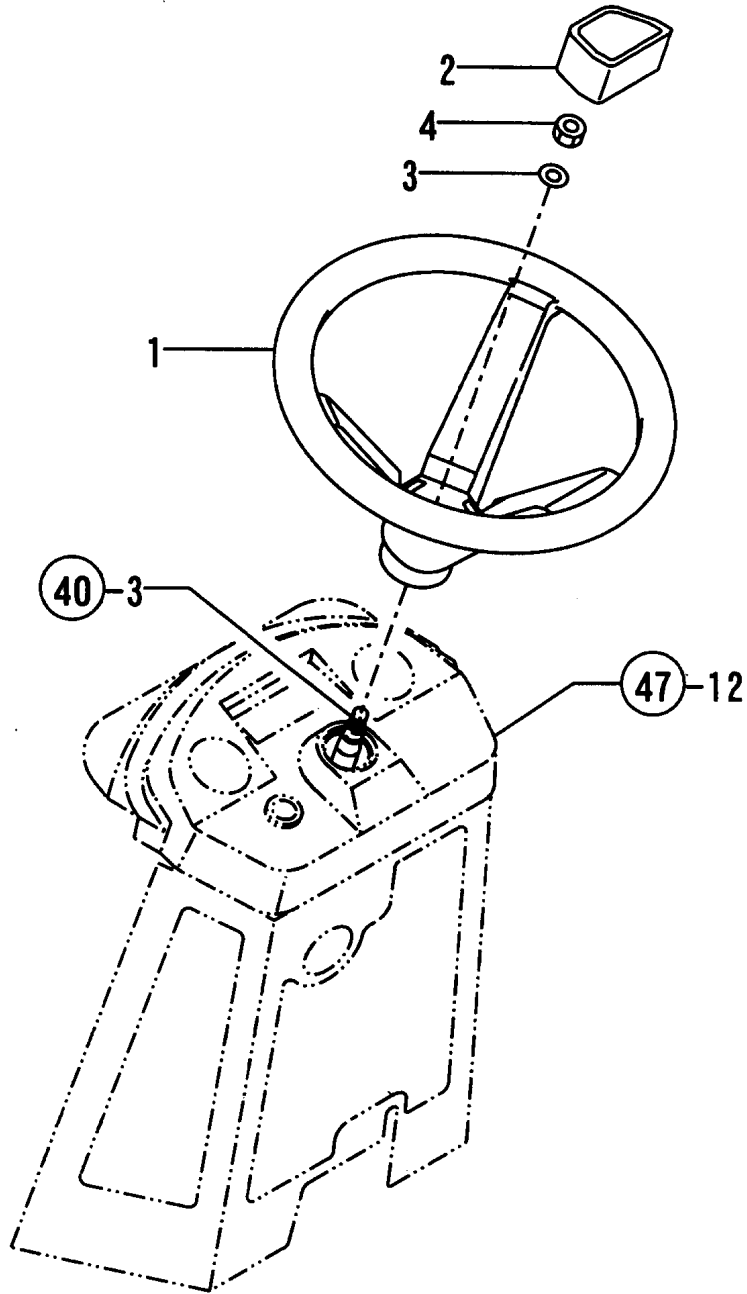
(A)=LE20
(B)=
(C)=

(D)=
(E)=
(F)=

REF.	LEV.	PARTS NO.	DESCRIPTION	QTY						I	R
				(A)	(B)	(C)	(D)	(E)	(F)		
1	1	198511-15620	BUSH,COLUMN	1							
2	1	1C1100-21100	VALVE,POWER STEERING	1							
3	1	1A6157-25120	SHAFT, STEERING	1							
4	1	1A6157-25200	COLUMN CMP.,PST	1							
5	1	1A6150-25401	STAY B	1							
6	1	22217-100000	SPRING WASHER 10	3							
7	1	22242-000200	CIRCLIP 20	1							
8	1	22252-000420	CIRCLIP 42	1							
9	1	24104-060044	BALL BEARING	1							
10	1	24550-012100	BUSH 12X10	2							
11	1	26013-060162	BOLT M 6X 16	2							
12	1	26013-100202	BOLT W/WASHER M10X20	5							
13	1	26156-100202	BOLT M10X 20 PLATED	3							

Fig.41. STEERING WHEEL

41. STEERING WHEEL



0CNP3-G65800 41. STEERING WHEEL

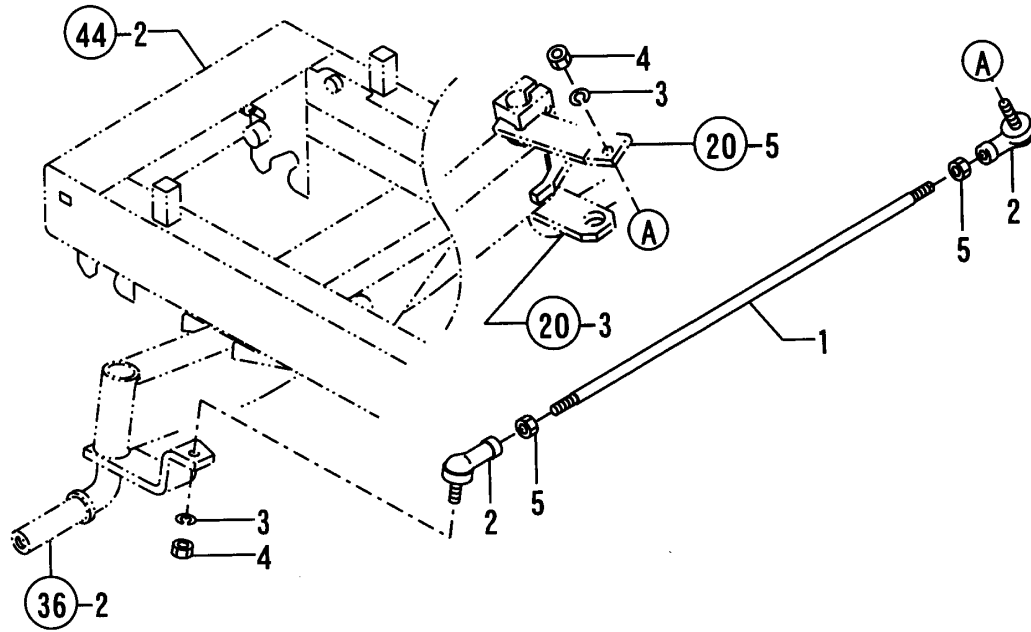
(A)=LE20
(B)=
(C)=

(D)=
(E)=
(F)=

REF.	LEV.	PARTS NO.	DESCRIPTION	Q'TY						I	R	
				(A)	(B)	(C)	(D)	(E)	(F)			
1	1	1W4473-10020	WHEEL, STEERING	1								
2	1	1W4473-20030	CAP	1								
3	1	22137-120000	WASHER 12,POLISHED	1								
4	1	26356-120002	U-NUT M12	1								

Fig.42. FRONT LINK

42. FRONT LINK



0CNP3-G65800 42. FRONT LINK

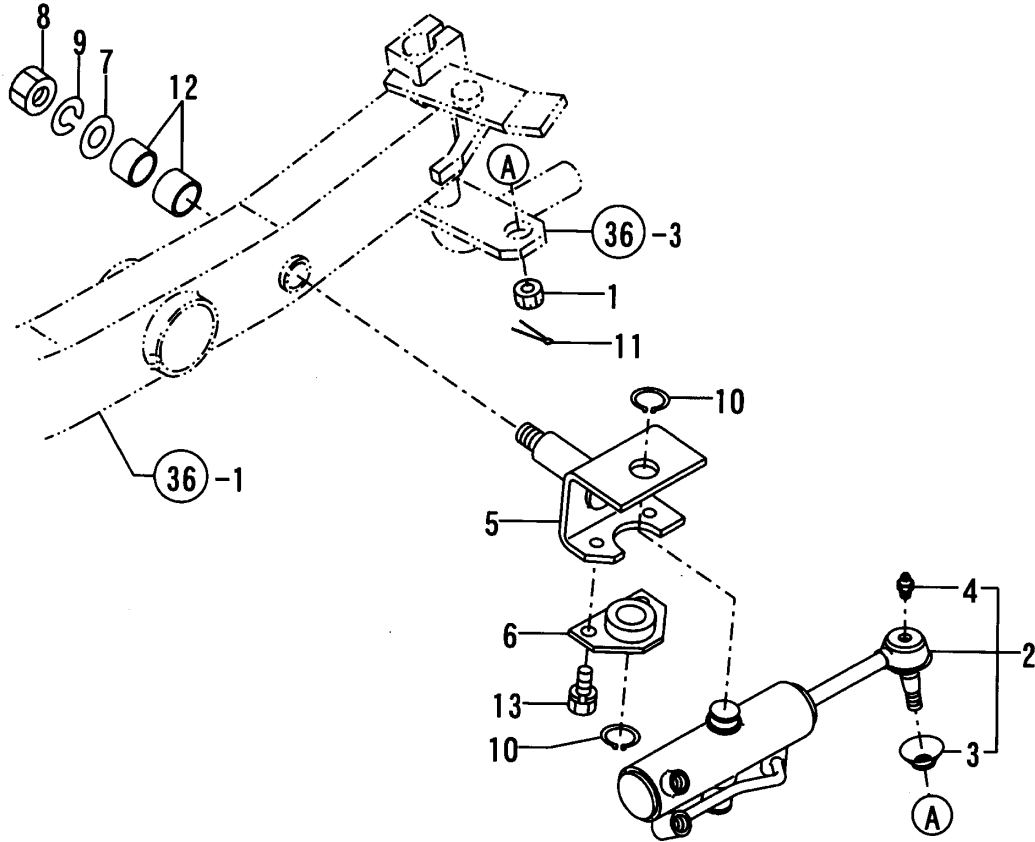
(A)=LE20
(B)=
(C)=

(D)=
(E)=
(F)=

REF.	LEV.	PARTS NO.	DESCRIPTION	Q'TY						I	R
				(A)	(B)	(C)	(D)	(E)	(F)		
1	1	1A6157-26050	ROD, TIE	1							
2	1	1E8080-65830	BALL M10, LINK	2							
3	1	22217-100000	SPRING WASHER 10	2							
4	1	26716-100002	NUT 10	2							
5	1	26756-100002	LOCK NUT M10 PLATED	2							

Fig.43. POWER STEERING CYLINDER

43. POWER STEERING CYLINDER



OCNP3-G65800 43. POWER STEERING CYLINDER

(A)=LE20

(B)=

(C)=

(D)=

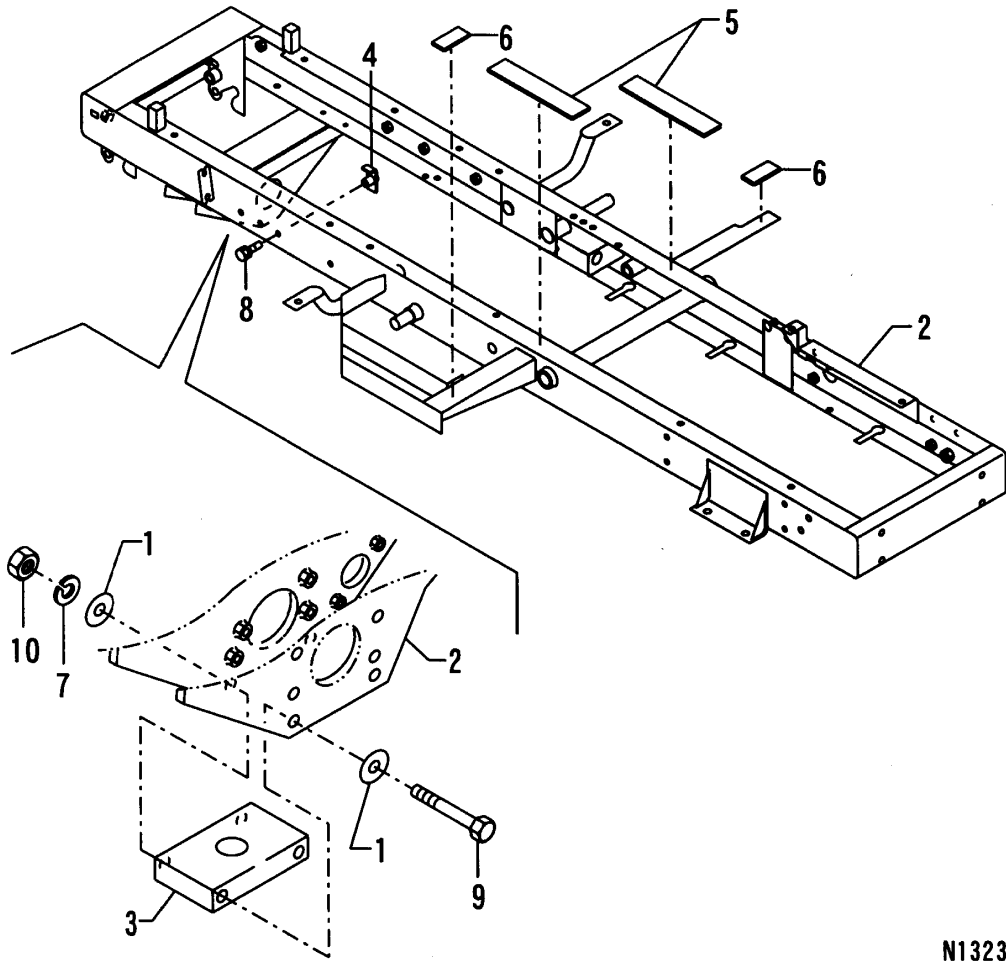
(E)=

(F)=

REF.	LEV.	PARTS NO.	DESCRIPTION	QTY						I	R
				(A)	(B)	(C)	(D)	(E)	(F)		
1	1	194215-12341	NUT	1							
2	1	1A6157-27010	CYLINDER CMP.,PST	1							
3	2	194300-13340	COVER,DUST	1							
4	2	24761-060000	NIPPLE MT6X1, GREASE	1							
5	1	1A6157-27200	YOKE ASSY	1							
6	1	1A6157-27230	PIVOT CMP.	1							
7	1	1C6720-47280	COLLAR 17X35X2	1							
8	1	26716-160002	NUT M16	1							
9	1	22217-160000	SPRING WASHER 16	1							
10	1	22242-000220	CIRCLIP 22	2							
11	1	22417-250250	COTTER PIN 2.5X25	1							
12	1	24550-025200	BUSH 25X20	2							
13	1	26013-100162	BOLT M10X 16	2							

Fig.44. CHASSIS FRAME

4.4. CHASSIS FRAME



N132398

OCNP3-G65800 44. CHASSIS FRAME

(A)=LE20

(B)=

(C)=

(D)=

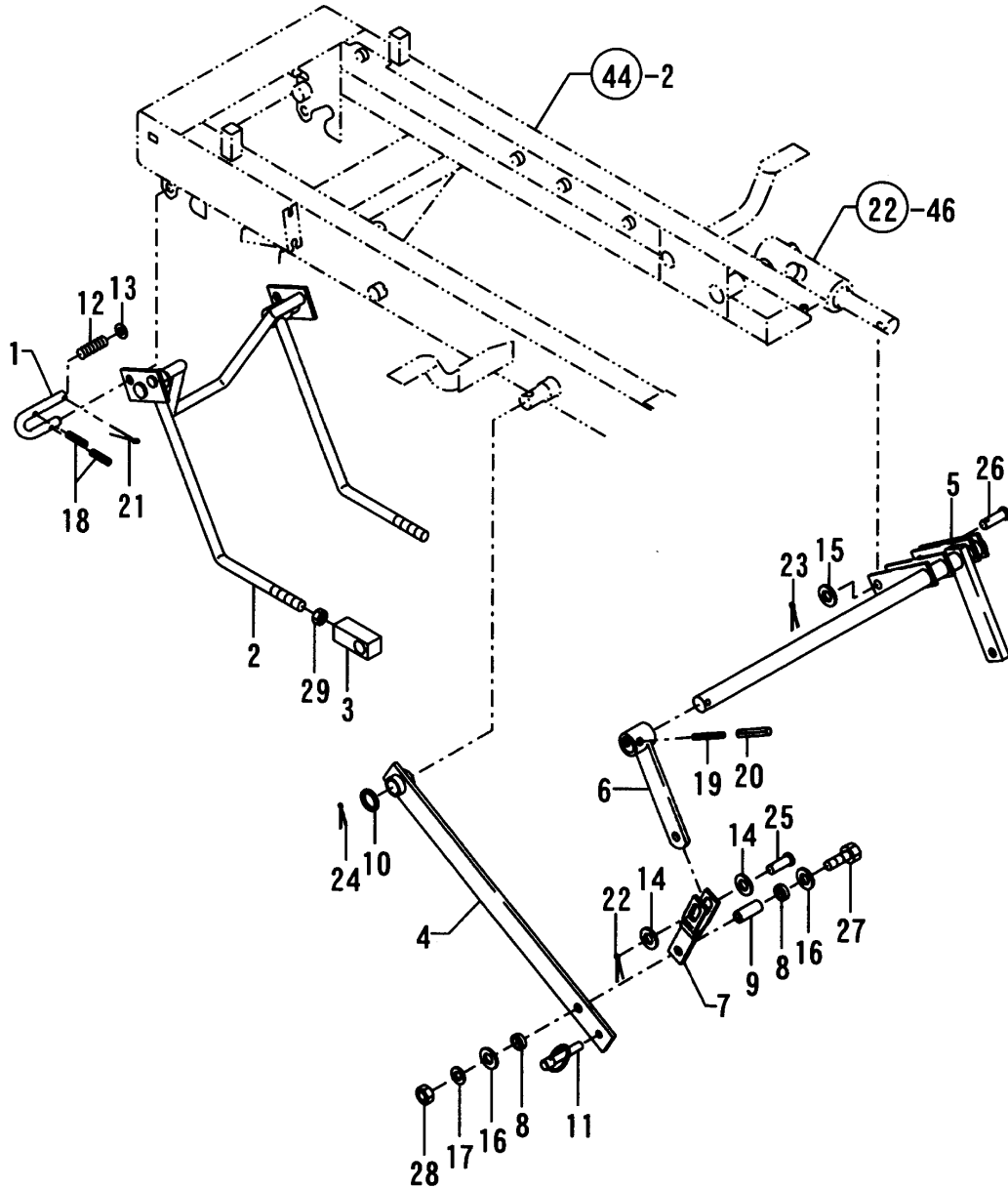
(E)=

(F)=

REF.	LEV.	PARTS NO.	DESCRIPTION	Q'TY						I	R
				(A)	(B)	(C)	(D)	(E)	(F)		
1	1	194145-04810	WASHER 10	4							
2	1	7A6157-31010	PL CMP.,CHASSIS 20EU	1							
3	1	1A6150-31451	SPACER,FRONT AXLE	1							
4	1	1A6150-31550	BRACKET COMP.,HOSE	2							
5	1	1A6150-31650	SEAL 12X40X205	2							
6	1	194190-61761	RUBBER, CUSHION	2							
7	1	22217-100000	SPRING WASHER 10	2							
8	1	26013-080302	BOLT M 8X 30	2							
9	1	26116-100952	BOLT M10X 95 PLATED	2							
10	1	26716-100002	NUT 10	2							

Fig.45. LIFT LINK

45. LIFT LINK



(A)=LE20

(B)=

(C)=

(D)=

(E)=

(F)=

REF.	LEV.	PARTS NO.	DESCRIPTION	Q'TY						I	R
				(A)	(B)	(C)	(D)	(E)	(F)		
1	1	1A6150-35050	U-FITTINGS	2							
2	1	1A6157-35060	HITCH, FRONT	1							
3	1	1A6157-35150	LINK A,LIFTING	2							
4	1	1A6150-35201	LINK COMP.,REAR	2							
5	1	1A6157-35250	SHAFT CMP.,LIFTING	1							
6	1	1A6150-35301	ARM B COMPL.	1							
7	1	1A6150-35351	HOOK COMP.,REAR	2							
8	1	1A6150-35700	COLLAR 12.7X17.3X5.5	4							
9	1	1A6150-35750	COLLAR 8X12X23	2							
10	1	1E6650-63400	COLLAR 20.2X27.2X3M	2							
I	10-1	1E6650-63401	COLLAR 20.2X27.2X2M	2							N
		(A=FXXXXXX)									
I	10-2	1E9275-12610	COLLAR,20.2X27.2X3	2							N
		(A=FXXXXXX)									
11	1	794130-71410	PIN ASSY,BALL SOCKET	2							
12	1	1T3660-87230	SPRING 14X42	2							
13	1	22117-120000	WASHER 12	2							
14	1	22117-120000	WASHER 12	4							
15	1	22117-120000	WASHER 12	1							
16	1	22157-080000	WASHER 8	4							
17	1	22217-080000	SPRING WASHER 8	2							
18	1	22351-040020	SPRING PIN 4X20	4							
19	1	22351-050040	SPRING PIN 5X40	1							
20	1	22351-080040	SPRING PIN 8X40	1							
21	1	22417-250200	COTTER PIN 2.5X20	2							
22	1	22417-250200	COTTER PIN 2.5X20	2							
23	1	22417-250200	COTTER PIN 2.5X20	1							
24	1	22417-320320	COTTER PIN 3.2X32	2							
25	1	22487-120300	PIN 12X 30	2							
26	1	22487-120400	PIN 12X 40	1							
27	1	26116-080402	BOLT M 8X 40 PLATED	2							
28	1	26716-080002	NUT M 8	2							
29	1	26746-180002	NUT M18	2							

Fig.46. BONNET

(A)=LE20

(B)=

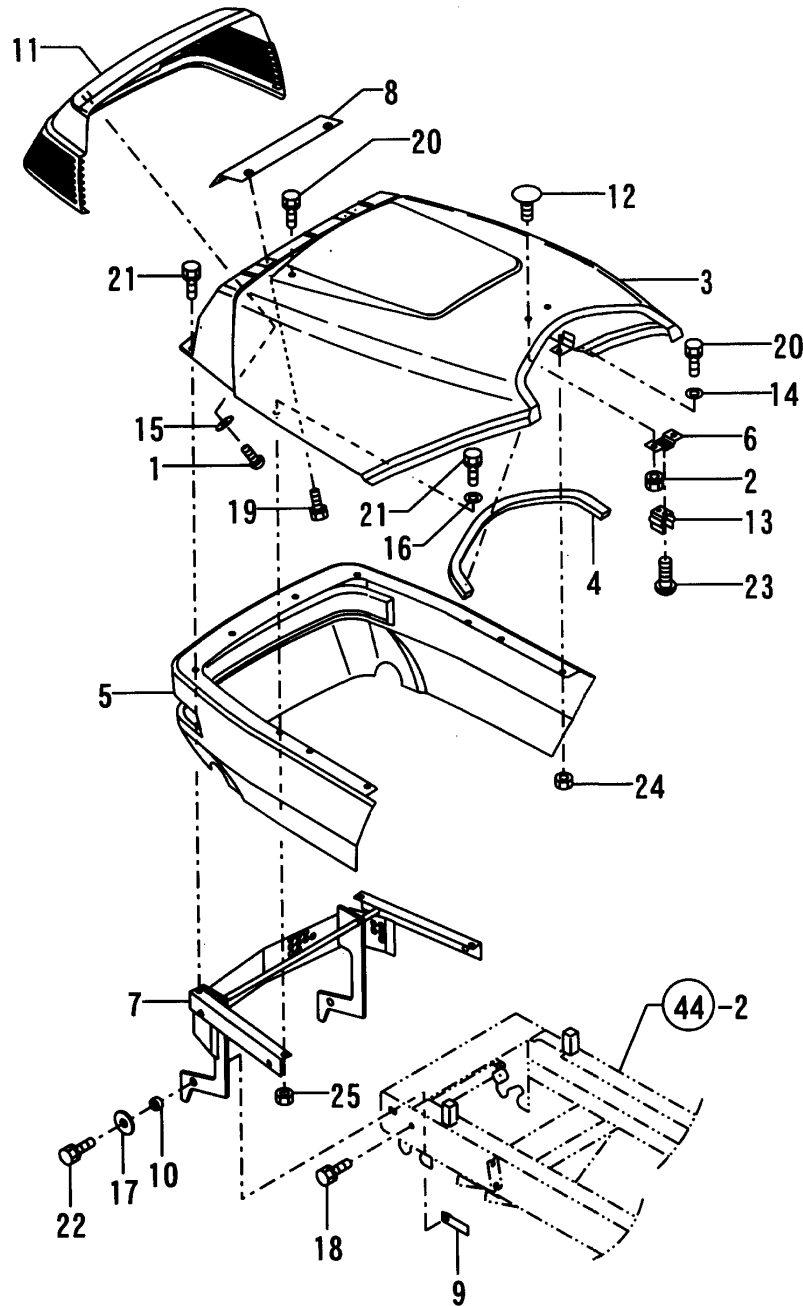
(C)=

(D)=

(E)=

(F)=

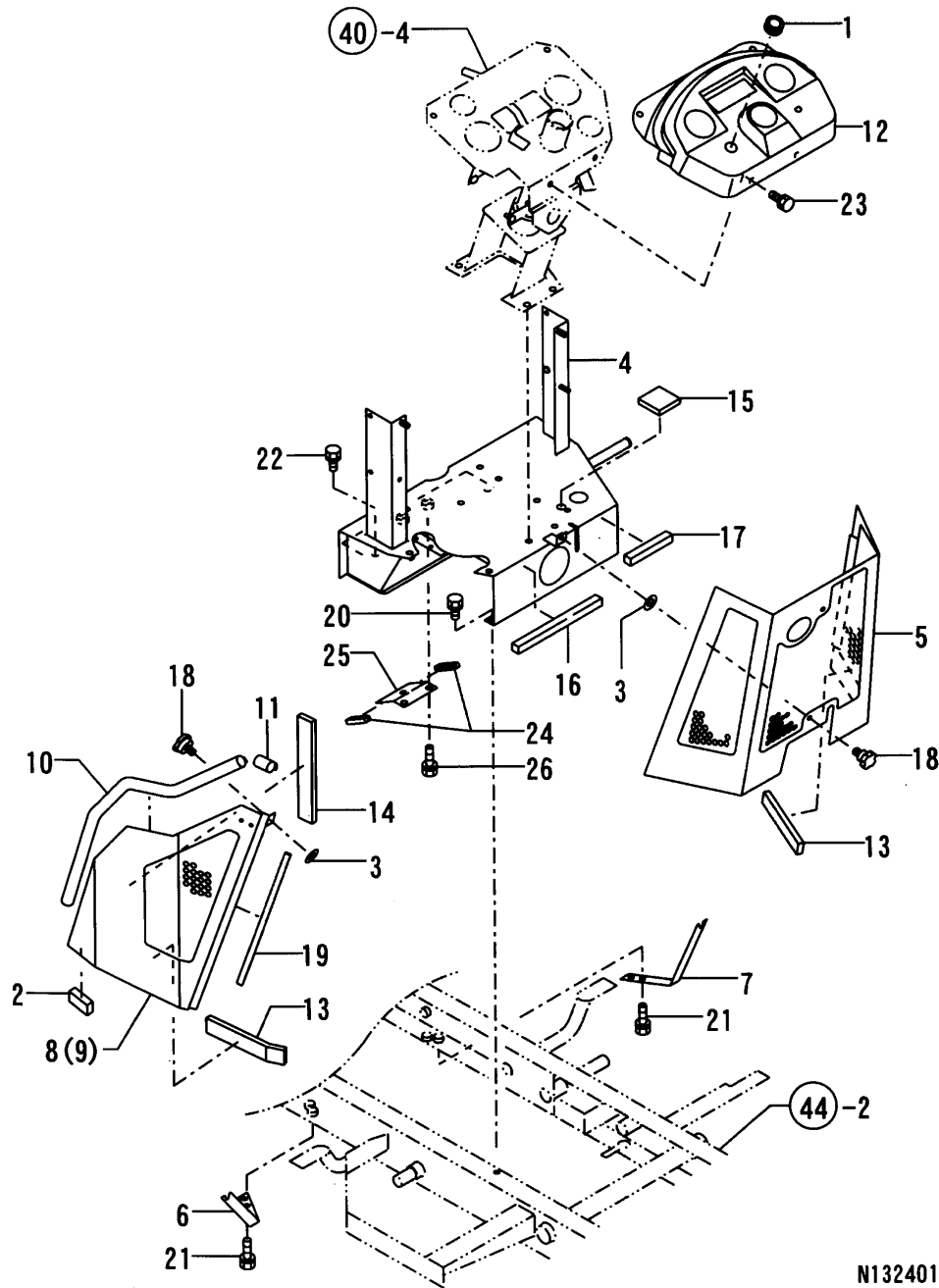
46. BONNET



REF.	LEV.	PARTS NO.	DESCRIPTION	QTY						I	R
				(A)	(B)	(C)	(D)	(E)	(F)		
1	1	1W0151-09066	SCREW	4							
2	1	194990-22140	NUT W/WASHER 8	2							
3	1	1A6150-41100	BONNET	1							
4	1	1A6150-41120	PAD, (RUBBER)	1							
5	1	1A6150-41150	COVER	1							
6	1	1A6150-41160	STAY	1							
7	1	1A6150-41300	HINGE COMP.,BONNET	1							
8	1	1A6150-41400	COVER A, COOLER	1							
9	1	1A6150-41550	SEAT COMP.,HINGE	2							
10	1	1A6150-54370	COLLAR 8X14X7	2							
11	1	1W4621-60320	MASK,FRONT	1							
12	1	198511-66220	BOLT M8X18,RD.HEAD.	2							
13	1	1E8080-78690	CATCHER	1							
14	1	22157-060000	WASHER 6	4							
15	1	22157-060000	WASHER 6	4							
16	1	22157-080000	WASHER 8	2							
17	1	22157-080000	WASHER 8	2							
18	1	26013-080162	BOLT W/WASHER M8X16	2							
19	1	26018-060162	BOLT M6X16	2							
20	1	26018-060202	BOLT M 6X 20	6							
21	1	26018-080252	BOLT M8X 25	4							
22	1	26018-080352	BOLT M8X35	2							
23	1	26022-060122	SCREW M 6X 12	2							
24	1	26716-060002	NUT 6	6							
25	1	26716-080002	NUT M 8	2							

Fig.47. COLUMU COVER(PST)

47. COLUMU COVER(PST)



OCNP3-G65800 47. COLUMU COVER(PST)

(A)=LE20

(B)=

(C)=

(D)=

(E)=

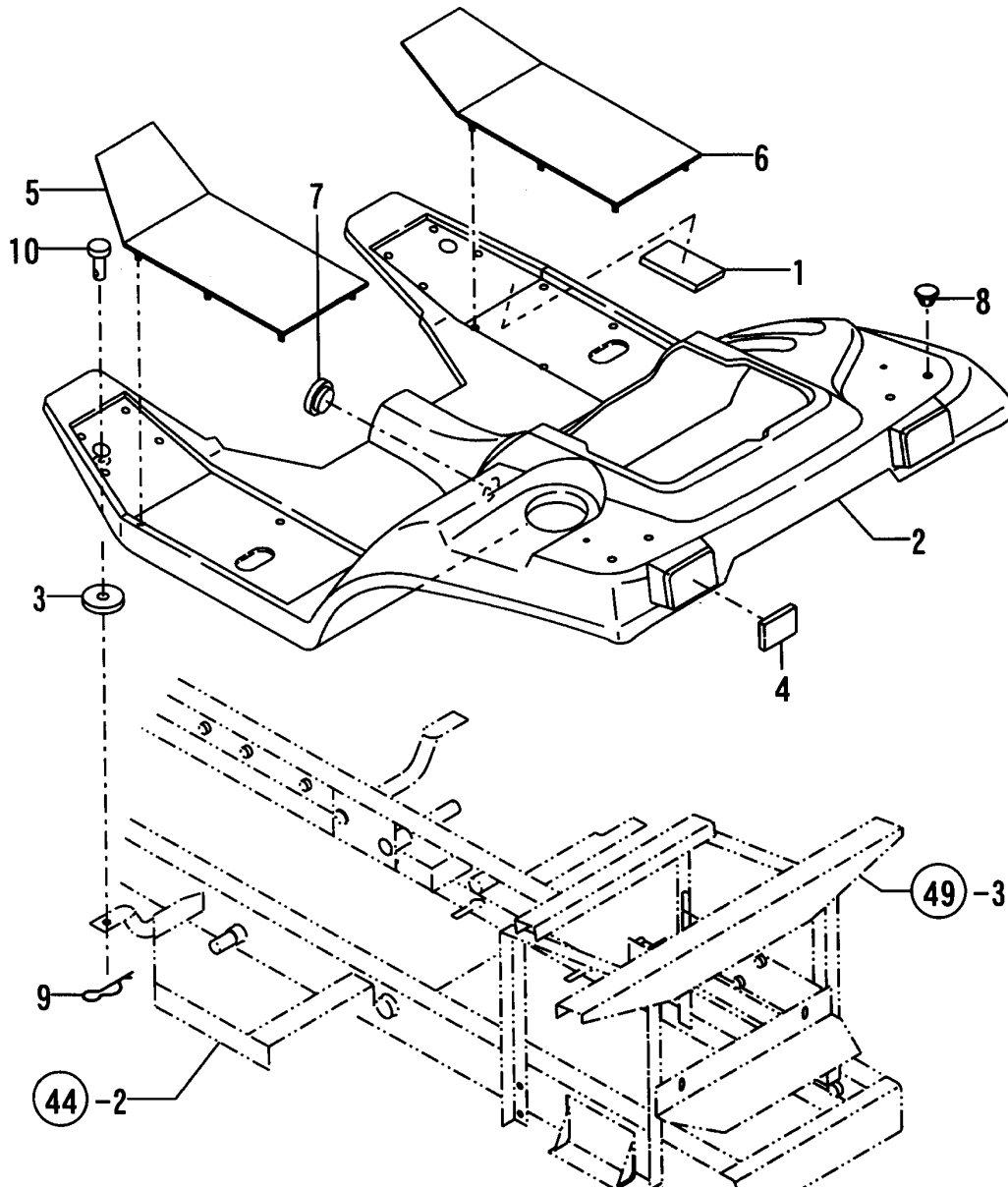
(F)=

REF.	LEV.	PARTS NO.	DESCRIPTION	QTY						I	R
				(A)	(B)	(C)	(D)	(E)	(F)		
1	1	172725-16380	GROMMET 15X20	1							
2	1	1E6680-26621	MOLDINGS A,CHAIN CVR	2							
3	1	1E6251-32530	RUBBER 74.5X16X1.5	4							
4	1	1A6157-42010	HOUSE COMP.,COLUMN	1							
5	1	1A6150-42300	COVER C COMP.,COLUMN	1							
6	1	1A6150-42380	STAY L,COLUMN FRONT	1							
7	1	1A6150-42390	STAY R,COLUMN FRONT	1							
8	1	1A6150-42401	COVER L COMP.,COLUMN	1							
9	1	1A6150-42500	COVER R COMP.,COLUMN	1							
10	1	1A6150-42581	SEAL,COLUMN COVER	2							
11	1	1A6150-42590	SEAL,COLUMN COVER B	2							
12	1	1A6150-42700	HANDLE PANEL	1							
13	1	1A6150-42710	SEAL 10X30X160	4							
14	1	1A6150-42720	SEAL 10X30X210	2							
15	1	1A6150-42740	SEAL 10X50X50	1							
16	1	1A6150-42750	SEAL 15X15X200	1							
17	1	1A6150-42760	SEAL 15X15X100	1							
18	1	1A1380-51700	KNOB,TOOL COMPARTMT	4							
19	1	1A6150-61891	RUBBER 250,EDGE	2							
20	1	26013-080202	BOLT W/WASHER M8X20	2							
21	1	26013-080202	BOLT W/WASHER M8X20	4							
22	1	26013-100202	BOLT W/WASHER M10X20	2							
23	1	26018-080162	BOLT M 8X 16	4							
24	1	1A6150-08270	CUSHION A,WR.HARNESS	2							
25	1	1A6157-05930	STAY,HOSE	1							
26	1	26013-080162	BOLT W/WASHER M8X16	2							

N132401

Fig.48. FENDER

48. FENDER



OCNP3-G65800 48. FENDER

(A)=LE20

(B)=

(C)=

(D)=

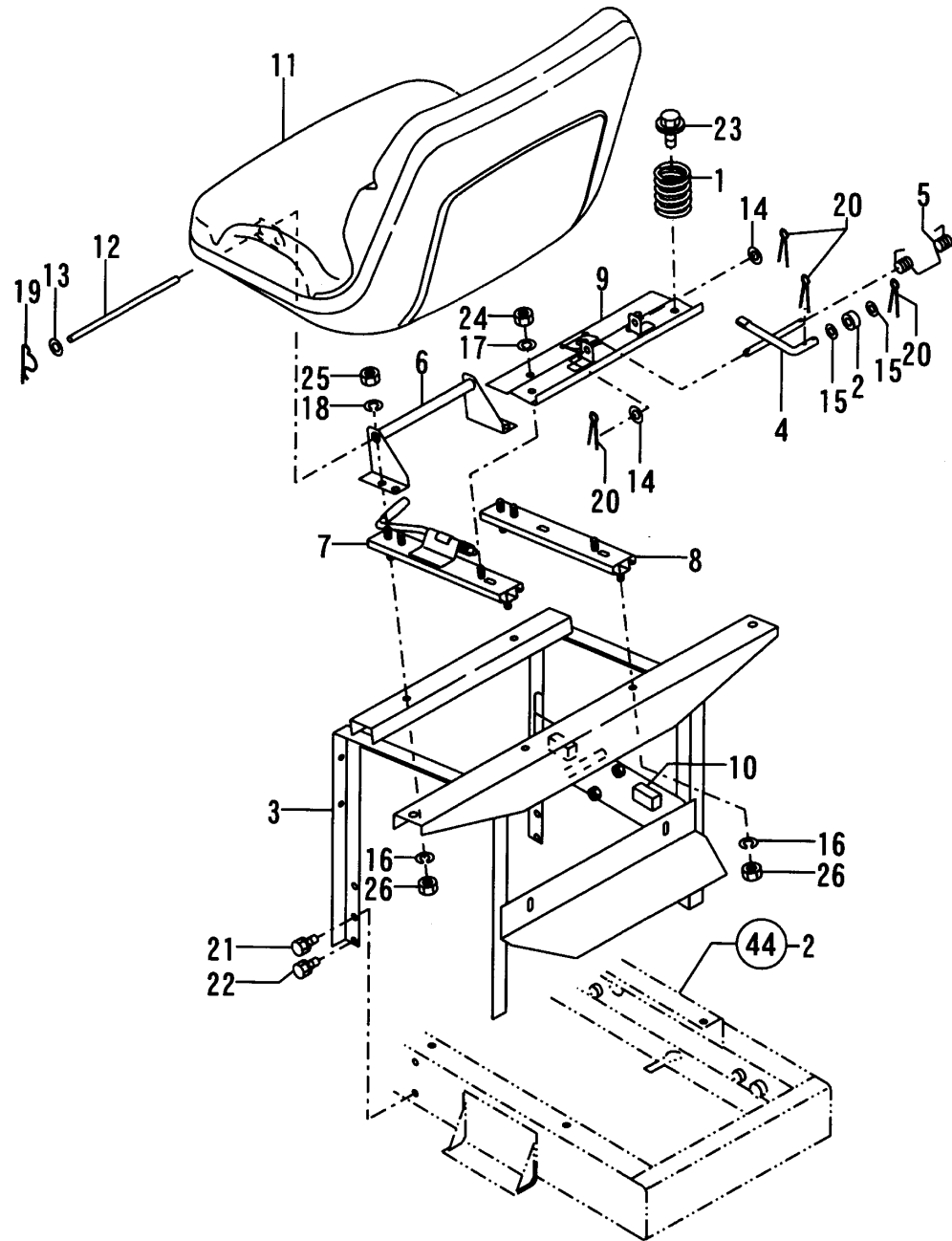
(E)=

(F)=

REF.	LEV.	PARTS NO.	DESCRIPTION	QTY						I	R
				(A)	(B)	(C)	(D)	(E)	(F)		
1	1	1E6910-04940	TAPE 20X70,SOFT	1							
2	1	7A6157-43010	PL CMP.,FENDER 20EU	1							
3	1	1A6150-43020	RUBBER, CUSHION	4							
4	1	1A6150-43030	REFLECTOR	2							
5	1	1A6150-43100	MAT L,RUBBER	1							
6	1	1A6150-43120	MAT R,RUBBER	1							
7	1	172730-61890	CAP	1							
8	1	1A6150-69890	CAP	4							
9	1	22360-100000	SNAP PIN 10	4							
10	1	22487-100160	PIN 10X 16	4							

Fig.49. OPERATOR SEAT

49. OPERATOR SEAT



(A)=LE20

(B)=

(C)=

(D)=

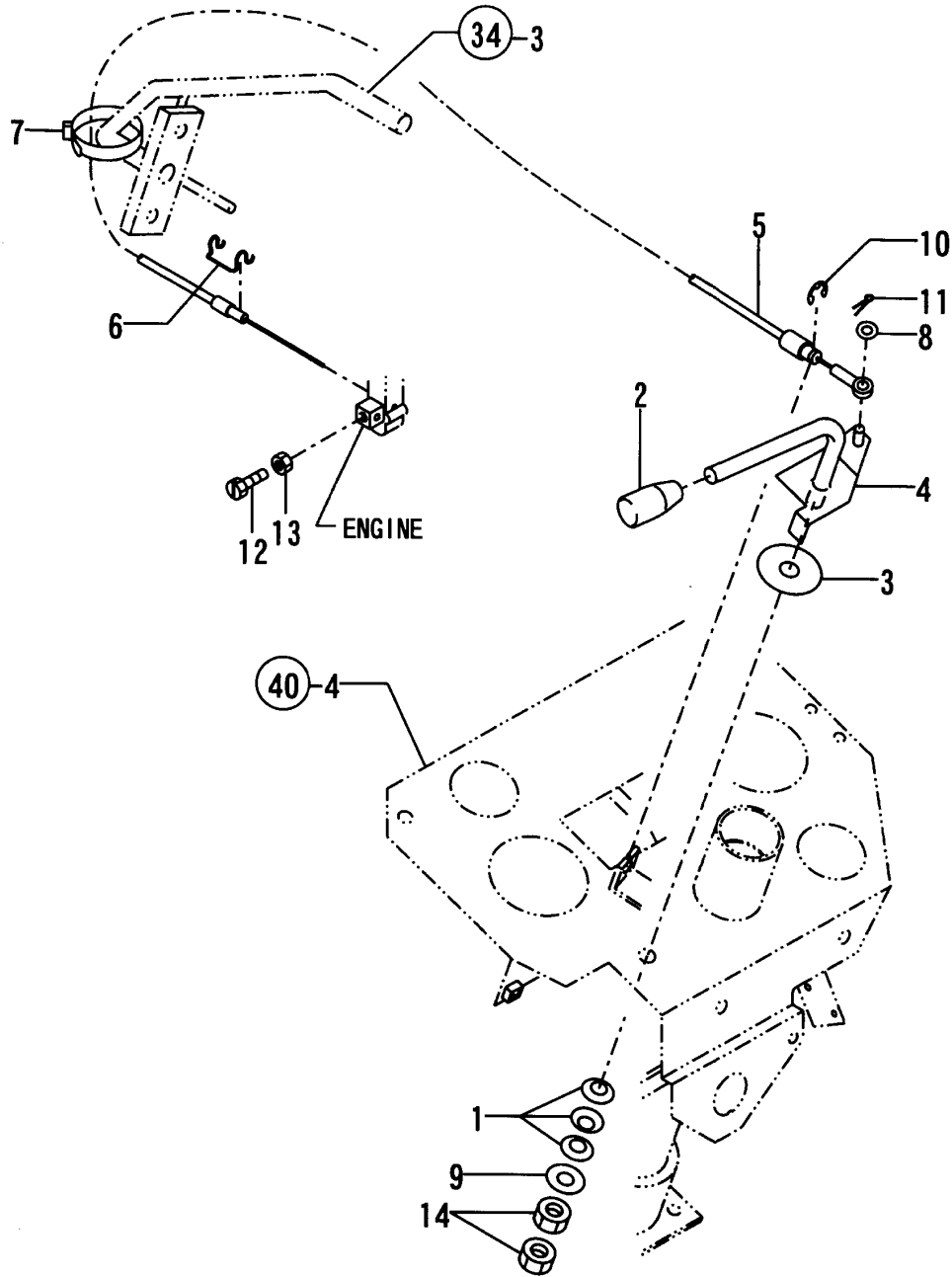
(E)=

(F)=

REF.	LEV.	PARTS NO.	DESCRIPTION	QTY						I	R
				(A)	(B)	(C)	(D)	(E)	(F)		
1	1	1W4982-11540	SPRING	2							
2	1	1W3985-11710	BUSHING	1							
3	1	1A6157-44150	BRACKET COMP, SEAT	1							
4	1	1A6150-44300	LEVER, GOVERNOR	1							
5	1	1A6150-44333	SPRING, LEVER RETURN	1							
6	1	1A6150-44350	STAY ASSY, SEAT	1							
7	1	1W4647-50140	ADJUSTER L	1							
8	1	1W4647-50150	ADJUSTER R	1							
9	1	1W4647-50160	BASE, OPR. SEAT PLATE	1							
10	1	198230-61880	STOPPER	2							
11	1	198511-63100	SEAT COMPL.	1							
12	1	198511-63120	PIN, OPR. SEAT HINGE	1							
13	1	22117-080000	WASHER 8	2							
14	1	22117-080000	WASHER 8	2							
15	1	22117-100000	WASHER 10	2							
16	1	22217-080000	SPRING WASHER 8	4							
17	1	22217-080000	SPRING WASHER 8	2							
18	1	22217-080000	SPRING WASHER 8	4							
19	1	22360-080000	SNAP PIN 8	2							
20	1	22417-250200	COTTER PIN 2.5X20	4							
21	1	26013-080202	BOLT W/WASHER M8X20	8							
22	1	26013-100202	BOLT W/WASHER M10X20	2							
23	1	26018-080202	BOLT M 8X 20	2							
24	1	26716-080002	NUT M 8	2							
25	1	26716-080002	NUT M 8	4							
26	1	26716-080002	NUT M 8	4							

Fig.50. ENGINE CONTROL

50. ENGINE CONTROL



(A)=LE20

(B)=

(C)=

(D)=

(E)=

(F)=

REF.	LEV.	PARTS NO.	DESCRIPTION	QTY						I	R
				(A)	(B)	(C)	(D)	(E)	(F)		
1	1	194740-00160	WASHER 10, CONICAL	3							
2	1	194150-01190	KNOB, THROTTLE LEVER	1							
3	1	198220-01261	PLATE, FRICTION	1							
4	1	1A6150-51010	LEVER,	1							
5	1	1A6150-51101	WIRE, ACCEL	1							
6	1	1A6150-51110	SPRING, ACCEL.WIRE LC	1							
7	1	1E6102-84960	BAND 250,WIRE LOCK	1							
8	1	22117-060000	WASHER 6	1							
9	1	22137-100000	WASHER 10,POLISHED	1							
10	1	22273-000070	CIRCLIP E- 7	1							
11	1	22417-160160	COTTER PIN 1.6X16	1							
12	1	26117-040088	BOLT M 4X 8 PLATED	1							
13	1	26716-040002	NUT M 4	1							
14	1	26756-100002	LOCK NUT M10 PLATED	2							

Fig.51. CHANGE CONTROL

(A)=LE20

(B)=

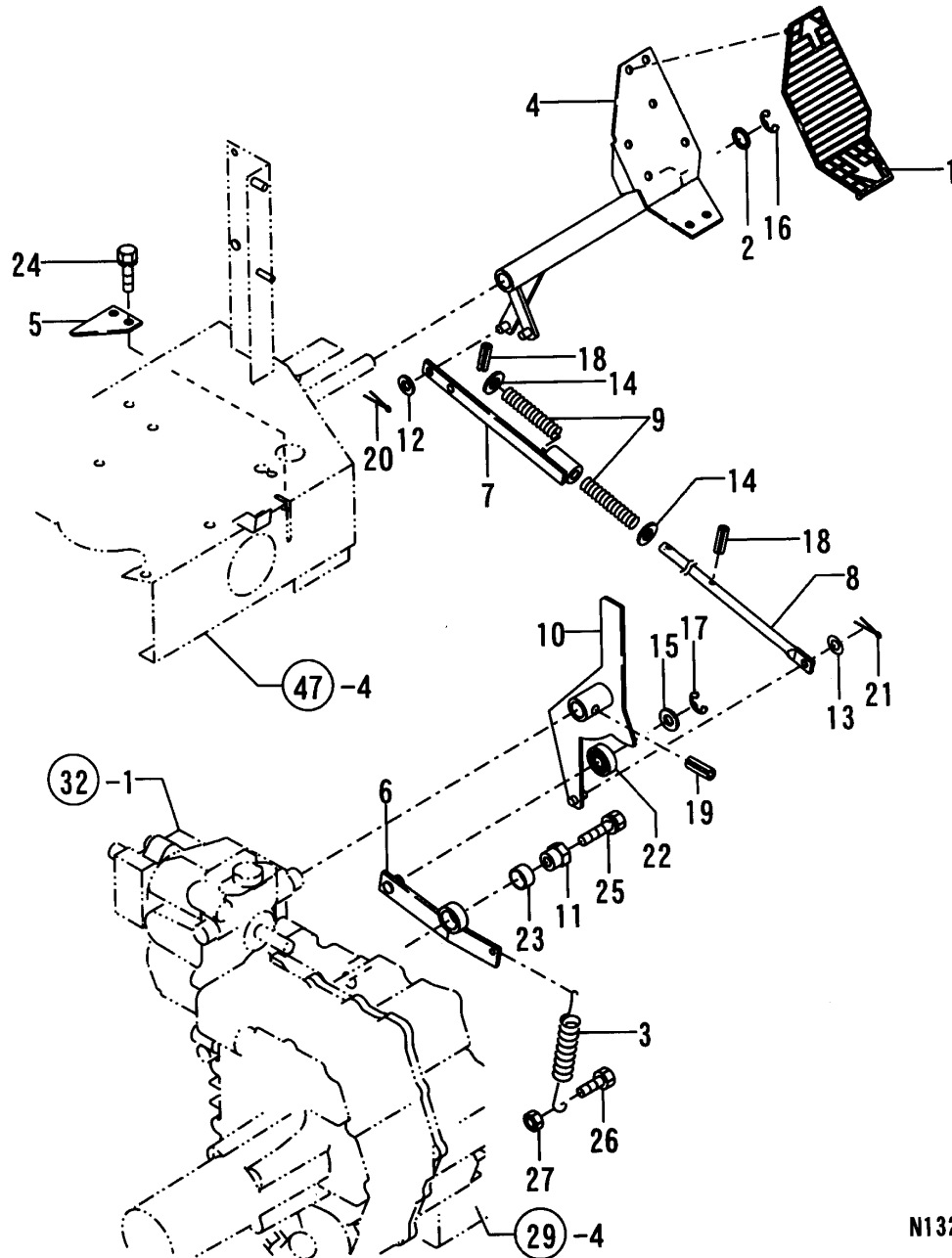
(C)=

(D)=

(E)=

(F)=

51. CHANGE CONTROL

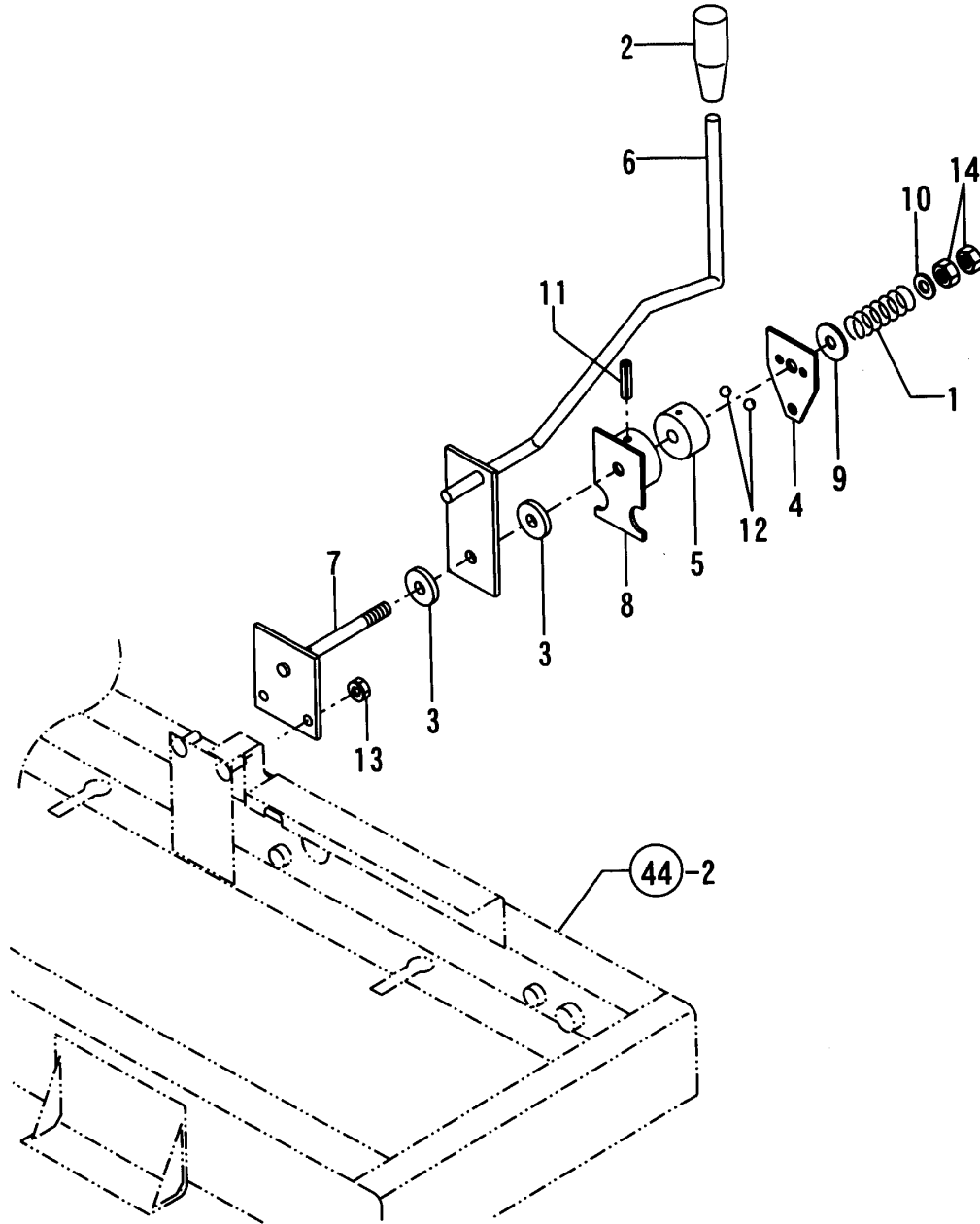


REF.	LEV.	PARTS NO.	DESCRIPTION	QTY						I	R
				(A)	(B)	(C)	(D)	(E)	(F)		
1	1	1W4981-10441	RUBBER	1							
2	1	1A1380-23710	WASHER 16.5X23X2	1							
3	1	194200-37510	SPRING, RETURN	1							
4	1	1A6150-53100	PEDAL COMP.,HST	1							
5	1	1A6150-53180	STOPPER,HST PEDAL	1							
6	1	1A6150-53200	ARM COMP.,NEUTRAL	1							
7	1	1A6150-53300	ROD A COMP.,CHANGE	1							
8	1	1A6150-53321	ROD B,CHANGE	1							
9	1	1A6150-53341	SPRING,HST ROD	2							
10	1	1A6150-53350	CAM COMP.,NEUTRAL	1							
11	1	1A6150-53380	SHAFT	1							
12	1	22117-080000	WASHER 8	1							
13	1	22117-080000	WASHER 8	1							
14	1	22117-100000	WASHER 10	2							
15	1	22117-120000	WASHER 12	1							
16	1	22272-000120	CIRCLIP E-12	1							
17	1	22273-000090	CIRCLIP E- 9	1							
18	1	22351-030020	SPRING PIN 3X20	2							
19	1	22351-060032	SPRING PIN 6X32	1							
20	1	22417-250200	COTTER PIN 2.5X20	1							
21	1	22417-250200	COTTER PIN 2.5X20	1							
22	1	24104-062014	BALL BEARING 6201UU	1							
23	1	24550-020120	BUSH 20X12,DRY	1							
24	1	26013-080202	BOLT W/WASHER M8X20	2							
25	1	26013-100402	BOLT M10X 40	1							
26	1	26116-080252	BOLT M 8X 25 PLATED	1							
27	1	26716-080002	NUT M 8	1							

N132405

Fig.52. CRUISE CONTROL

52. CRUISE CONTROL



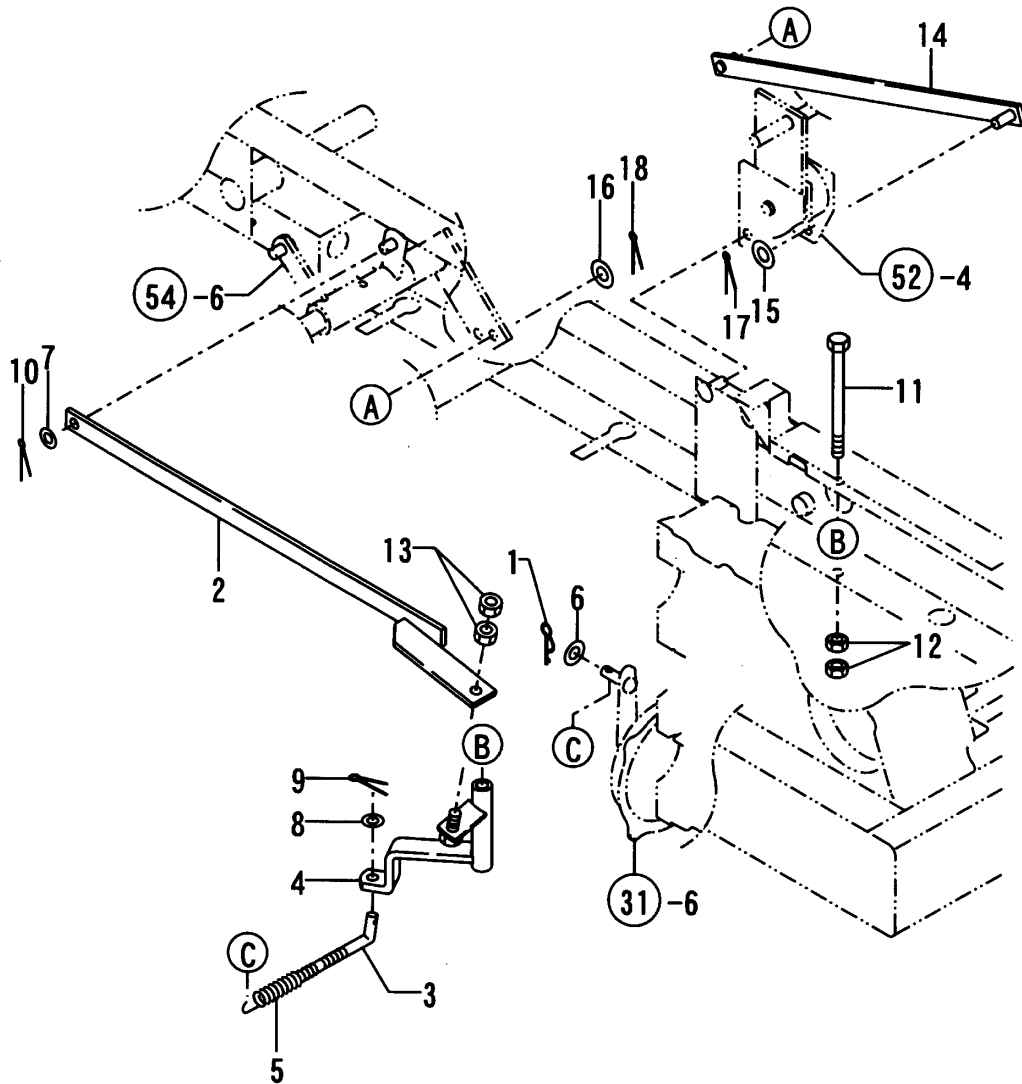
(A)=LE20
(B)=
(C)=

(D)=
(E)=
(F)=

REF.	LEV.	PARTS NO.	DESCRIPTION	QTY						I	R
				(A)	(B)	(C)	(D)	(E)	(F)		
1	1	194630-01150	SPRING	1							
2	1	194940-01230	KNOB,ACCELERAT.LEVER	1							
3	1	198220-01261	PLATE, FRICTION	2							
4	1	1A6150-53420	CAM A	1							
5	1	1A6150-53430	CAM B	1							
6	1	1A6150-53440	LEVER COMP.,CRUISE	1							
7	1	1A6150-53470	SHAFT COMP.,CRUISE	1							
8	1	1A6150-53500	PLATE ASSY, PRESSURE	1							
9	1	172147-61520	SPACER	1							
10	1	22137-100000	WASHER 10,POLISHED	1							
11	1	22351-040032	SPRING PIN 4X32	1							
12	1	24190-100003	BALL 5/16	2							
13	1	26051-080002	NUT M 8	2							
14	1	26756-100002	LOCK NUT M10 PLATED	2							

Fig.53. BRAKE ROD

53. BRAKE ROD



(A)=LE20

(B)=

(C)=

(D)=

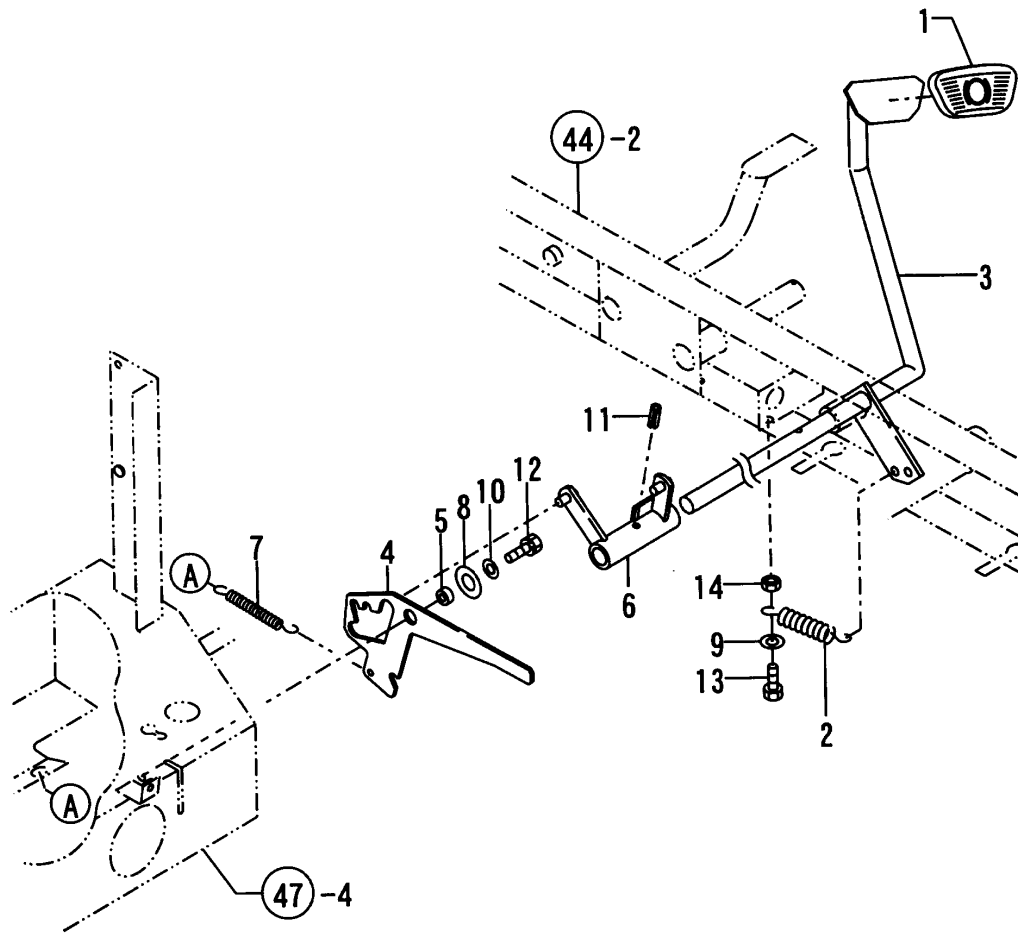
(E)=

(F)=

REF.	LEV.	PARTS NO.	DESCRIPTION	QTY						I	R
				(A)	(B)	(C)	(D)	(E)	(F)		
1	1	1C6281-52310	PIN 6, COME-OFF SNAP	1							
2	1	1A6150-54540	ROD A COMP., BRAKE	1							
3	1	1A6150-54580	ROD C, BRAKE	1							
4	1	1A6150-54700	LINK COMP., BRAKE ROD	1							
5	1	1A1550-56250	SPRING, BRAKE	1							
6	1	22117-060000	WASHER 6	1							
7	1	22117-080000	WASHER 8	1							
8	1	22117-080000	WASHER 8	1							
9	1	22417-250200	COTTER PIN 2.5X20	1							
10	1	22417-250200	COTTER PIN 2.5X20	1							
11	1	26116-081002	BOLT M 8X100 PLATED	1							
12	1	26716-080002	NUT M 8	2							
13	1	26716-080002	NUT M 8	2							
14	1	1A6150-53600	ROD B COMP., BRAKE	1							
15	1	22117-080000	WASHER 8	1							
16	1	22117-080000	WASHER 8	1							
17	1	22417-250200	COTTER PIN 2.5X20	1							
18	1	22417-250200	COTTER PIN 2.5X20	1							

Fig.54. BRAKE PEDAL

54. BRAKE PEDAL



OCNP3-G65800 54. BRAKE PEDAL

(A)=LE20

(B)=

(C)=

(D)=

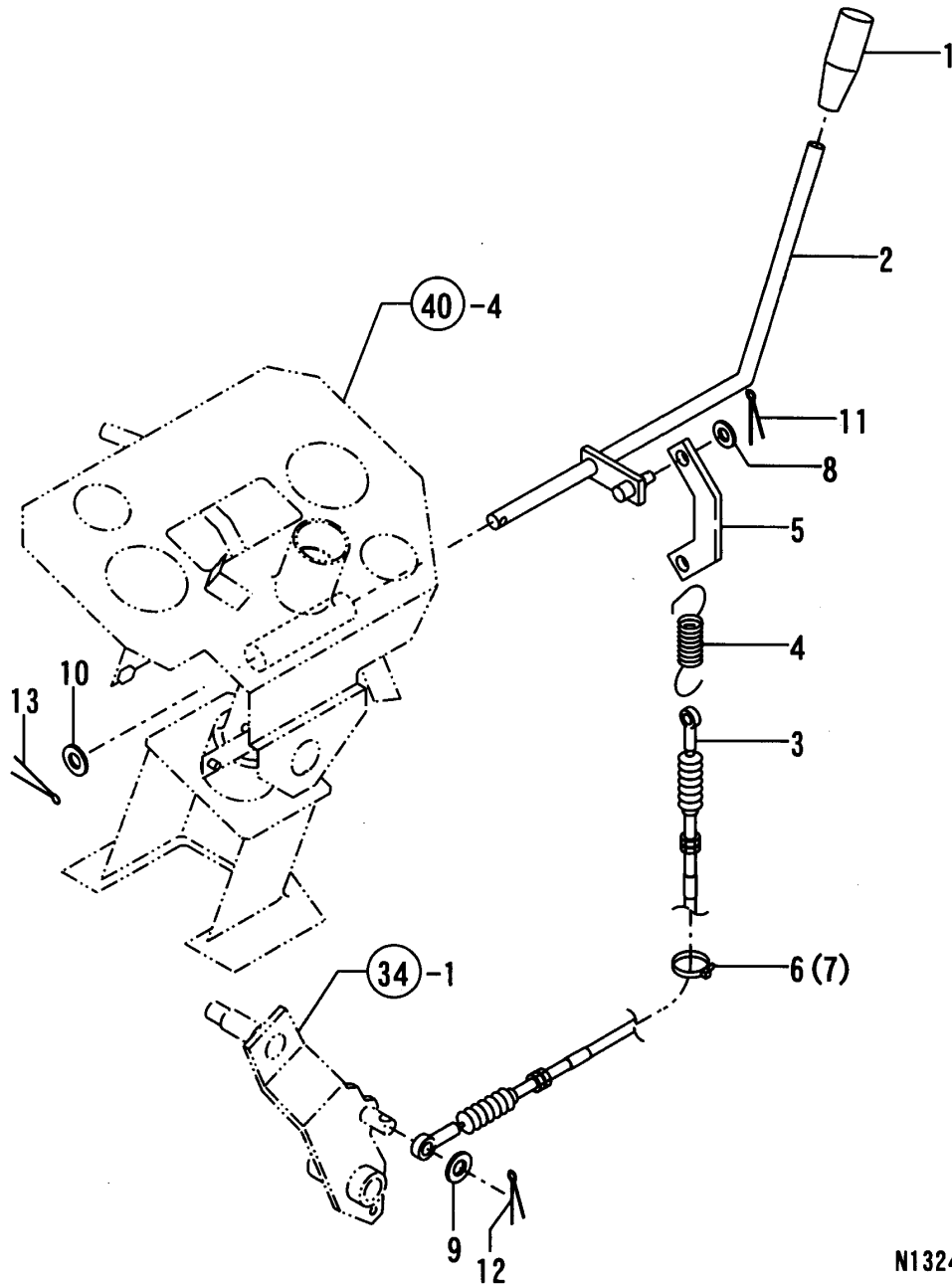
(E)=

(F)=

REF.	LEV.	PARTS NO.	DESCRIPTION	Q'TY						I	R
				(A)	(B)	(C)	(D)	(E)	(F)		
1	1	1W4981-10850	RUBBER	1							
2	1	194200-37510	SPRING, RETURN	1							
3	1	1A6150-54301	PEDAL ASSY	1							
4	1	1A6150-54360	LOCK PLATE	1							
5	1	1A6150-54370	COLLAR 8X14X7	1							
6	1	1A6150-54400	LINK, BRAKE	1							
7	1	1A6150-54650	SPRING,PAKING BRAKE	1							
8	1	1E6030-73130	COLLAR 14.5X32X3.2	1							
9	1	22137-080000	WASHER 8, POLISHED	1							
10	1	22137-080000	WASHER 8, POLISHED	1							
11	1	22351-060032	SPRING PIN 6X32	1							
12	1	26013-080252	BOLT M 8X 25	1							
13	1	26116-080352	BOLT M 8X 35	1							
14	1	26716-080002	NUT M 8	1							

Fig.55. CLUTCH LEVER

55. CLUTCH LEVER



OCNP3-G65800 55. CLUTCH LEVER

(A)=LE20

(B)=

(C)=

(D)=

(E)=

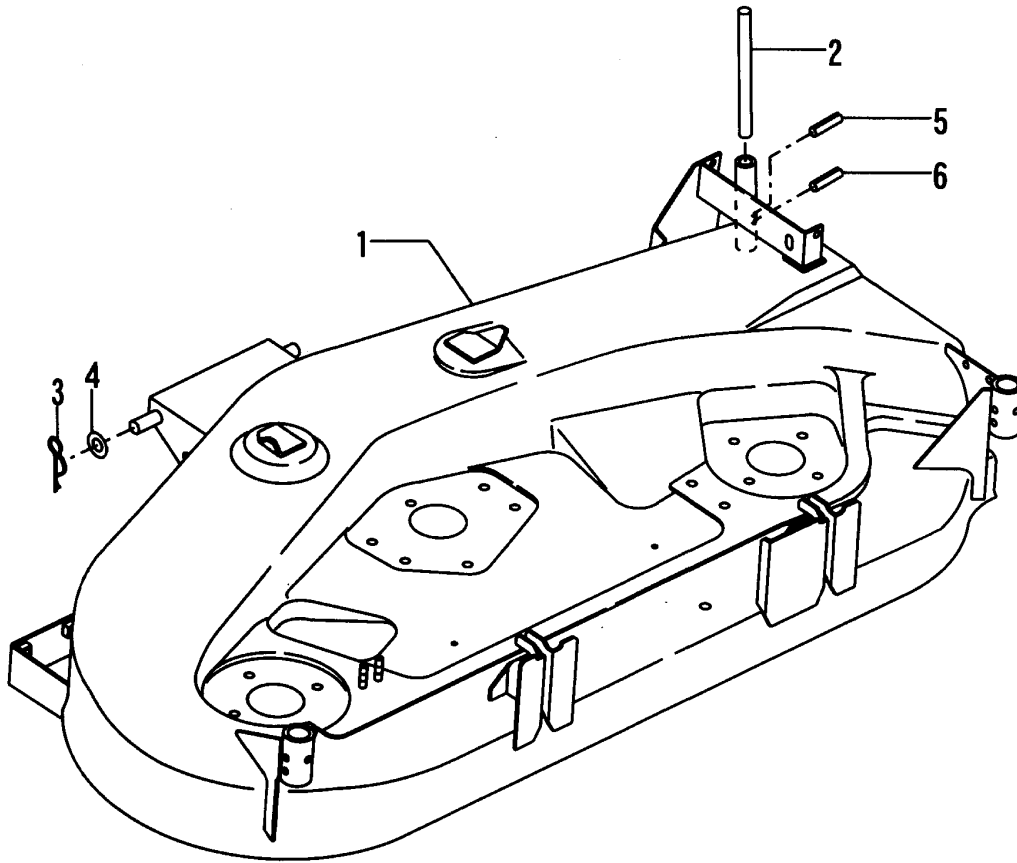
(F)=

REF.	LEV.	PARTS NO.	DESCRIPTION	QTY						I	R
				(A)	(B)	(C)	(D)	(E)	(F)		
1	1	194940-01230	KNOB,ACCELERAT.LEVER	1							
2	1	1A6150-57100	LEVER, P.T.O.	1							
3	1	1A6150-57201	WIRE,P.T.O.CLUTCH	1							
4	1	1A6150-57211	SPRING	1							
5	1	1A6150-57220	LINK	1							
6	1	1E6102-84960	BAND 250,WIRE LOCK	2							
7	1	1E6102-84970	BAND 140,WIRE LOCK	1							
8	1	22117-080000	WASHER 8	1							
9	1	22117-080000	WASHER 8	1							
10	1	22117-120000	WASHER 12	1							
11	1	22417-200160	COTTER PIN 2.0X16	1							
12	1	22417-200160	COTTER PIN 2.0X16	1							
13	1	22417-250200	COTTER PIN 2.5X20	1							

N132409

Fig.56. MOWER DECK

56. MOWER DECK



0CNP3-G65800 56. MOWER DECK

(A)=LE20

(B)=

(C)=

(D)=

(E)=

(F)=

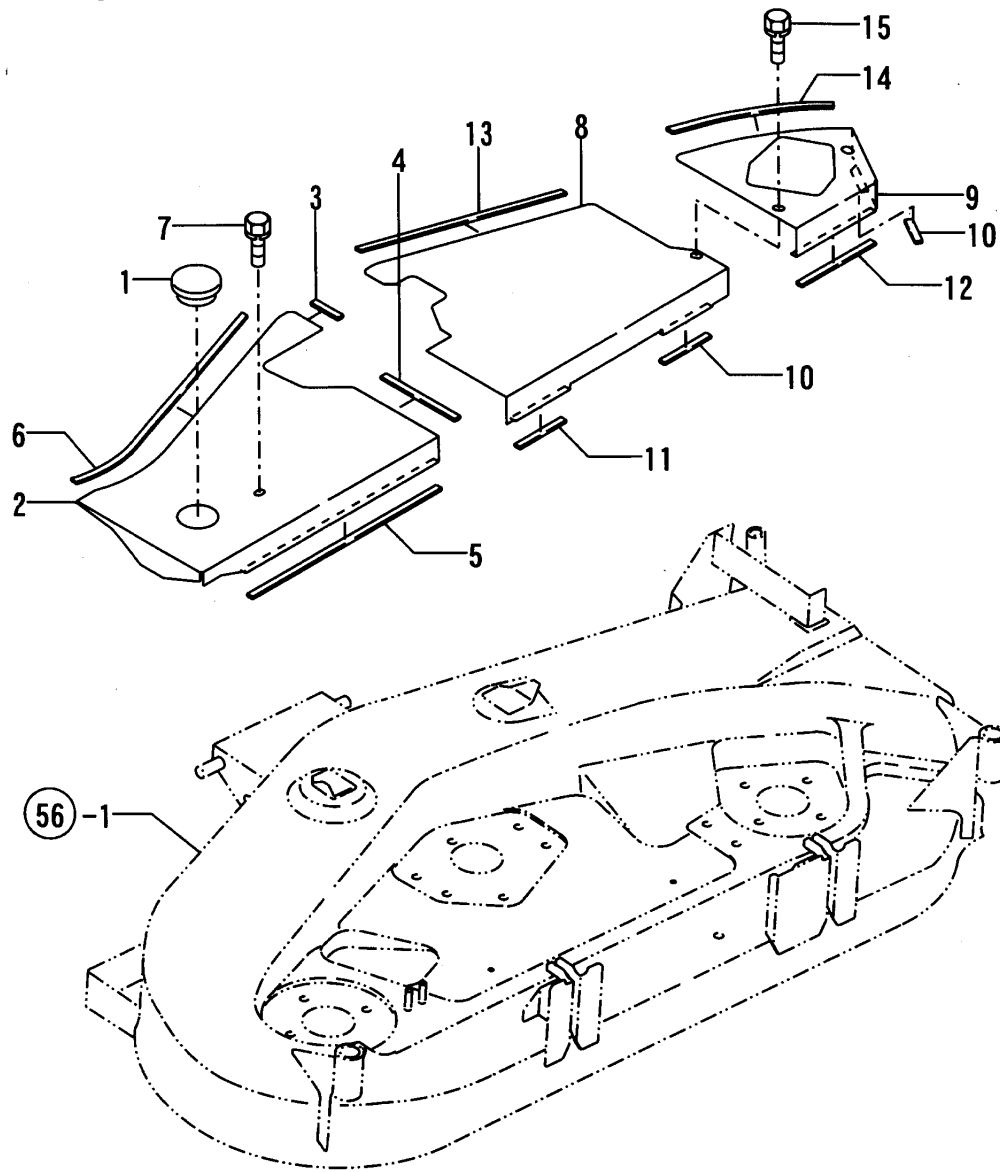
REF.	LEV.	PARTS NO.	DESCRIPTION	QTY						I	R	
				(A)	(B)	(C)	(D)	(E)	(F)			
1	1	7A6150-61002	PL CMP.,MOWER DECK	1								
2	1	1A6150-61320	SHAFT,	1								
3	1	1A6150-73700	SNAP PIN 16	2								
4	1	22137-160000	WASHER 16,POLISHED	2								
5	1	22351-050025	SPRING PIN 5X25	1								
6	1	22351-060025	SPRING PIN 6X25	1								

Remarks

* LE20MCEU SPEC.
FOR LE20REU SPEC., REFER TO ITEM
NO.69.

Fig.57. MOWER COVER

57. MOWER COVER



(A)=LE20

(B)=

(C)=

(D)=

(E)=

(F)=

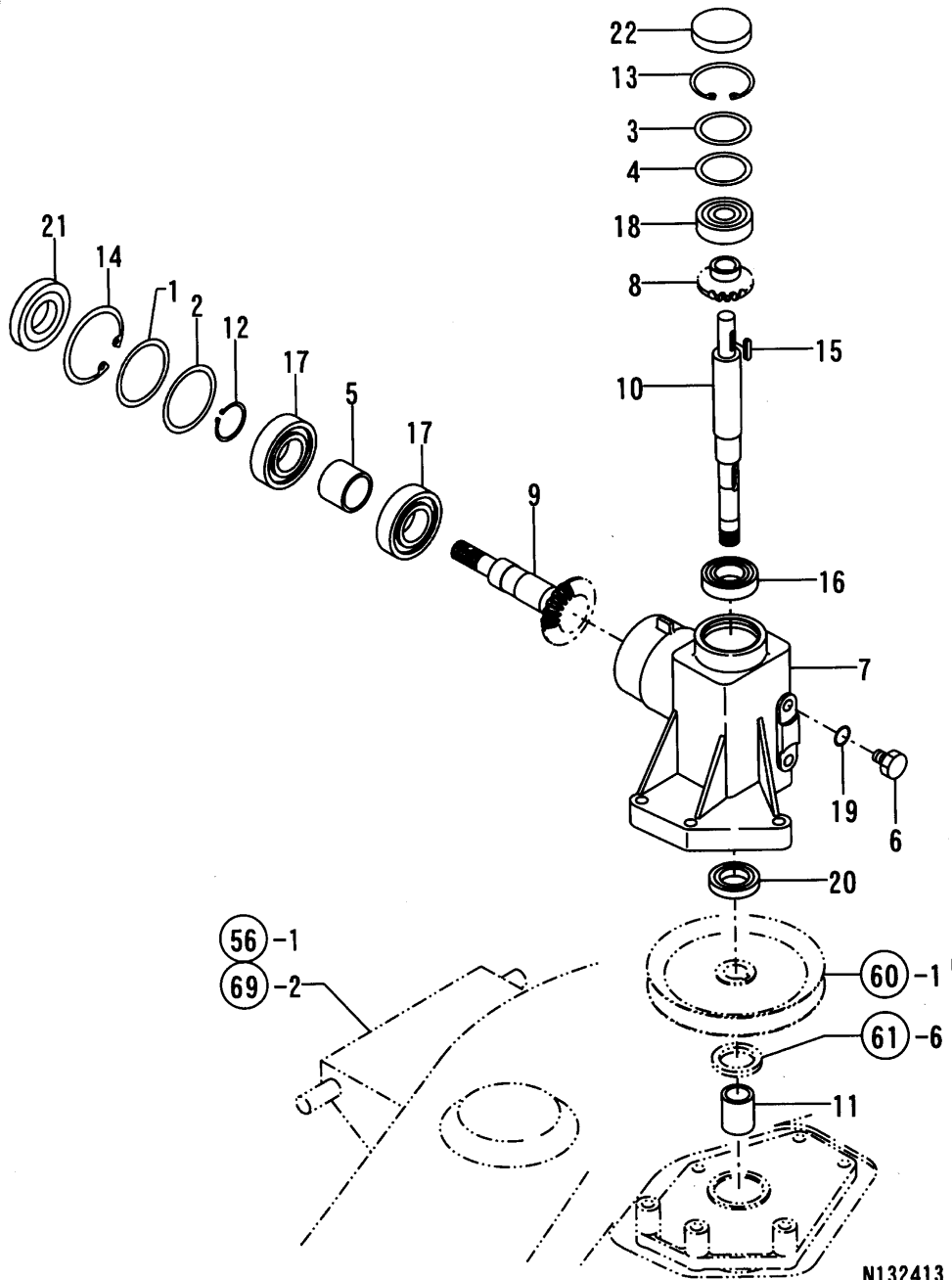
REF.	LEV.	PARTS NO.	DESCRIPTION	QTY						I	R
				(A)	(B)	(C)	(D)	(E)	(F)		
1	1	1E6470-37420	CAP 60	1							
2	1	1A6150-61701	COVER (L)	1							
3	1	1A6150-61830	SEAL 3X10X50	1							
4	1	1A6150-61850	SEAL 3X10X135	1							
5	1	1A6150-61870	SEAL 3X10X345	1							
6	1	1E8050-83240	MOLDINGS 440	1							
7	1	26018-080162	BOLT M 8X 16	1							
8	1	1A6150-61770	COVER	1							
9	1	1A6150-61801	COVER(R)	1							
10	1	1A6150-61830	SEAL 3X10X50	2							
11	1	1A6150-61840	SEAL 3X10X85	1							
12	1	1A6150-61850	SEAL 3X10X135	1							
13	1	1A6150-61891	RUBBER 250,EDGE	1							
14	1	1A6150-61900	RUBBER 220,EDGE	1							
15	1	26018-080162	BOLT M 8X 16	1							

56-1

Remarks
 LE20MCEU SPEC.
 FOR LE20REU SPEC., REFER TO ITEM
 NO.70

Fig.59. MOWER IN-PUT

59. MOWER IN-PUT



N132413

(A)=LE20

(B)=

(C)=

(D)=

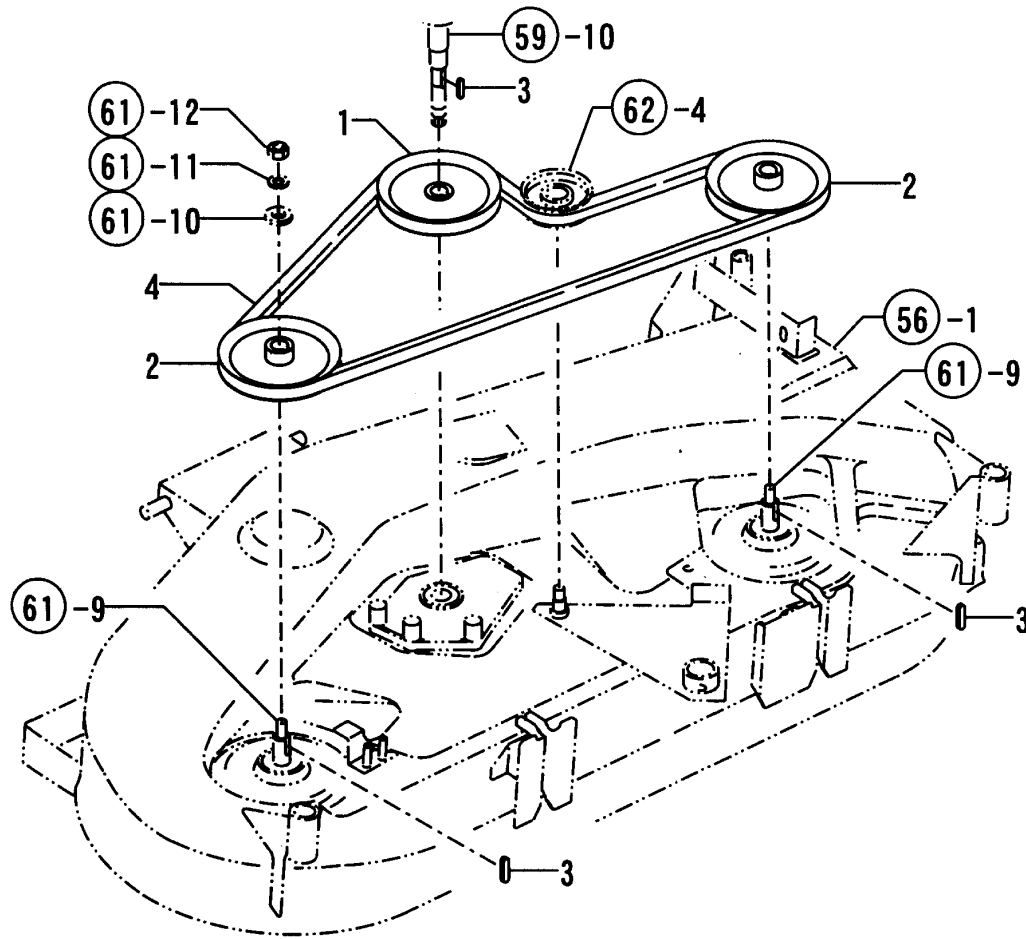
(E)=

(F)=

REF.	LEV.	PARTS NO.	DESCRIPTION	Q'TY						I	R
				(A)	(B)	(C)	(D)	(E)	(F)		
1	1	194194-13570	SHIM T=0.1	1							
2	1	194194-13580	SHIM T=0.3	1							
3	1	194200-25590	SHIM T=0.1	1							
4	1	194200-25600	SHIM T=0.3	1							
5	1	198511-26200	COLLAR 30X36X27.3	1							
6	1	1A1040-48070	PLUG 10	2							
7	1	1A6150-62010	CASE,BEVEL GEAR	1							
8	1	1A6150-62070	GEAR 16T,BEVEL	1							
9	1	1A6150-62090	GEAR 21T,BEVEL	1							
10	1	1A6150-62100	SHAFT,BEVEL GEAR	1							
11	1	1A6150-62200	COLLAR 20X27X32	1							
12	1	22242-000300	CIRCLIP 30	1							
13	1	22252-000471	CIRCLIP 47	1							
14	1	22252-000621	CIRCRIP 62	1							
15	1	22550-050200	KEY 5X20	1							
16	1	24101-060054	BALL BEARING 6005	1							
17	1	24101-062064	BALL BEARING 6206	2							
18	1	24101-063034	BALL BEARING	1							
19	1	24311-000125	O-RING 1A P-12.5	2							
20	1	24421-254208	SEAL TC25 42 08, OIL	1							
21	1	24421-306210	SEAL TC30 62 10, OIL	1							
22	1	27260-470001	PLUG 47,COLLAR BORE	1							

Fig.60. MOWER PULLEY & BELT

60. MOWER PULLEY & BELT



0CNP3-G65800 60. MOWER PULLEY & BELT

(A)=LE20

(B)=

(C)=

(D)=

(E)=

(F)=

REF.	LEV.	PARTS NO.	DESCRIPTION	QTY						I	R
				(A)	(B)	(C)	(D)	(E)	(F)		
1	1	1A6150-63010	V-PULLEY 146B1	1							
2	1	1A6150-63160	V-PULLEY 146B2	2							
3	1	22550-070200	KEY 7X20	3							
4	1	25123-009001	V-BELT SP.B 90 H	1							

Remarks
 * LE20MCEU SPEC.
 FOR LE20REU SPEC., REFER TO ITEM
 NO.63.

Fig.61. BLADE HOLDER & SHAFT

(A)=LE20

(B)=

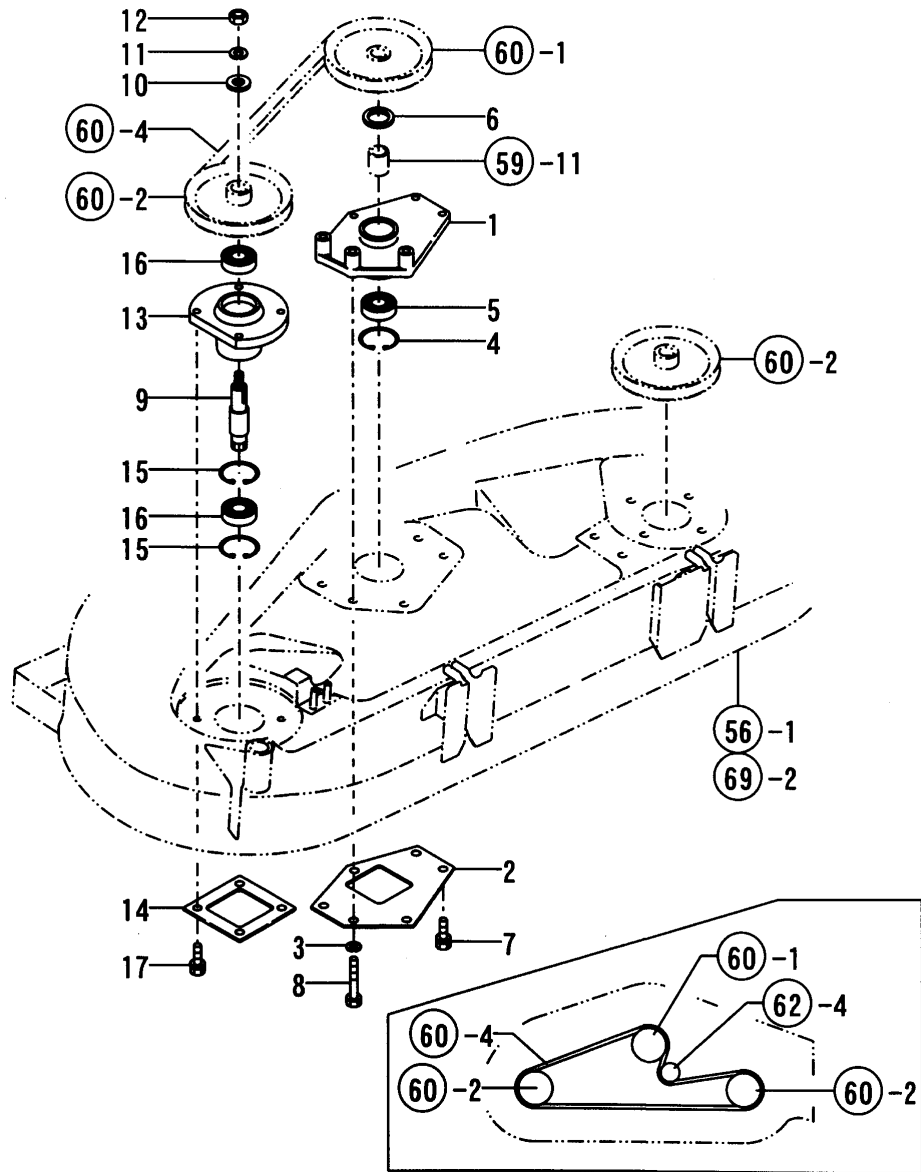
(C)=

(D)=

(E)=

(F)=

61. BLADE HOLDER & SHAFT

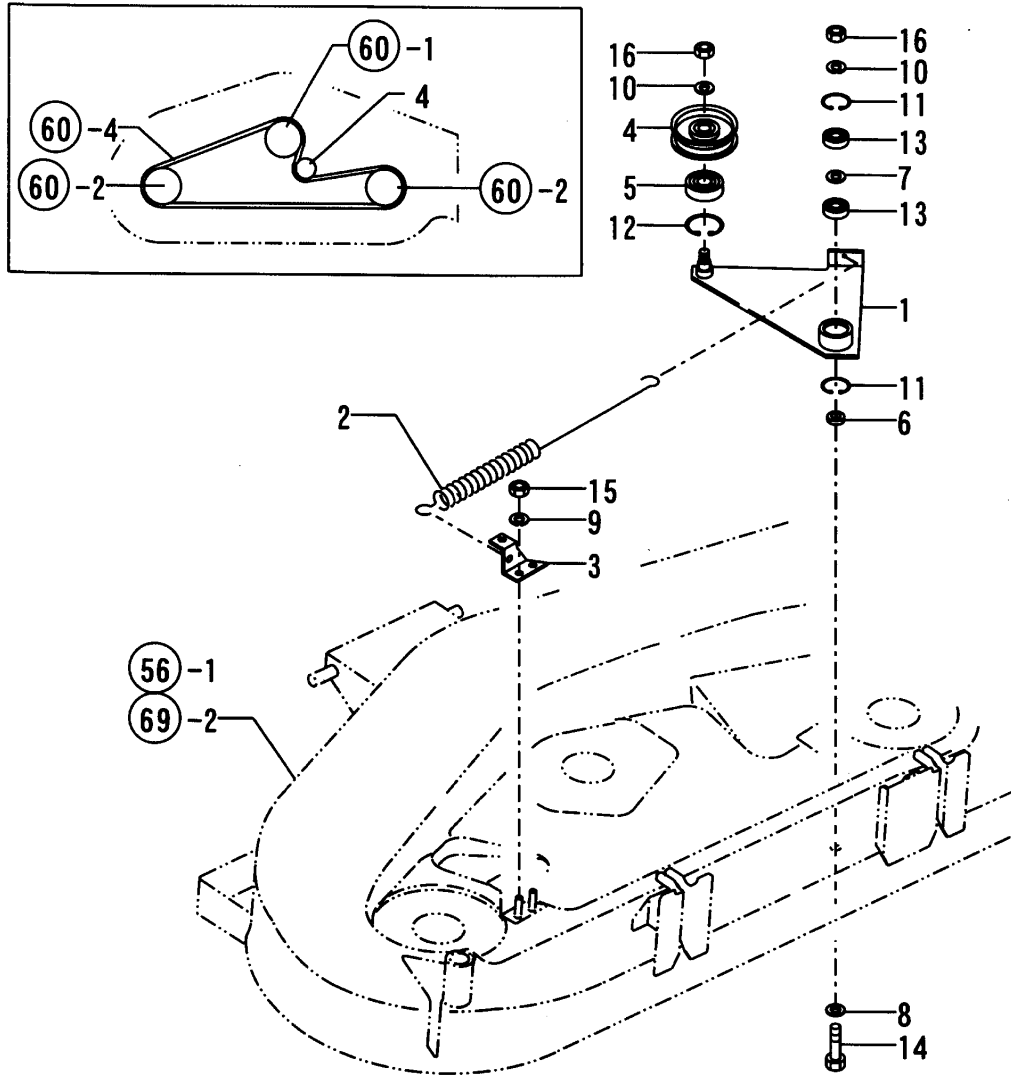


REF.	LEV.	PARTS NO.	DESCRIPTION	QTY						I	R
				(A)	(B)	(C)	(D)	(E)	(F)		
1	1	1A6150-63030	HOLDER,CENTER PULLEY	1							
2	1	1A6150-63050	SUPPORT A,HOLDER	1							
3	1	22217-100000	SPRING WASHER 10	3							
4	1	22252-000471	CIRCLIP 47	1							
5	1	24104-062044	BALL BEARING	1							
6	1	24430-304205	SEAL VC304205,OIL	1							
7	1	26013-100252	BOLT W/WASHER M10X25	3							
8	1	26116-100702	BOLT M10X 70 PLATED	3							
9	1	1A6150-63101	SHAFT,BLADE	1							
10	1	22157-120000	WASHER 12	1							
11	1	22217-120000	SPRING WASHER 12	1							
12	1	26716-120002	NUT 12	1							
13	1	1A6150-63250	HOLDER,SIDE PULLEY	1							
14	1	1A6150-63270	SUPPORT B,HOLDER	1							
15	1	22252-000471	CIRCLIP 47	2							
16	1	24104-062044	BALL BEARING	2							
17	1	26013-100252	BOLT W/WASHER M10X25	4							

Remarks
 * LE20MCEU SPEC.
 FOR LE20REU SPEC., REFER TO ITEM
 NO.64.

Fig.62. TENSION ARM

62. TENSION ARM



OCNP3-G65800 62. TENSION ARM

(A)=LE20

(B)=

(C)=

(D)=

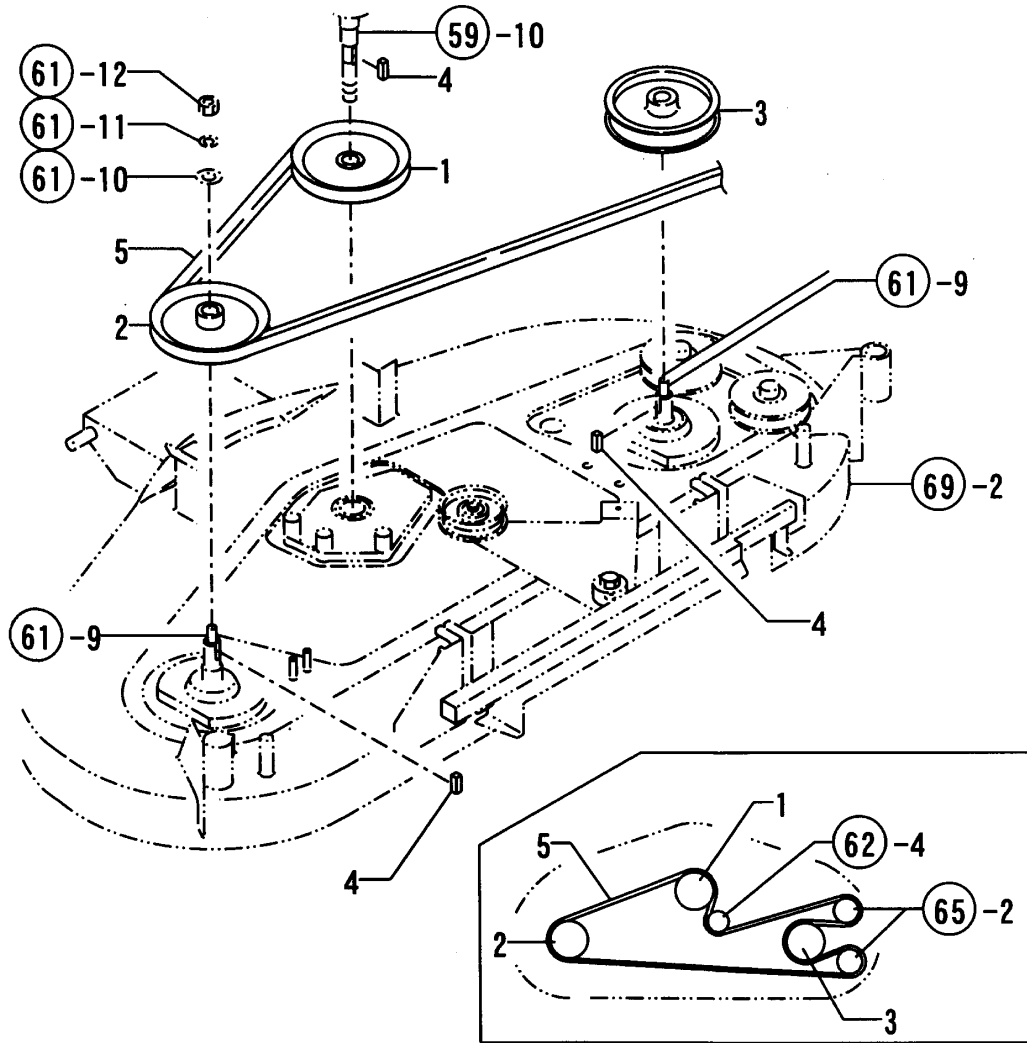
(E)=

(F)=

REF.	LEV.	PARTS NO.	DESCRIPTION	QTY						I	R	
				(A)	(B)	(C)	(D)	(E)	(F)			
1	1	1A6150-63301	ARM COMP.,TENSION	1								
2	1	1A6150-63350	SPRING, TENSION	1								
3	1	1A6150-63400	BRACKET COMP.,HOOK	1								
4	1	1A6150-63501	ROLLER, TENSION	1								
5	1	1A6150-63550	BB6302UU,HEAT-RESIS	1								
6	1	1E8060-65760	ROLLER 12X22X5.8	1								
7	1	22117-120000	WASHER 12	1								
8	1	22137-120000	WASHER 12,POLISHED	1								
9	1	22217-080000	SPRING WASHER 8	2								
10	1	22217-120000	SPRING WASHER 12	2								
11	1	22252-000320	CIRCLIP 32	2								
12	1	22252-000420	CIRCLIP 42	1								
13	1	24104-062014	BALL BEARING 6201UU	2								
14	1	26116-120502	BOLT M12X 50	1								
15	1	26716-080002	NUT M 8	2								
16	1	26716-120002	NUT 12	2								

Fig.63. MOWER PULLEY & BELT(REU)

63. MOWER PULLEY & BELT(REU)



OCNP3-G65800 63. MOWER PULLEY & BELT(REU)

(A)=LE20

(B)=

(C)=

(D)=

(E)=

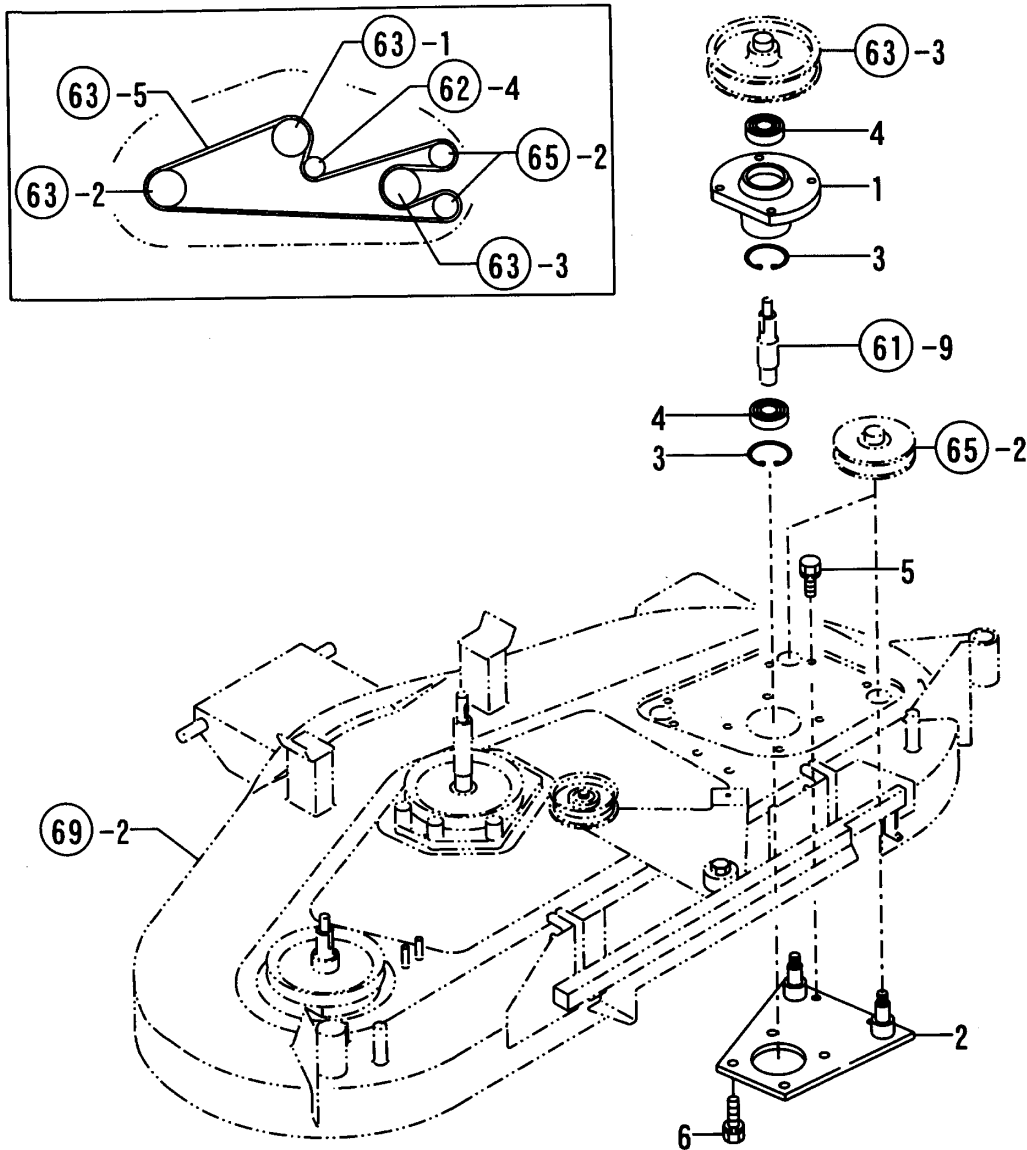
(F)=

REF.	LEV.	PARTS NO.	DESCRIPTION	QTY						I	R
				(A)	(B)	(C)	(D)	(E)	(F)		
1	1	1A6150-63010	V-PULLEY 146B1	1							
2	1	1A6150-63160	V-PULLEY 146B2	1							
3	1	1A6150-63720	V-PULLEY 132,REVERSE	1							
4	1	22550-070200	KEY 7X20	3							
5	1	25123-012201	V-BELT SPB 122H	1							

Remarks
 * LE20REU SPEC.
 FOR LE20MCEU SPEC., REFER TO ITEM
 NO.60.

Fig.64. BLADE HOLDER(REU)

64. BLADE HOLDER (REU)



Remarks
 * LE20REU SPEC.
 FOR LE20MCEU SPEC., REFER TO ITEM
 NO.61.

OCNP3-G65800 64. BLADE HOLDER(REU)

(A)=LE20

(B)=

(C)=

(D)=

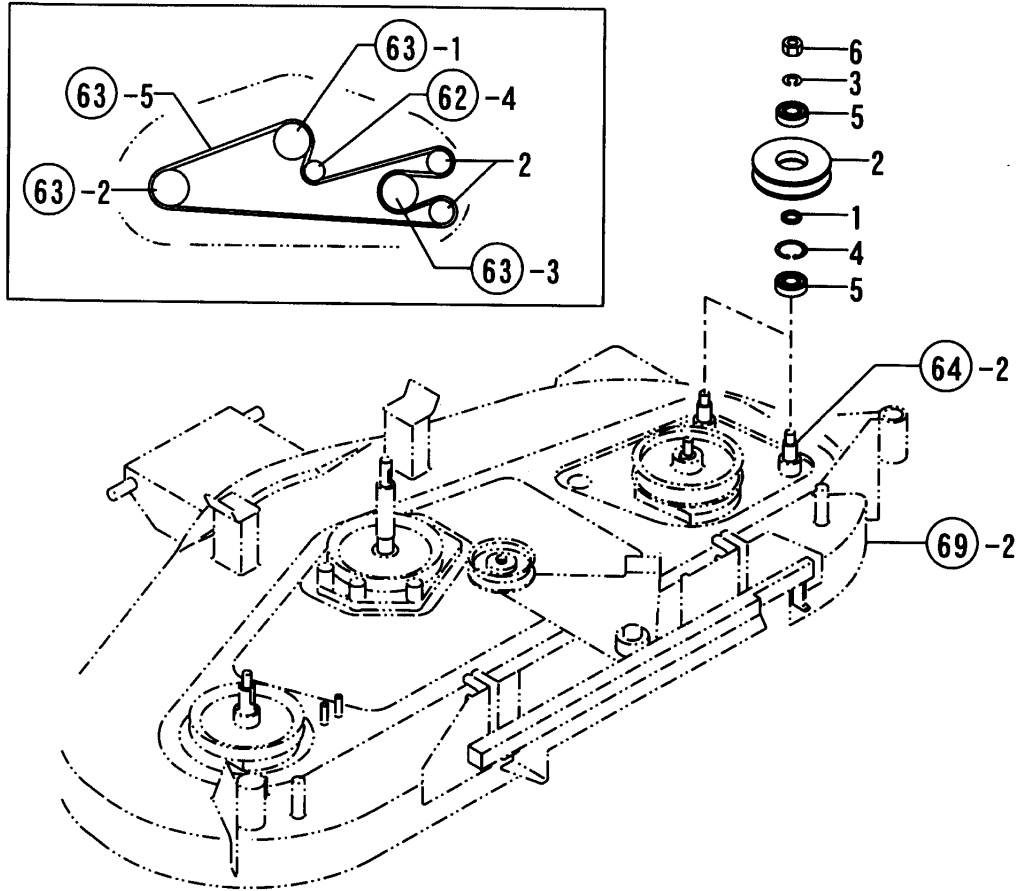
(E)=

(F)=

REF.	LEV.	PARTS NO.	DESCRIPTION	Q'TY						I	R
				(A)	(B)	(C)	(D)	(E)	(F)		
1	1	1A6150-63250	HOLDER,SIDE PULLEY	1							
2	1	1A6150-63600	SUPPORT C,HOLDER	1							
3	1	22252-000471	CIRCLIP 47	2							
4	1	24104-062044	BALL BEARING	2							
5	1	26013-100162	BOLT M10X 16	2							
6	1	26013-100302	BOLT M10X 30	4							

Fig.65. TEN SION(REU)

65. TEN SION(REU)



OCNP3-G65800 65. TEN SION(REU)

(A)=LE20

(B)=

(C)=

(D)=

(E)=

(F)=

REF.	LEV.	PARTS NO.	DESCRIPTION	QTY						I	R
				(A)	(B)	(C)	(D)	(E)	(F)		
1	1	1E8361-17140	COLLAR 17.1X25X2.5	2							
2	1	1A6150-63710	V-PULLER	2							
3	1	22217-120000	SPRING WASHER 12	2							
4	1	22252-000401	CIRCLIP 40	2							
5	1	24104-062034	BALL BEARING	4							
6	1	26716-120002	NUT 12	2							

Remarks
 * LE20REU SPEC.
 FOR LE20MCEU SPEC., REFER TO ITEM
 NO.62.

Fig.66. BLADE

(A)=LE20

(B)=

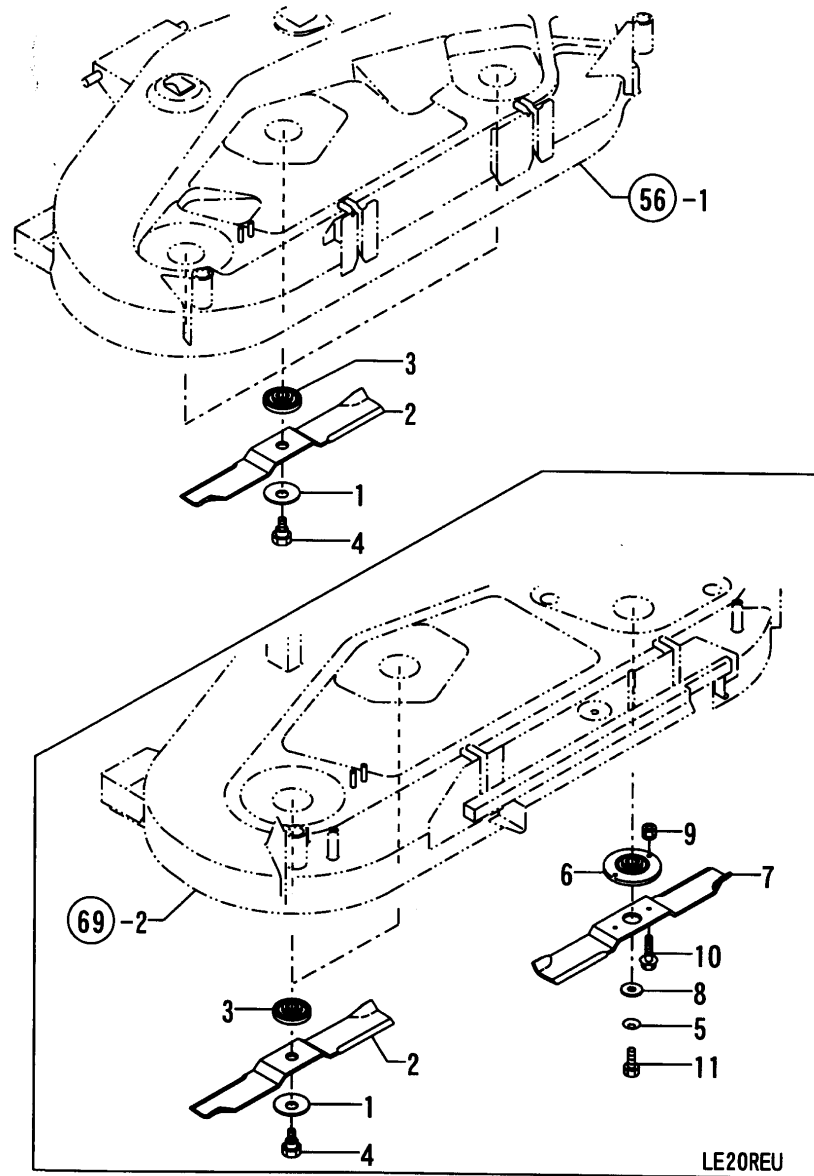
(C)=

(D)=

(E)=

(F)=

66. BLADE



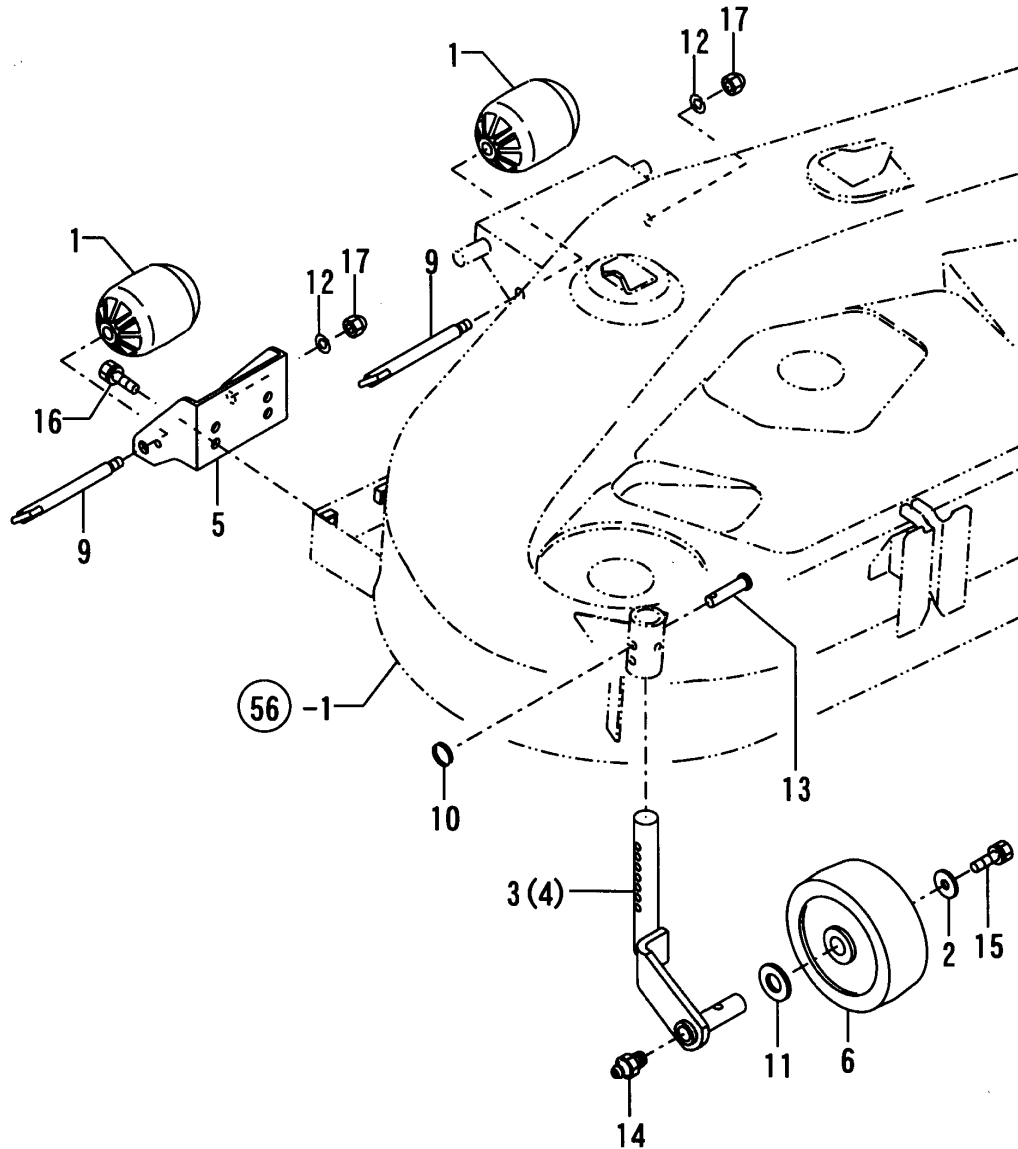
REF.	LEV.	PARTS NO.	DESCRIPTION	QTY						I	R
				(A)	(B)	(C)	(D)	(E)	(F)		
1	1	197108-14120	SPRING, CONICAL	3							1
2	1	1A6150-64111	BLADE	3							1
3	1	1A6150-64200	BRACKET, BLADE	3							1
4	1	1A6150-64211	BOLT M12, SHOULDER	3							1
5	1	194151-47760	WASHER 12	1							2
6	1	1A6150-64250	BRACKET, BLADE R	1							2
7	1	1A6150-64300	BLADE R	1							2
8	1	1E6910-73220	WASHER 12X33X6	1							2
9	1	26051-060002	NUT M 6	2							2
10	1	26106-060252	BOLT M 6X 25 PLATED	2							2
11	1	26296-120352	BOLT M12X 35 PLATED	1							2

Remarks

- (1) REGARDING LE20 REU SPEC., Q'TY. IS 2 FOR 3.
- (2) LE20REU SPEC.

Fig.67. GAUGE WHEEL

67. GAUGE WHEEL



Remarks
 * LE20MCEU SPEC.
 FOR LE20REU SPEC., REFER TO ITEM
 NO.68.

OCNP3-G65800 67. GAUGE WHEEL

(A)=LE20

(B)=

(C)=

(D)=

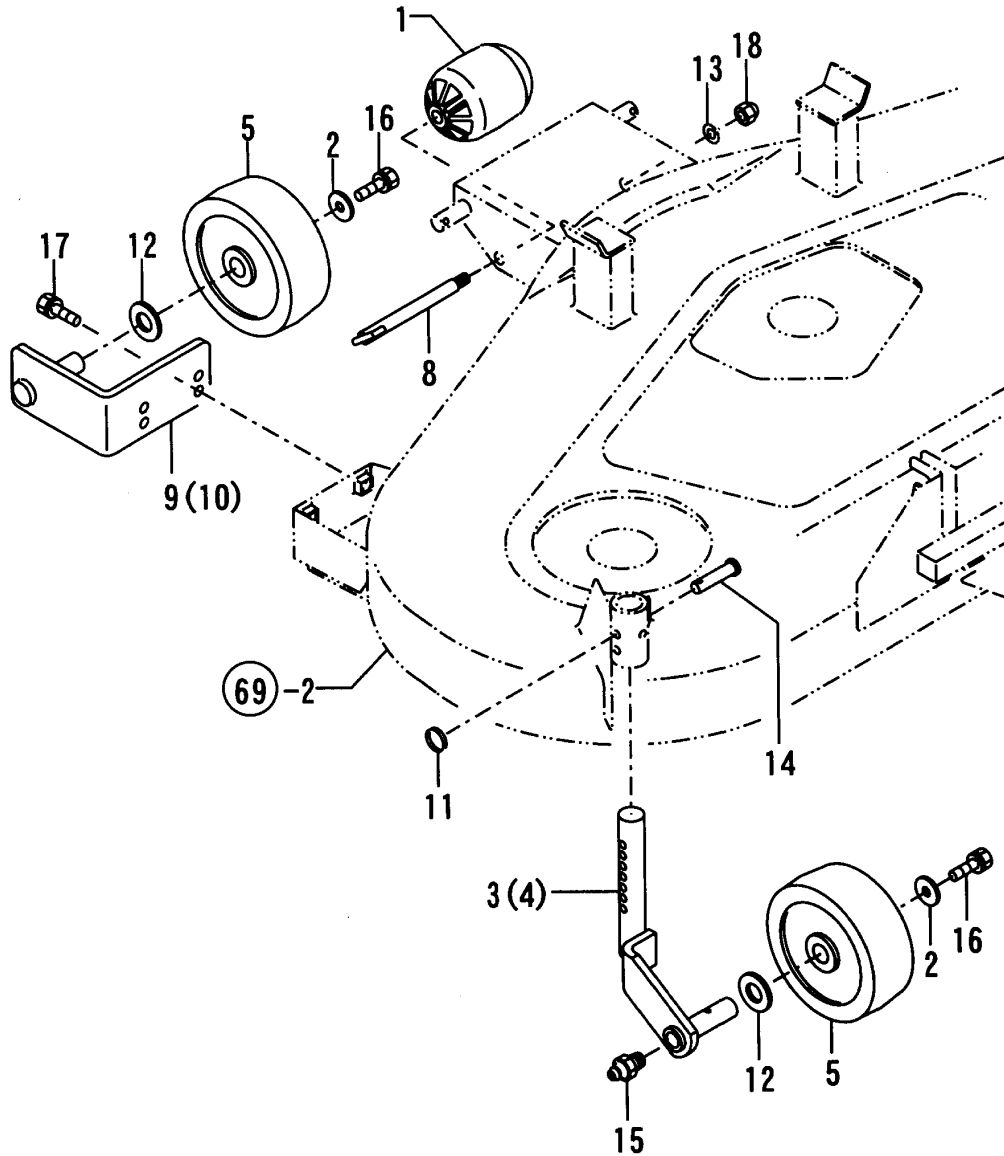
(E)=

(F)=

REF.	LEV.	PARTS NO.	DESCRIPTION	QTY						I	R
				(A)	(B)	(C)	(D)	(E)	(F)		
1	1	1W6521-10080	ROLLER	4							
2	1	1E4070-46290	WASHER 9X30X3.2	2							
3	1	1W6522-50630	ARM L,CASTER	1							
4	1	1W6522-50640	ARM R,CASTER	1							
5	1	1W6522-60530	BRACKET	2							
6	1	1A6150-66010	WHEEL ASSY.,GAUGE	2							
9	1	1A6150-66100	SHAFT	4							
10	1	1E4010-76220	LOCK SPRING	2							
11	1	22137-200000	WASHER 20,POLISHED	2							
12	1	22217-100000	SPRING WASHER 10	4							
13	1	22487-080400	PIN 8X 40	2							
14	1	24761-010000	NIPPLE M6F, GREASE	2							
15	1	26013-080202	BOLT W/WASHER M8X20	2							
16	1	26013-100202	BOLT W/WASHER M10X20	4							
17	1	26716-100002	NUT 10	4							

Fig.68. GAUGE WHEEL(REAR)

68. GAUGE WHEEL (REAR)



Remarks
 * LE20REU SPEC.
 FOR LE20MCEU SPEC., REFER TO ITEM
 NO.67.

(A)=LE20

(B)=

(C)=

(D)=

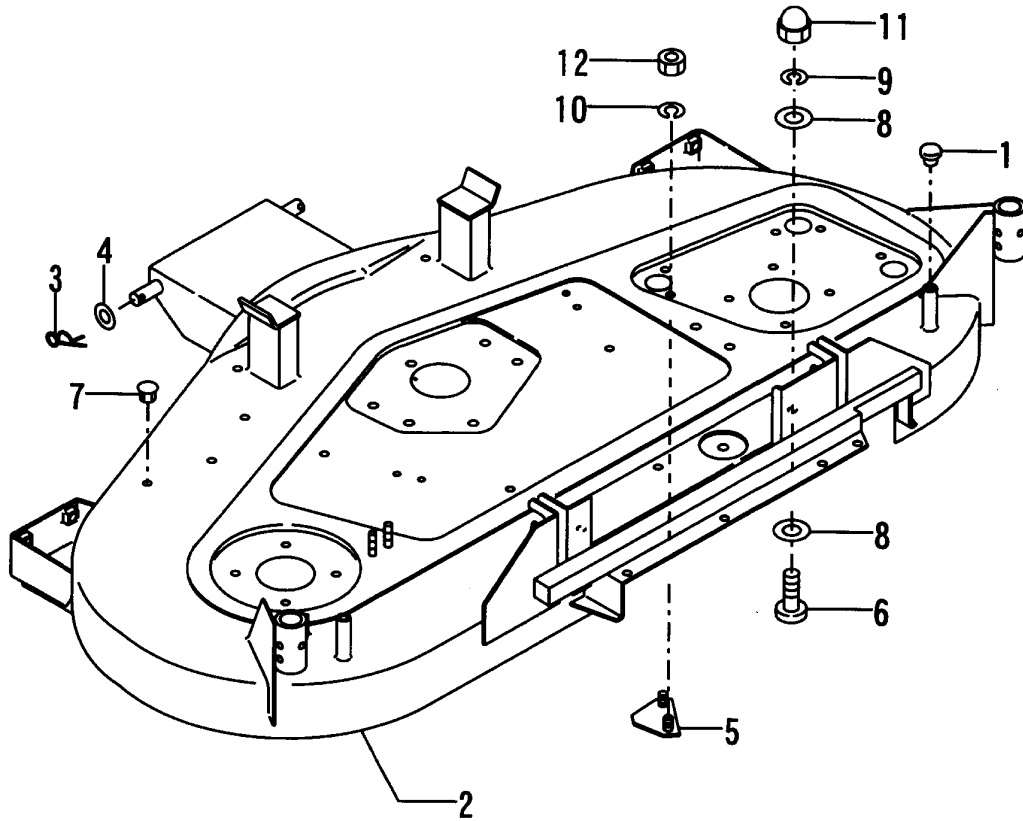
(E)=

(F)=

REF.	LEV.	PARTS NO.	DESCRIPTION	QTY						I	R
				(A)	(B)	(C)	(D)	(E)	(F)		
1	1	1W6521-10080	ROLLER	1							
2	1	1E4070-46290	WASHER 9X30X3.2	4							
3	1	1W6522-50630	ARM L,CASTER	1							
4	1	1W6522-50640	ARM R,CASTER	1							
5	1	1A6150-66010	WHEEL ASSY.,GAUGE	4							
8	1	1A6150-66100	SHAFT	1							
9	1	1A6150-66200	ARM F L,CASTER	1							
10	1	1A6150-66220	ARM F R,CASTER	1							
11	1	1E4010-76220	LOCK SPRING	2							
12	1	22137-200000	WASHER 20,POLISHED	4							
13	1	22217-100000	SPRING WASHER 10	1							
14	1	22487-080400	PIN 8X 40	2							
15	1	24761-010000	NIPPLE M6F, GREASE	4							
16	1	26013-080202	BOLT W/WASHER M8X20	4							
17	1	26013-100252	BOLT W/WASHER M10X25	4							
18	1	26716-100002	NUT 10	1							

Fig.69. MOWER DECK(REU)

69. MOWER DECK(REU)



OCNP3-G65800 69. MOWER DECK(REU)

(A)=LE20

(B)=

(C)=

(D)=

(E)=

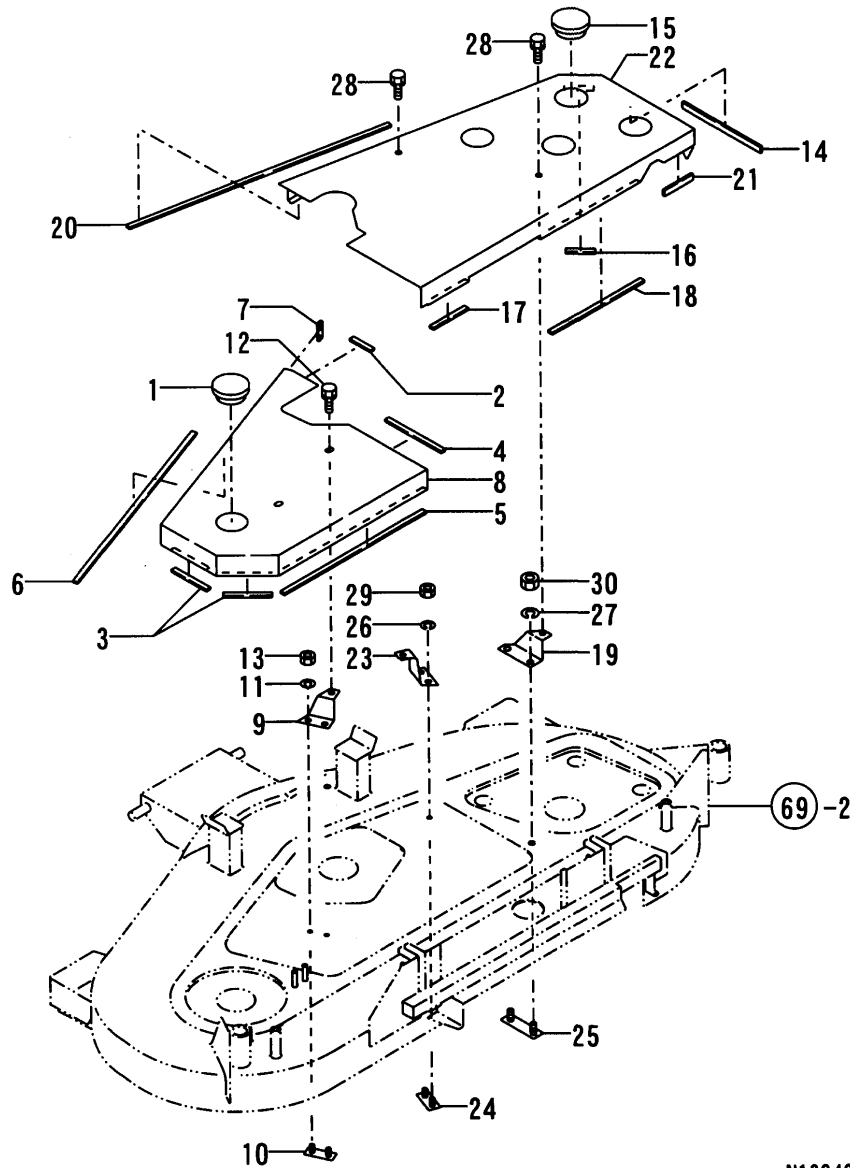
(F)=

REF.	LEV.	PARTS NO.	DESCRIPTION	QTY						I	R
				(A)	(B)	(C)	(D)	(E)	(F)		
1	1	1S0070-63100	CAP,P.T.O.RUBBER	2							
2	1	7A6150-69000	DECK ASSY,MOWER PL	1							
3	1	1A6150-73700	SNAP PIN 16	2							
4	1	22137-160000	WASHER 16,POLISHED	2							
5	1	1A6150-69830	PLATE	1							
6	1	172137-69840	SCREW	3							
7	1	1A6150-69890	CAP	9							
8	1	22157-080000	WASHER 8	6							
9	1	22217-080000	SPRING WASHER 8	3							
10	1	22217-100000	SPRING WASHER 10	2							
11	1	26668-080002	CAP NUT M 8	3							
12	1	26716-100002	NUT 10	2							

Remarks
 * LE20REU SPEC.
 FOR LE20MCEU SPEC., REFER TO ITEM
 NO.56.

Fig.70. MOWER COVER(REU)

70. MOWER COVER(REU)



N132424

Remarks
 * LE20REU SPEC.
 FOR LE20MCEU SPEC., REFER TO ITEM
 NO.57.

(A)=LE20

(B)=

(C)=

(D)=

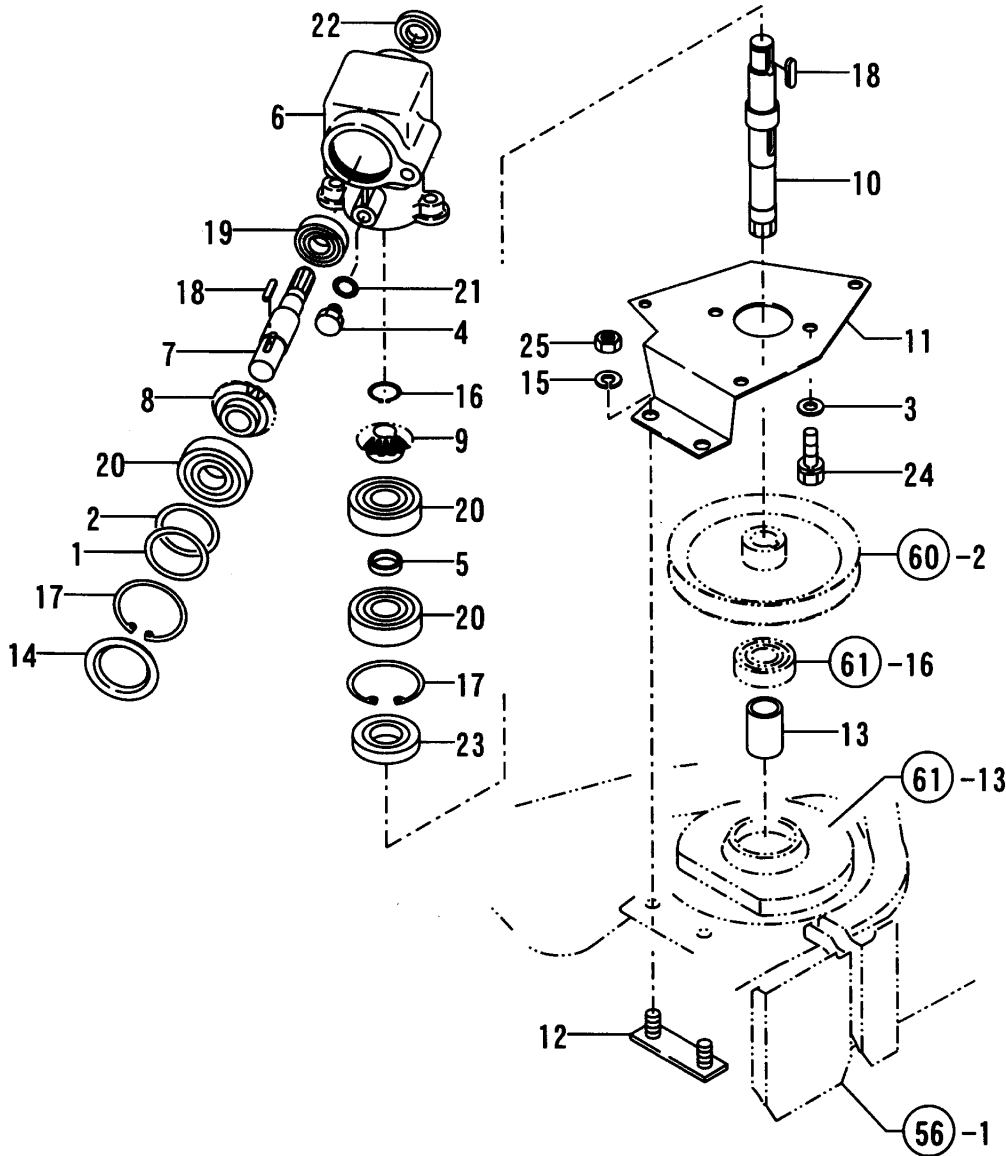
(E)=

(F)=

REF.	LEV.	PARTS NO.	DESCRIPTION	QTY						I	R
				(A)	(B)	(C)	(D)	(E)	(F)		
1	1	1E6470-37420	CAP 60	1							
2	1	1A6150-61830	SEAL 3X10X50	1							
3	1	1A6150-61840	SEAL 3X10X85	2							
4	1	1A6150-61850	SEAL 3X10X135	1							
5	1	1A6150-61870	SEAL 3X10X345	1							
6	1	1A6150-69850	SEAL 3X 10X 490	1							
7	1	1A6150-69860	RUBBER 35,EDGE	1							
8	1	1A6150-69900	COVER L	1							
9	1	1A6150-69930	STAY L,COVER	1							
10	1	1A6150-69970	PLATE 3X 22X 52	1							
11	1	22217-080000	SPRING WASHER 8	2							
12	1	26018-080162	BOLT M 8X 16	2							
13	1	26716-080002	NUT M 8	2							
14	1	1E8270-04090	MOLDINGS 188	1							
15	1	1E6470-37420	CAP 60	4							
16	1	1A6150-61830	SEAL 3X10X50	1							
17	1	1A6150-61840	SEAL 3X10X85	1							
18	1	1A6150-61860	SEAL 3X10X225	1							
19	1	1A6150-61960	STAY R, COVER	1							
20	1	1A6150-69870	SEAL 3X 10X 540	1							
21	1	1A6150-69880	RUBBER 70,EDGE	1							
22	1	1A6150-69910	COVER R	1							
23	1	1A6150-69950	STAY R,COVER	1							
24	1	1A6150-69970	PLATE 3X 22X 52	1							
25	1	1A6150-71350	PLATE 25X81	1							
26	1	22217-080000	SPRING WASHER 8	2							
27	1	22217-100000	SPRING WASHER 10	2							
28	1	26018-080162	BOLT M 8X 16	2							
29	1	26716-080002	NUT M 8	2							
30	1	26716-100002	NUT 10	2							

Fig.71. THROWER DRIVE

71. THROWER DRIVE



(A)=LE20

(B)=

(C)=

(D)=

(E)=

(F)=

REF.	LEV.	PARTS NO.	DESCRIPTION	QTY						I	R
				(A)	(B)	(C)	(D)	(E)	(F)		
1	1	198511-25580	SHIM 41X51X0.1	1							
2	1	198511-25590	SHIM 41X51X0.3	1							
3	1	172110-36010	COLLAR	2							
4	1	1A1040-48070	PLUG 10	2							
5	1	1E7070-57060	COLLAR 20X25X6	1							
6	1	1A6150-71010	CASE,THROWER BEVEL	1							
7	1	1A6150-71151	SHAFT, OUTPUT	1							
8	1	1A6150-71160	GEAR 17T,BEVEL	1							
9	1	1A6150-71170	GEAR 15T,BEVEL	1							
10	1	1A6150-71200	SHAFT	1							
11	1	1A6150-71251	STAY CMP.,THROWR.DR.	1							
12	1	1A6150-71350	PLATE 25X81	1							
13	1	1A6150-71370	COLLAR 20X27X38.7	1							
14	1	1A1700-92310	COVER W/FLNG.52,BLND	1							
15	1	22217-100000	SPRING WASHER 10	2							
16	1	22242-000170	CIRCLIP 17	1							
17	1	22252-000521	CIRCLIP 52	2							
18	1	22550-050200	KEY 5X20	2							
19	1	24101-062034	BALL BEARING	1							
20	1	24101-063044	BALL BEARING	3							
21	1	24311-000125	O-RING 1A P-12.5	2							
22	1	24421-173507	SEAL TC17 35 07, OIL	1							
23	1	24421-255210	OIL SEAL TC255210	1							
24	1	26013-100252	BOLT W/WASHER M10X25	2							
25	1	26716-100002	NUT 10	2							

Remarks

* LE20MCEU SPEC.

* 7A6150-71501 THROWER DRIVE KIT

N:Old $\xrightarrow{\text{Yes}}$ New, Q:Old $\xrightarrow{\text{No}}$ New, R:Old $\xrightarrow{\text{Yes}}$ New, S:Old $\xrightarrow{\text{No}}$ New, W:Add, Z:Discontinued, F:Interchangeable by set, K:Q'ty Change

Fig.72. THROWER JOINT

0CNP3-G65800 72. THROWER JOINT

72. THROWER JOINT

(A)=LE20

(B)=

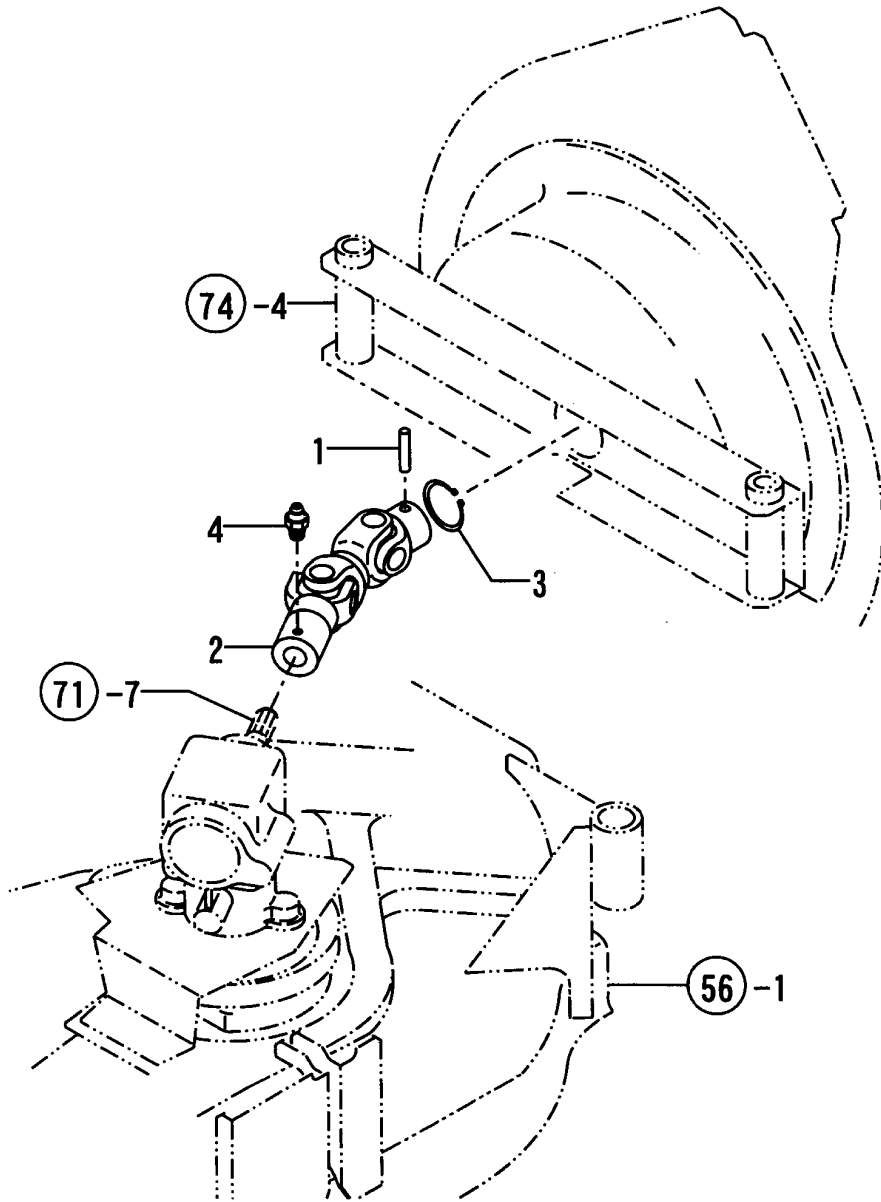
(C)=

(D)=

(E)=

(F)=

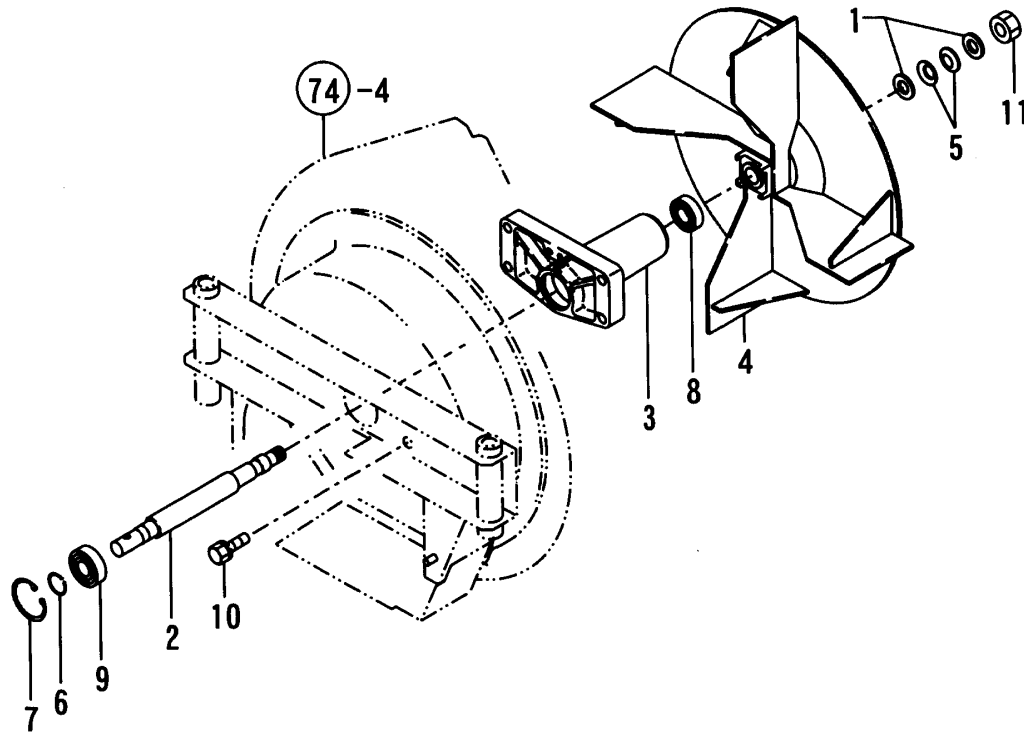
REF.	LEV.	PARTS NO.	DESCRIPTION	Q'TY						I	R
				(A)	(B)	(C)	(D)	(E)	(F)		
1	1	1C6560-42290	PIN,STRGHT.FIRM SET	1							
2	1	1A6150-72101	JOINT 173	1							
3	1	22242-000320	CIRCLIP 32	1							
4	1	24761-010000	NIPPLE M6F, GREASE	1							



Remarks
 * LE20MCEU SPEC.

Fig.73. THROWER FAN

73. THROWER FAN



(A)=LE20

(B)=

(C)=

(D)=

(E)=

(F)=

REF.	LEV.	PARTS NO.	DESCRIPTION	Q'TY						I	R
				(A)	(B)	(C)	(D)	(E)	(F)		
1	1	1E8060-64480	WASHER 14X26X2.5	2							
2	1	1A6150-72010	SHAFT, THROWER FAN	1							
3	1	1A6150-72050	CASE, THROWER SHAFT	1							
4	1	1A6150-72200	FAN 360 COMPL.	1							
5	1	1A6150-72300	SPRING H14,BLLVLL.	2							
6	1	22242-000170	CIRCLIP 17	1							
7	1	22252-000401	CIRCLIP 40	1							
8	1	24104-060034	BALL BEARING	1							
9	1	24104-062034	BALL BEARING	1							
10	1	26013-100302	BOLT M10X 30	4							
11	1	26736-140002	NUT M14	1							

Remarks

* LE20MCEU SPEC.

N:Old $\xrightarrow{\text{Yes}}$ New, Q:Old $\xrightarrow{\text{No}}$ New, R:Old $\xrightarrow{\text{Yes}}$ New, S:Old $\xrightarrow{\text{No}}$ New, W:Add, Z:Discontinued, F:Interchangeable by set, K:Q'ty Change

Fig.74. THROWER CASE & JOINT COVER

(A)=LE20

(B)=

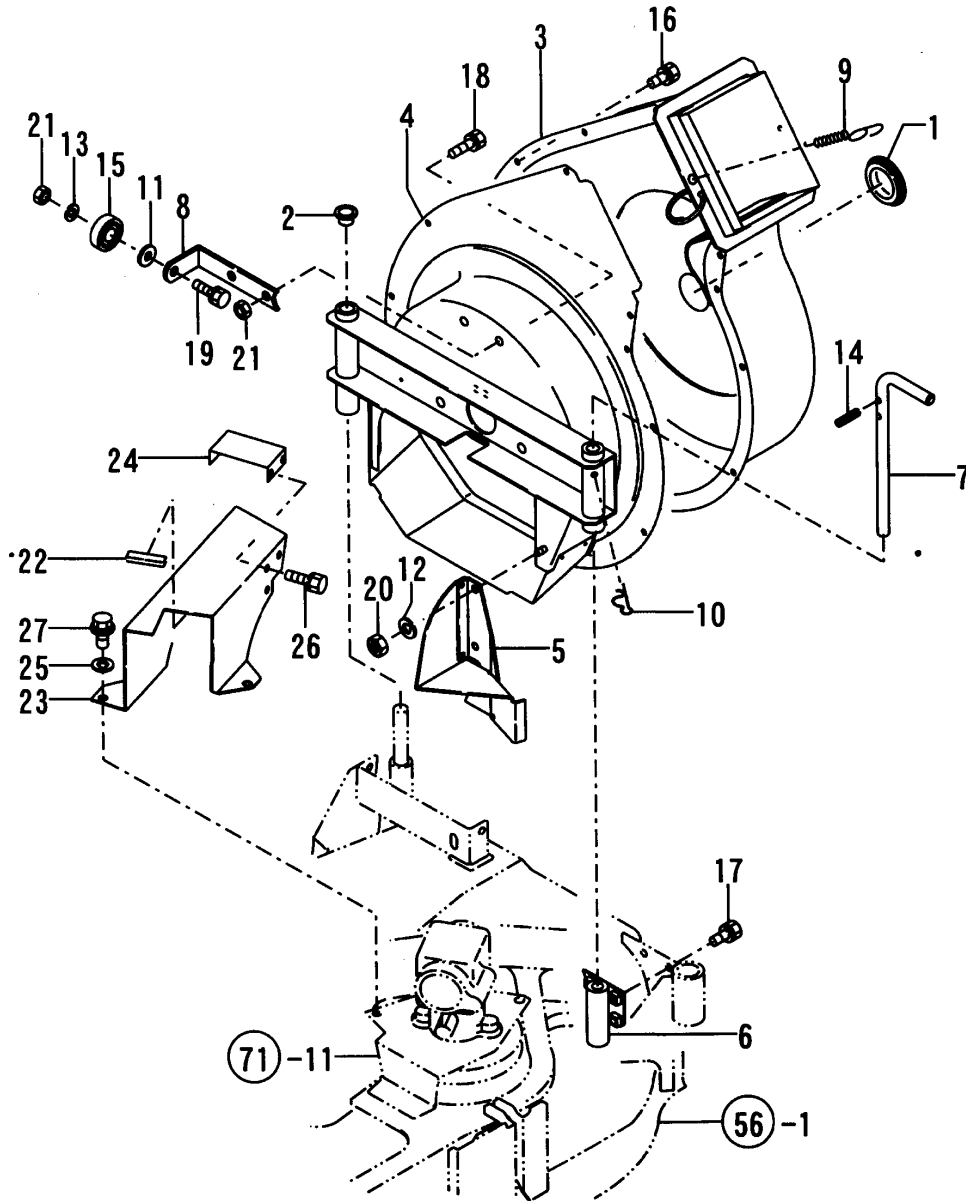
(C)=

(D)=

(E)=

(F)=

74. THROWER CASE & JOINT COVER

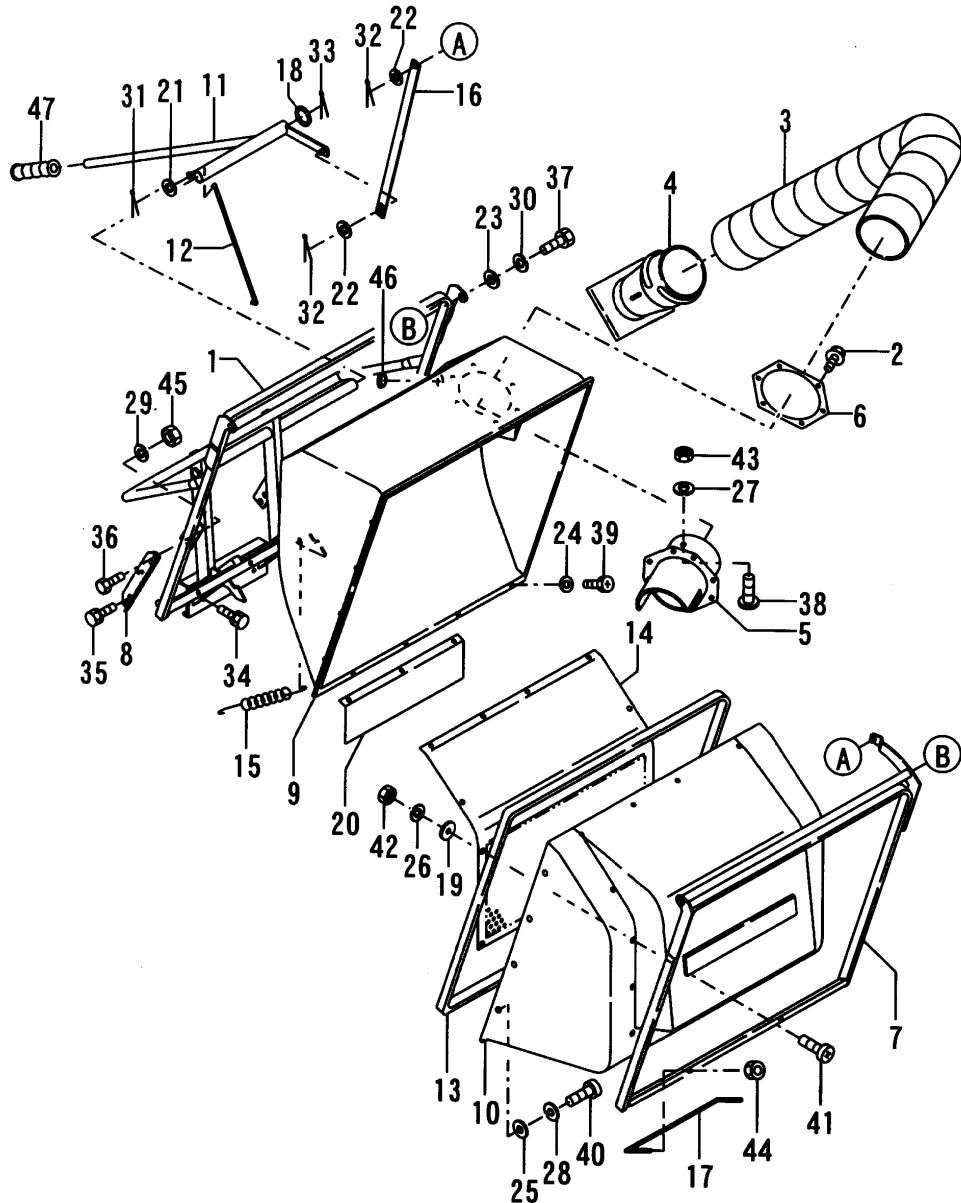


REF.	LEV.	PARTS NO.	DESCRIPTION	QTY						I	R
				(A)	(B)	(C)	(D)	(E)	(F)		
1	1	195160-13870	CAP, ROTARY CASE	1							
2	1	1A1380-48150	PLUG 15,RUBBER	1							
3	1	7A6150-73010	CASING COMP.,THROWER	1							
4	1	1A6150-73101	CASE COMPL.,THROWER	1							
5	1	1A6150-73251	PLATE COMP.,INLET	1							
6	1	1A6150-73300	PIPE,THROWER SUPPORT	1							
7	1	1A6150-73352	LEVER L	1							
8	1	1A6150-73551	PLATE 25X123	1							
9	1	1A6150-73650	SPRING,HOOK	2							
10	1	194080-75790	PIN 28, SNAP	1							
11	1	22117-100000	WASHER 10	1							
12	1	22217-080000	SPRING WASHER 8	2							
13	1	22217-100000	SPRING WASHER 10	1							
14	1	22351-050032	SPRING PIN 5X32	1							
15	1	24104-062004	BALL BEARING	1							
16	1	26013-060122	BOLT M 6X 12	11							
17	1	26013-080162	BOLT W/WASHER M8X16	3							
18	1	26013-100202	BOLT W/WASHER M10X20	2							
19	1	26013-100302	BOLT M10X 30	1							
20	1	26716-080002	NUT M 8	2							
21	1	26716-100002	NUT 10	3							
22	1	1E6680-26621	MOLDINGS A,CHAIN CVR	1							
23	1	7A6150-73410	COVER, JOINT EU	1							
24	1	1A6150-73460	COVER, JOINT	1							
25	1	22157-080000	WASHER 8	2							
26	1	26013-060122	BOLT M 6X 12	3							
27	1	26013-080162	BOLT W/WASHER M8X16	2							

Remarks
* LE20MCEU SPEC.

Fig.75. CATCHER

75. CATCHER



(A)=LE20

(B)=

(C)=

(D)=

(E)=

(F)=

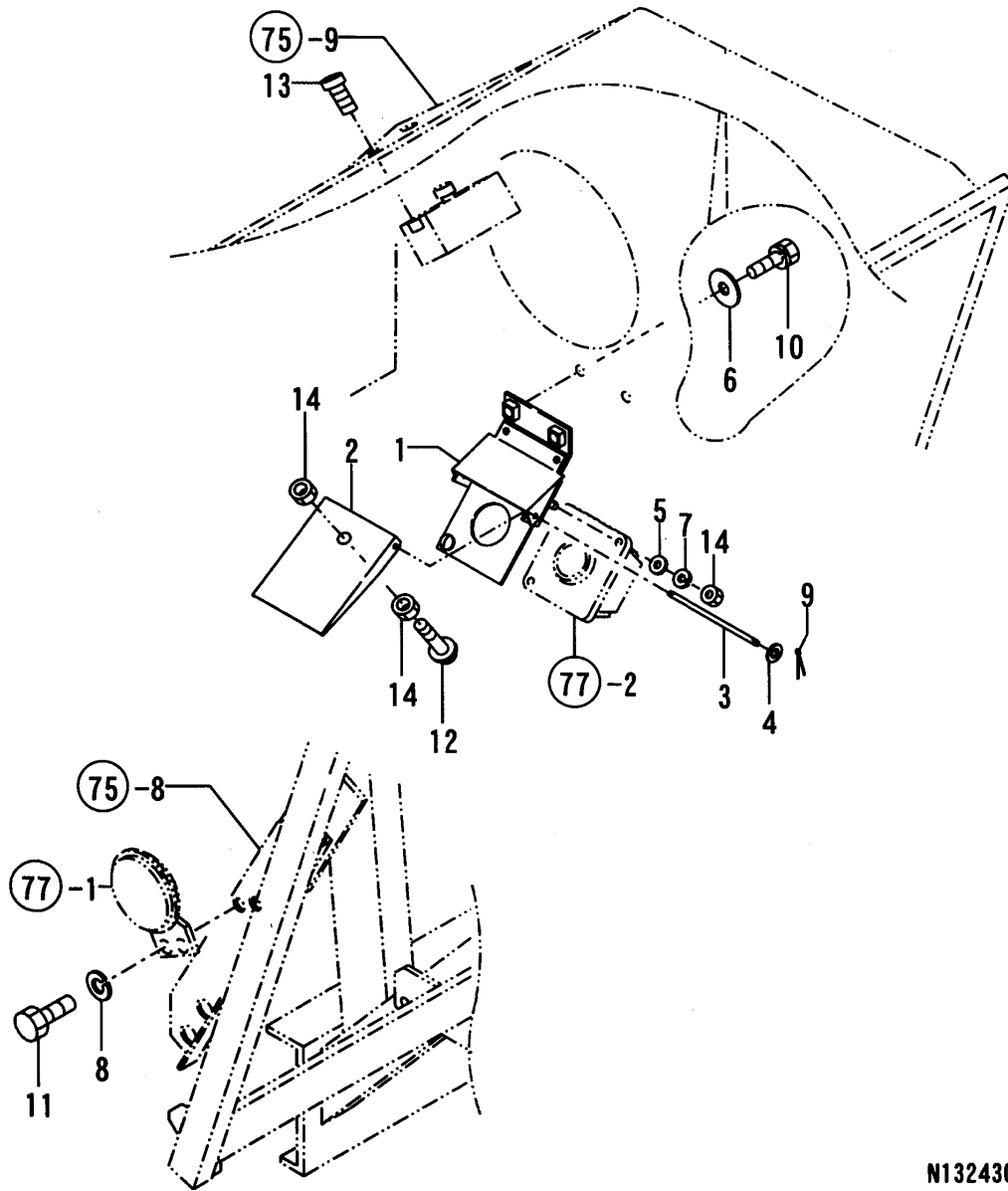
REF.	LEV.	PARTS NO.	DESCRIPTION	Q'TY						I	R
				(A)	(B)	(C)	(D)	(E)	(F)		
1	1	1A6150-76102	FRAME COMP.,BOX	1							
2	1	1A6150-76230	BOLT 8X 16	6							
3	1	1A6150-76302	SPOUT	1							
4	1	1A6150-76321	SHUTE	1							
5	1	1A6150-76350	PIPE,THROWER INLET	1							
6	1	1A6150-76370	FRANGE	1							
7	1	1A6150-76400	FRAME COMP.,COVER	1							
8	1	1A6150-76501	STAY,BOX FRAME	2							
9	1	1A6150-76630	BOX,FRONT	1							
10	1	7A6150-76640	BOX,REAR PL	1							
11	1	1A6150-76653	LEVER COMP.,BOX	1							
12	1	1A6150-76700	ROD,NOTCH	1							
13	1	1A6150-76710	SEAL 3.2	1							
14	1	1A6150-76730	METAL,BOX	1							
15	1	1A6150-76780	SPRING,HOOK RETURN	1							
16	1	1A6150-76812	ROD	1							
17	1	1A6150-76820	HOOK	1							
18	1	1A6150-76830	WASHER 35X45X3	1							
19	1	1A6150-76840	WASHER 7X26X3	11							
20	1	1A6150-76850	PLATE	1							
21	1	22137-080000	WASHER 8, POLISHED	2							
22	1	22137-120000	WASHER 12,POLISHED	2							
23	1	22137-140000	WASHER 14,POLISHED	2							
24	1	22157-060000	WASHER 6	16							
25	1	22157-060000	WASHER 6	13							
26	1	22217-060000	SPRING WASHER 6	11							
27	1	22217-060000	SPRING WASHER 6	2							
28	1	22217-060000	SPRING WASHER 6	16							
29	1	22217-100000	SPRING WASHER 10	4							
30	1	22217-140000	SPRING WASHER 14	2							
31	1	22417-200160	COTTER PIN 2.0X16	2							
32	1	22417-320250	COTTER PIN 3.2X25	2							
33	1	22417-500400	COTTER PIN 5.0X40	1							
34	1	26013-100252	BOLT W/WASHER M10X25	4							
35	1	26013-100252	BOLT W/WASHER M10X25	4							
36	1	26116-100252	BOLT M10X 25 PLATED	4							
37	1	26116-140252	BOLT M14X 25 PLATED	2							
38	1	26587-060122	SCREW M 6X 12	2							
39	1	26587-060162	SCREW M 6X 16	16							
40	1	26587-060162	SCREW M 6X 16	16							
41	1	26587-060162	SCREW M 6X 16	11							
42	1	26716-060002	NUT 6	11							
43	1	26716-060002	NUT 6	2							
44	1	26716-080002	NUT M 8	4							
45	1	26716-100002	NUT 10	4							
46	1	1A6150-76740	GROMMET 31	1							
47	1	1A6150-76940	GRIP	1							

Remarks
* LE20MCEU SPEC.

N:Old $\xrightarrow{\text{Yes}}$ New, Q:Old $\xrightarrow{\text{No}}$ New, R:Old $\xrightarrow{\text{Yes}}$ New, S:Old $\xrightarrow{\text{No}}$ New, W:Add, Z:Discontinued, F:Interchangeable by set, K:Q'ty Change

Fig.76. SENSOR STAY(F)

76. SENSOR STAY(F)



N132430

(A)=LE20

(B)=

(C)=

(D)=

(E)=

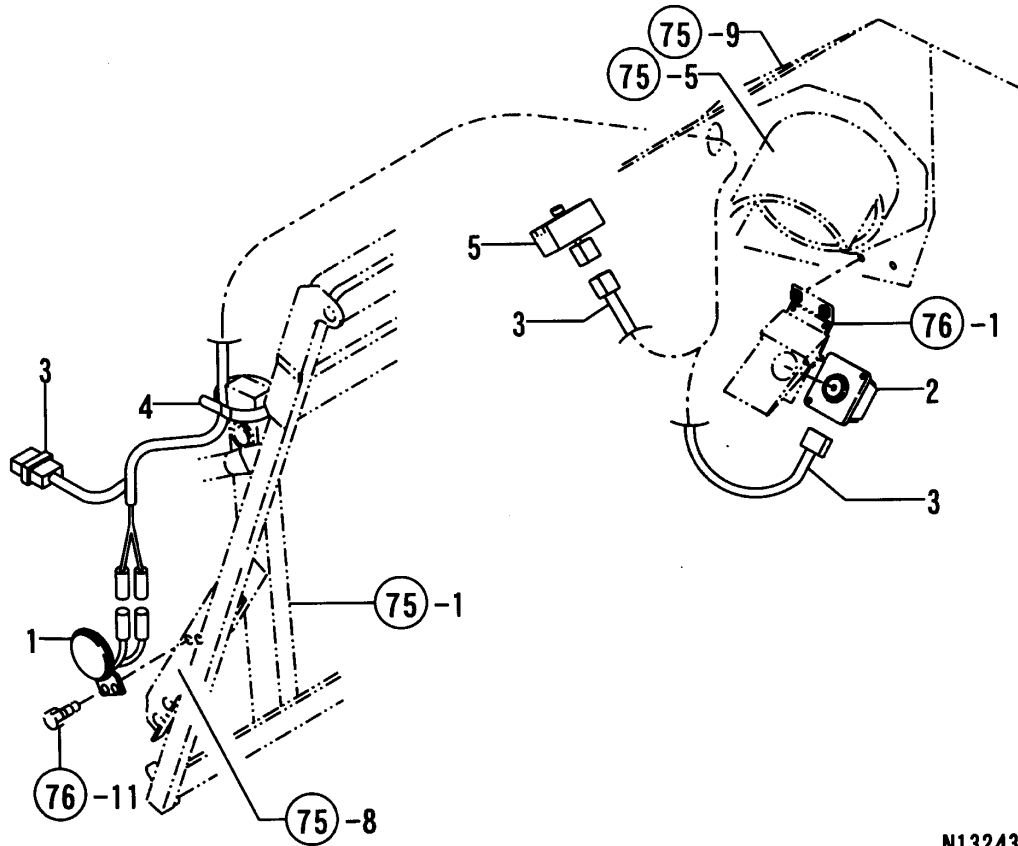
(F)=

REF.	LEV.	PARTS NO.	DESCRIPTION	QTY						I	R	
				(A)	(B)	(C)	(D)	(E)	(F)			
1	1	1A6150-76860	STAY COMP.,SENSOR	1								
2	1	1A6150-76910	COVER	1								
3	1	1A6150-76930	SHAFT 6X96	1								
4	1	22117-060000	WASHER 6	2								
5	1	22137-060000	WASHER 6, POLISHED	2								
6	1	22157-080000	WASHER 8	2								
7	1	22217-060000	SPRING WASHER 6	2								
8	1	22217-060000	SPRING WASHER 6	2								
9	1	22417-200100	COTTER PIN 2.0X10	2								
10	1	26013-080202	BOLT W/WASHER M8X20	2								
11	1	26116-060162	BOLT 6X16	2								
12	1	26557-060252	SCREW M 6X 25	1								
13	1	26587-060162	SCREW M 6X 16	2								
14	1	26716-060002	NUT 6	4								

Remarks
* LE20MCEU SPEC.

Fig.77. CATCHER ELECTRICAL PARTS

77. CATCHER ELECTRICAL PARTS



N132431

OCNP3-G65800 77. CATCHER ELECTRICAL PARTS

(A)=LE20

(B)=

(C)=

(D)=

(E)=

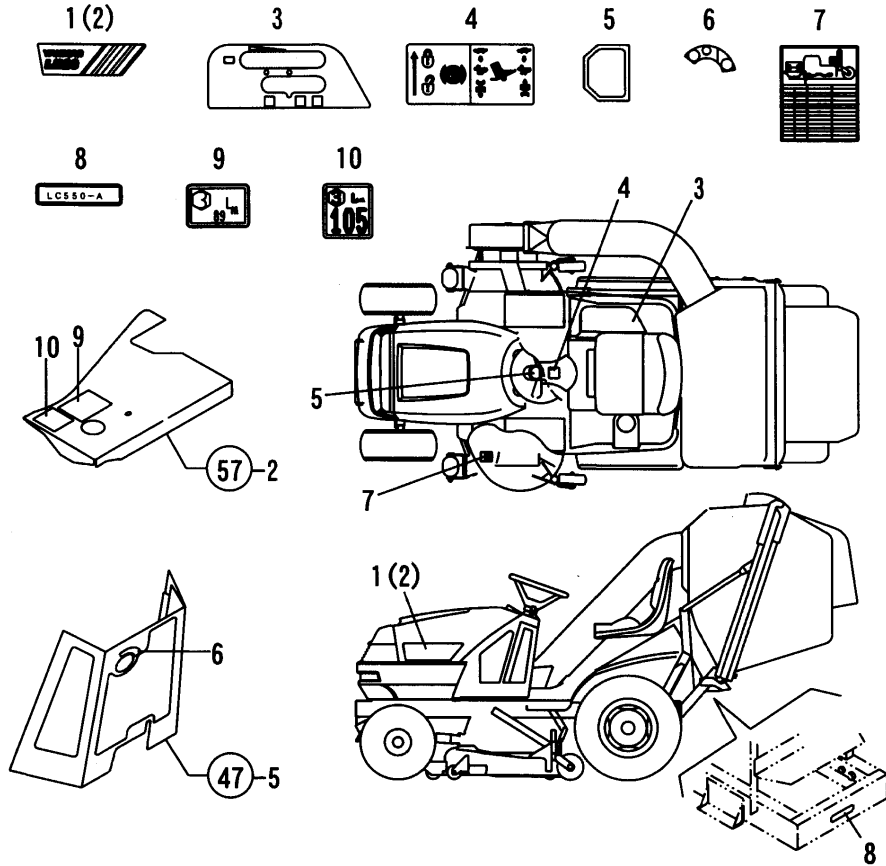
(F)=

REF.	LEV.	PARTS NO.	DESCRIPTION	Q'TY						I	R
				(A)	(B)	(C)	(D)	(E)	(F)		
1	1	194151-57100	HORN	1							
2	1	1A6150-76900	SENSOR ASSY.,GRASS	1							
3	1	1A6150-76920	HARNES,CATCHER	1							
4	1	1A6150-76950	BAND 250	3							
5	1	1E6780-82121	STOP UNIT,HORN	1							

Remarks
* LE20MCEU SPEC.

Fig.78. LABELS

78. LABELS



BASE MACHINE	MOEWR	THROWER
<p>MACHINE LABEL (NOT FOR SALE)</p> <p>56-1</p>	<p>56-1</p> <p>MACHINE LABEL (NOT FOR SALE)</p>	<p>MACHINE LABEL (NOT FOR SALE)</p> <p>74-4</p>

Remarks
 (1)LE20MCEU,LE20REU SPEC.
 (2)LE20MCEU SPEC.

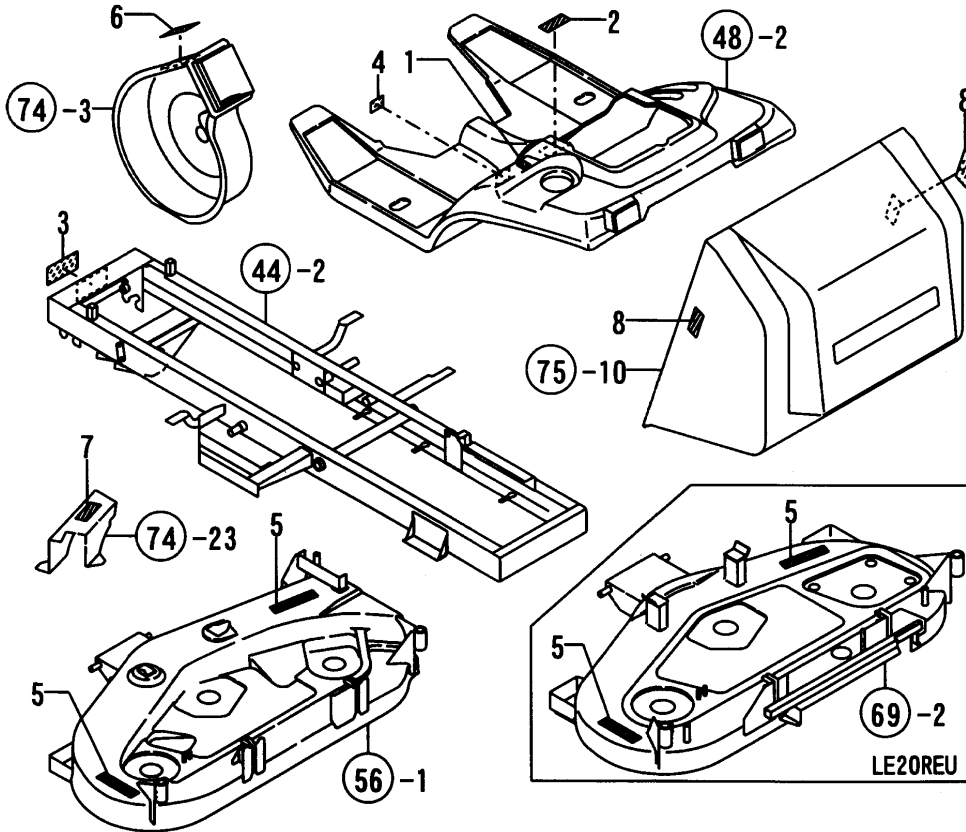
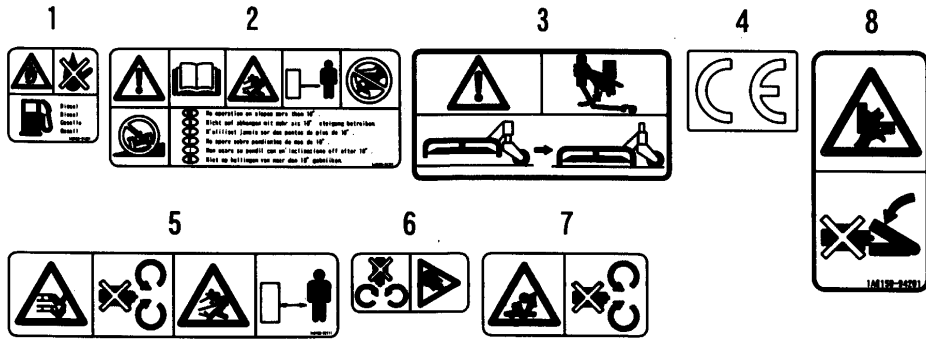
(A)=LE20
 (B)=
 (C)=

(D)=
 (E)=
 (F)=

REF.	LEV.	PARTS NO.	DESCRIPTION	QTY						I	R
				(A)	(B)	(C)	(D)	(E)	(F)		
1	1	1A6157-91100	LABEL 20-L,SIDE	1							
2	1	1A6157-91130	LABEL 20-R,SIDE	1							
3	1	1A6150-91200	LABEL,LEVER	1							
4	1	1A6150-91311	LABEL,PARKG LEVER	1							
5	1	1W4905-70050	PLATE,NAME	1							
6	1	1A6150-91340	LABEL,KEY	1							
7	1	1A6150-92150	LABEL,CUTTING HEIGHT	1							1
8	1	1A6150-94300	LABEL LC550A	1							
9	1	1A6150-92200	LABEL	1							2
10	1	1A6150-92210	LABEL,S 105	1							2

Fig.79. LABELS(PRODUCT LIABILITY)

79. LABELS(PRODUCT LIABILITY)



Remarks
(1)LE20MCEU SPEC.

(A)=LE20

(B)=

(C)=

(D)=

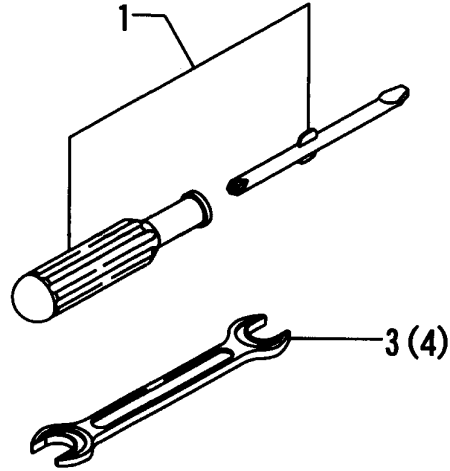
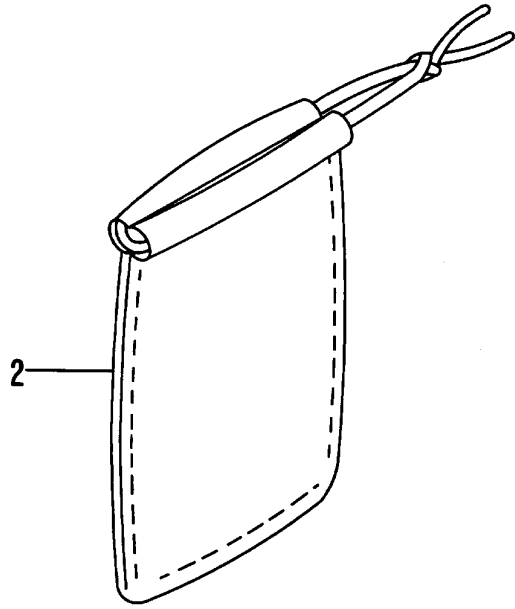
(E)=

(F)=

REF.	LEV.	PARTS NO.	DESCRIPTION	QTY						I	R
				(A)	(B)	(C)	(D)	(E)	(F)		
1	1	1A6150-91251	LABEL,RAKE CAUTION	1							
2	1	1A6150-91321	LABEL,OPERAT.PROCED.	1							
3	1	1A6150-91371	LABEL,ELEVAT.LINK	1							
4	1	1A6150-91400	MARK CE	1							
5	1	1A6150-92111	LABEL,DANGER BLADE	2							1
6	1	1A6150-93101	LABEL,THROWER	1							1
7	1	1A6150-93151	LABEL,COVER	1							1
8	1	1A6150-94201	LABEL,CAUTION	2							1

Fig.80. TOOLS

80. TOOLS



OCNP3-G65800 80. TOOLS

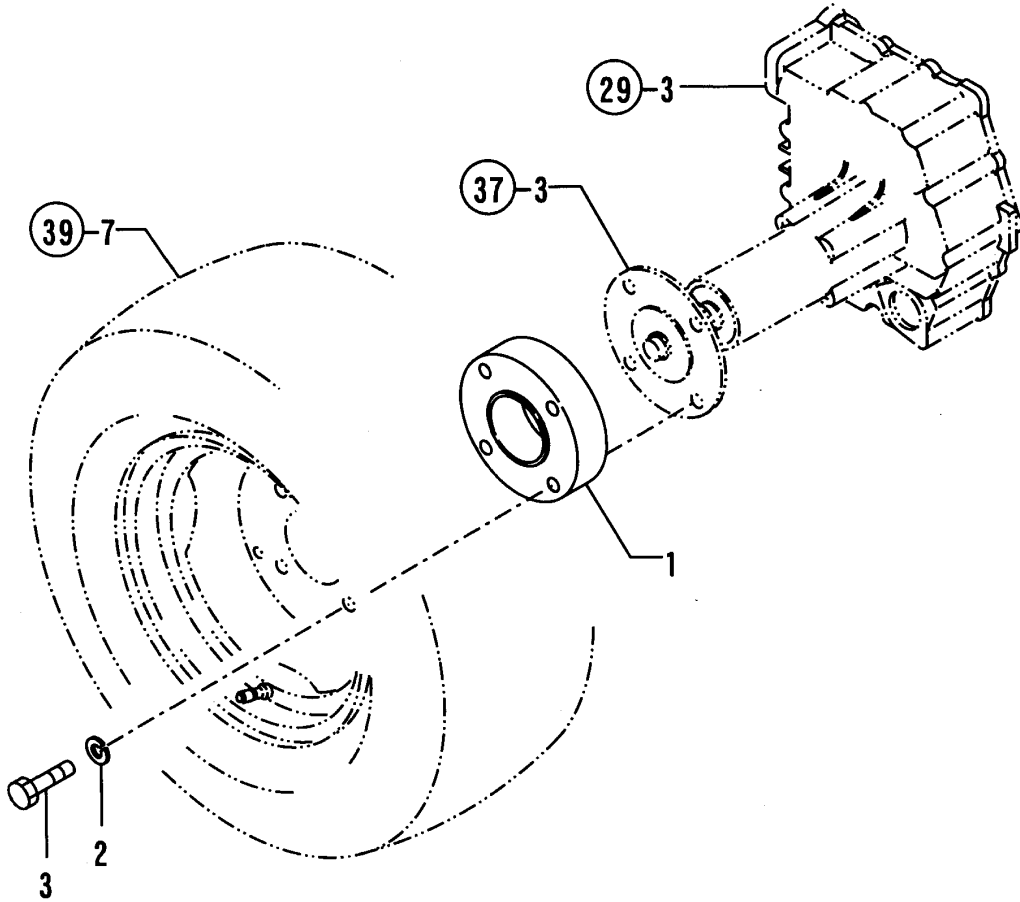
(A)=LE20
(B)=
(C)=

(D)=
(E)=
(F)=

REF.	LEV.	PARTS NO.	DESCRIPTION	Q'TY						I	R
				(A)	(B)	(C)	(D)	(E)	(F)		
1	1	104200-92350	DRIVER, SCREW	1							
2	1	1E6511-98910	BAG U,TOOL	1							
3	1	28110-100120	WRENCH 10X12	1							
4	1	28110-140170	WRENCH 14X17	1							

Fig.81. WHEEL FLANGE(OPION

81. WHEEL FLANGE(OPION



0CNP3-G65800 81. WHEEL FLANGE(OPION

(A)=LE20
(B)=
(C)=

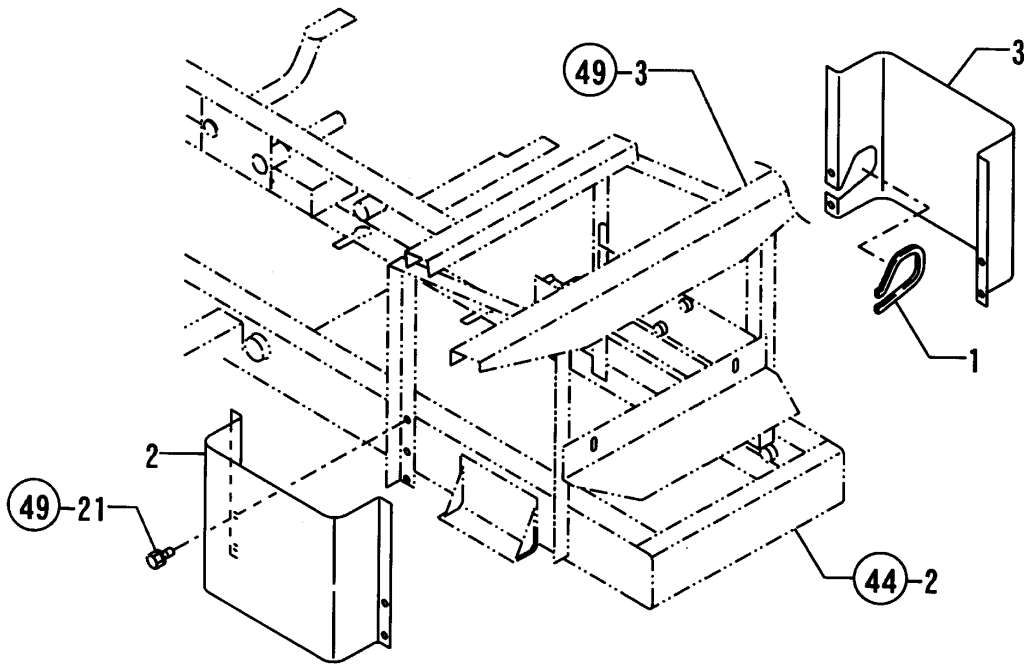
(D)=
(E)=
(F)=

REF.	LEV.	PARTS NO.	DESCRIPTION	QTY						I	R	
				(A)	(B)	(C)	(D)	(E)	(F)			
1	1	1A6157-83100	WHEEL FLANGE	2								
2	1	22217-140000	SPRING WASHER 14	8								
3	1	26156-140702	BOLT 14X70	8								

Remarks
*7A6157-83100 WHEEL FLANGE ASSY.
(OPTION)

Fig.82. CHAIN COVER(OPTION

82. CHAIN COVER(OPTION



0CNP3-G65800 82. CHAIN COVER(OPTION

(A)=LE20
(B)=
(C)=

(D)=
(E)=
(F)=

REF.	LEV.	PARTS NO.	DESCRIPTION	Q'TY						I	R
				(A)	(B)	(C)	(D)	(E)	(F)		
1	1	172165-79800	RUBBER 150	1							
2	1	1A6157-83140	COVER L,CHAIN	1							
3	1	1A6157-83150	COVER R,CHAIN	1							

Remarks
*7A6157-83200 CHAIN COVER ASSY.
(OPTION)

Part Number Index

All parts are stipulated in the order of part numbers.

(Depending on the area in which the part is used.)

This index will display the location of the part according to each part number.

PARTS No. INDEX

PARTS No.	Fig.	Ref.No.
101304-59020	14	23
102100-67080	12	90
102103-55520	14	6
104200-55321	14	2
104200-55330	14	3
104200-55750	14	11
104200-59170	14	26
104200-92350	80	1
104264-59030	14	19
		30
104500-55710	14	10
105010-11230	4	33
		37
105025-59550	13	41
105546-51330	11	25
105582-59150	14	31
110250-55610	14	7
114250-11120	4	17
114250-11180	4	18
114250-53130	13	11
114250-53400	13	13
114371-77110	15	5
114371-77140	15	6
114371-77160	15	7
114371-77170	15	11
114371-77180	15	2
114371-79040	15	8
114371-79050	15	9
114371-79060	15	10
114371-79070	15	17
118400-03060	4	53
119000-77202	16	2
119000-77210	16	7
119000-77220	16	9
119000-77230	16	10
119000-77260	16	15
119000-77711	26	18
119209-35030	9	26
119209-59810	13	25
119209-59820	13	29
119209-59830	13	33
119225-07910	4	2
119225-13101	6	1
119225-14200	7	22
119225-35300	9	16
119225-51100	11	4
119225-51300	11	22
119225-59040	14	22
119225-59560	13	49
119232-61540	12	43

PARTS No.	Fig.	Ref.No.
119244-59020	14	18
119254-42000	10	1
119255-21590	8	12
119255-53100	13	7
119256-42290	10	16
119258-01770	3	6
119258-12500	18	7
119258-12530	18	9
119258-13500	6	7
119258-44500	24	17
119258-44740	10	18
119258-49010	18	22
119258-49020	18	23
119258-55621	14	1
119258-77060	15	20
119259-66900	12	88
119260-01510	2	29
119260-02020	1	6
119260-03020	4	48
119260-03031	4	49
119260-07900	4	1
119260-11100	4	15
119260-11110	4	16
119260-11200	4	25
119260-11240	4	26
119260-11260	4	29
119260-11270	4	30
119260-11280	4	31
119260-11310	4	52
119260-11330	4	46
119260-11340	4	21
119260-11370	4	22
119260-11800	4	9
119260-13110	6	2
119260-13202	6	6
119260-14100	7	7
119260-14200	7	1
119260-14400	7	2
119260-14580	7	3
119260-21200	8	5
119260-21650	8	8
119260-23910	8	30
119260-25100	7	11
119260-32000	9	1
119260-35090	9	25
119260-42020	10	14
119260-59520	13	39
119260-59530	13	40
119263-01490	2	26
119263-01590	2	1

PARTS No.	Fig.	Ref.No.
119263-26001	7	17
119265-01341	1	24
119265-11260	4	41
119265-11700	4	5
119265-21700	8	1
119265-22300	8	24
119265-22500	8	18
119265-22601	8	16
119265-22930	8	34
119265-22950	8	36
119265-23100	8	26
119265-23200	8	31
119266-01200	1	23
119266-02410	1	16
119270-12100	5	1
119270-12110	5	2
119285-66080	12	52
119285-66500	12	63
119288-61200	12	14
119288-61510	12	28
119305-35150	9	15
119462-26020	2	10
119462-59190	14	27
119600-11450	4	23
119600-11460	4	24
119600-52021	14	16
119600-61100	12	4
119600-61200	12	5
119600-61541	12	44
119600-61650	12	46
119600-61900	12	50
119600-66020	12	60
119600-66840	12	78
119620-01620	3	1
119620-01800	2	4
119620-02450	7	4
119620-11350	4	42
119620-21500	8	11
119620-21941	8	10
119620-25912	7	13
119620-42350	10	17
119620-51170	11	7
119620-51180	11	8
119620-51190	11	9
119620-51250	11	10
119620-51340	11	26
119620-51350	11	27
119620-51370	11	28
119620-51450	11	29
119620-51461	11	30

PARTS No.	Fig.	Ref.No.
119620-51510	11	32
119620-51650	11	34
119620-51660	11	35
119620-51670	11	36
119620-51680	11	37
119620-51700	11	38
119620-53000	13	3
119620-53080	13	6
119620-53120	13	10
119620-53140	13	12
119620-59700	13	44
119621-21680	8	9
119621-49800	10	21
119621-66051	12	61
119623-01950	2	35
119629-49070	24	10
119629-49080	24	11
119631-77011	15	1
119631-77651	15	12
119631-77780	15	16
119632-77920	26	25
119642-59540	13	37
119642-59550	13	42
119642-59570	13	43
119643-66900	27	2
119645-77820	4	58
119650-44580	24	18
119650-66510	12	68
119650-77330	16	17
119650-77910	26	19
		22
119654-66700	12	93
119655-12560	18	11
119656-66910	12	89
119660-01551	2	32
119660-01562	2	33
119660-01570	2	34
119660-01821	7	21
119660-01911	2	7
119660-25022	7	9
119660-25052	7	10
119660-32020	9	11
119660-51500	11	31
119660-51530	11	33
119660-61052	12	18
119660-61060	12	2
119660-61071	12	3
119660-61121	12	11
119660-61140	12	12
119660-61150	12	13

PARTS No. INDEX

PARTS No.	Fig.	Ref.No.
119660-61300	12	9
119660-61341	12	10
119660-61460	12	19
119660-61491	12	27
119660-61901	12	51
119808-12540	18	10
119810-55340	14	4
119840-61870	12	75
119865-12600	18	12
121023-01550	2	23
121250-44901	10	26
121254-55510	14	5
121257-55720	14	8
121257-55731	14	13
121267-44760	10	25
121450-01560	2	30
		44
121450-42450	10	28
121450-44531	18	17
121465-59950	12	74
121468-44510	18	15
121468-44540	18	18
121470-44581	18	20
121520-01851	14	15
121520-34810	9	13
121550-49111	10	24
121575-66830	12	77
124060-01050	1	5
124060-21600	8	15
124066-59100	13	38
124085-02220	3	4
124097-77710	15	13
124160-01751	2	5
	4	47
124160-11360	4	45
124160-39450	9	28
124160-77020	27	8
124195-77770	15	15
124240-01883	2	6
124450-44560	18	19
124465-44950	10	27
		29
124550-59820	13	45
124550-66370	12	62
124722-49160	24	13
124756-67510	12	91
124766-59050	13	48
	14	20
		24
128300-77920	26	26

PARTS No.	Fig.	Ref.No.
129100-01580	8	2
	15	19
129100-61930	12	59
129107-44590	24	19
129132-34800	9	14
129150-35350	9	24
129150-49080	24	9
129150-49090	24	12
129150-49100	24	8
129150-59120	13	20
129150-59131	13	23
129155-51280	12	15
129155-61480	12	22
129155-61830	13	2
129155-77800	4	57
129350-26490	7	19
129350-49530	10	20
129350-49541	10	22
172110-36010	71	3
172116-14610	20	4
172122-14610	18	13
172123-76120	22	21
		22
	23	19
172126-16540	27	5
172137-69840	69	6
172141-76180	22	24
		27
172146-62890	23	17
		18
172147-61520	52	9
172147-62290	23	16
172156-11150	23	10
172156-73720	22	5
172162-17330	26	8
172162-61870	22	19
172165-79800	22	31
	82	1
172183-46440	23	15
172519-76120	23	20
172519-76140	22	23
172631-78220	22	30
172637-76110	22	20
172725-16160	25	1
172725-16380	24	6
	47	1
172730-61890	48	7
172734-14620	18	14
174307-51700	12	29
192180-25980	30	8

PARTS No.	Fig.	Ref.No.
194080-75790	74	10
194145-04810	44	1
194150-01190	50	2
194151-04141	19	5
194151-04150	19	6
194151-47760	66	5
194151-57100	77	1
194190-34730	39	4
		10
194190-61761	44	6
194194-13570	59	1
194194-13580	59	2
194200-25590	59	3
194200-25600	59	4
194200-31851	38	7
194200-31861	38	8
194200-31871	38	9
194200-31881	38	10
194200-37510	51	3
	54	2
194201-61750	25	6
194210-13561	29	10
194215-12341	43	1
194250-04301	19	7
194300-13340	43	3
194450-52150	26	9
194550-51220	27	6
194630-01150	52	1
194630-48930	22	18
194630-52190	26	11
194630-52210	26	12
194630-64770	25	7
194740-00160	50	1
194800-51510	25	2
194802-56100	26	13
194940-01230	52	2
	55	1
194990-22050	2	21
	12	1
	29	11
194990-22140	46	2
195160-13870	74	1
197108-14120	66	1
198220-01261	50	3
	52	3
198220-52180	26	10
198230-61880	49	10
198511-15620	40	1
198511-25580	71	1
198511-25590	71	2

PARTS No.	Fig.	Ref.No.
198511-26200	59	5
198511-31511	38	4
198511-31561	38	5
198511-31570	38	6
198511-51450	27	7
198511-63100	49	11
198511-63120	49	12
	58	3
198511-66220	46	12
198525-89960	23	23
1A1040-43900	33	6
1A1040-48070	29	14
	59	6
	71	4
1A1070-28210	29	12
1A1280-69500	33	8
1A1380-23710	51	2
1A1380-48150	74	2
1A1380-51700	47	18
1A1410-48050	29	13
1A1490-40540	23	14
1A1550-56250	53	5
1A1680-56450	26	14
1A1700-92310	71	14
1A6150-00680	17	1
1A6150-00700	17	2
1A6150-00710	17	3
1A6150-02450	18	1
1A6150-02500	18	2
1A6150-02510	18	3
1A6150-02520	18	4
1A6150-02530	18	5
1A6150-02540	24	1
1A6150-03100	19	1
1A6150-03151	19	2
1A6150-03171	19	3
1A6150-03211	19	4
1A6150-03250	20	1
		2
1A6150-04010	21	1
1A6150-04250	21	2
1A6150-05080	22	1
1A6150-05150	22	46
1A6150-05310	22	2
1A6150-05450	22	3
1A6150-05520	22	6
		7
1A6150-05530	22	8
		9
1A6150-05580	22	11

PARTS No. INDEX

PARTS No.	Fig.	Ref.No.
1A6150-05601	22	12
1A6150-06201	24	2
1A6150-06300	24	3
1A6150-06350	24	4
1A6150-08100	26	2
1A6150-08180	26	3
1A6150-08250	27	3
1A6150-08260	27	4
1A6150-08270	24	5
	47	24
1A6150-11150	28	2
1A6150-11250	28	3
1A6150-11300	28	4
1A6150-11350	28	5
1A6150-11500	28	6
1A6150-12004	29	3
1A6150-12012	29	4
1A6150-12020	30	1
1A6150-12030	29	5
1A6150-12043	29	6
1A6150-12080	29	7
1A6150-12100	29	8
1A6150-12120	29	9
1A6150-12200	30	2
1A6150-12211	30	3
1A6150-12222	30	4
1A6150-12232	30	5
1A6150-12261	30	6
1A6150-12270	30	7
1A6150-12500	31	1
1A6150-12510	31	3
1A6150-13010	32	1
1A6150-13050	32	10
1A6150-13060	32	11
1A6150-13070	32	12
1A6150-13080	32	13
1A6150-13090	32	14
1A6150-13200	32	2
1A6150-13210	32	3
1A6150-13220	32	4
1A6150-13230	32	5
1A6150-13240	32	6
1A6150-15010	33	21
1A6150-15081	33	2
1A6150-15102	33	3
1A6150-15200	33	4
1A6150-15250	33	5
1A6150-15301	34	1
1A6150-15370	34	2
1A6150-15410	35	1

PARTS No.	Fig.	Ref.No.
1A6150-15451	35	2
1A6150-15501	34	14
1A6150-15511	35	3
1A6150-15550	34	3
1A6150-15590	35	5
1A6150-15611	35	16
1A6150-15651	35	6
1A6150-15670	35	7
1A6150-15680	35	4
1A6150-17100	31	2
1A6150-17110	31	4
1A6150-17120	31	5
1A6150-17140	31	6
1A6150-21290	36	4
1A6150-21350	36	6
1A6150-22200	37	1
1A6150-22210	37	2
1A6150-22250	37	3
1A6150-22690	38	1
1A6150-22700	38	2
1A6150-22750	38	12
1A6150-22760	38	13
1A6150-22770	38	14
1A6150-22800	38	3
1A6150-23000	39	1
1A6150-23010	39	2
1A6150-23020	39	3
1A6150-23030	39	5
1A6150-23250	39	7
1A6150-23260	39	8
1A6150-23270	39	9
1A6150-23280	39	11
1A6150-25401	40	5
1A6150-31451	44	3
1A6150-31550	44	4
1A6150-31650	44	5
1A6150-35050	45	1
1A6150-35201	45	4
1A6150-35301	45	6
1A6150-35351	45	7
1A6150-35700	45	8
1A6150-35750	45	9
1A6150-41100	46	3
1A6150-41120	46	4
1A6150-41150	46	5
1A6150-41160	46	6
1A6150-41300	46	7
1A6150-41400	46	8
1A6150-41550	46	9
1A6150-42300	47	5

PARTS No.	Fig.	Ref.No.
1A6150-42380	47	6
1A6150-42390	47	7
1A6150-42401	47	8
1A6150-42500	47	9
1A6150-42581	47	10
1A6150-42590	47	11
1A6150-42700	47	12
1A6150-42710	47	13
1A6150-42720	47	14
1A6150-42740	47	15
1A6150-42750	47	16
1A6150-42760	47	17
1A6150-43020	48	3
1A6150-43030	48	4
1A6150-43100	48	5
1A6150-43120	48	6
1A6150-44300	49	4
1A6150-44333	49	5
1A6150-44350	49	6
1A6150-51010	50	4
1A6150-51101	50	5
1A6150-51110	50	6
1A6150-53100	51	4
1A6150-53180	51	5
1A6150-53200	51	6
1A6150-53300	51	7
1A6150-53321	51	8
1A6150-53341	51	9
1A6150-53350	51	10
1A6150-53380	51	11
1A6150-53420	52	4
1A6150-53430	52	5
1A6150-53440	52	6
1A6150-53470	52	7
1A6150-53500	52	8
1A6150-53600	53	14
1A6150-54301	54	3
1A6150-54360	54	4
1A6150-54370	46	10
	54	5
1A6150-54400	54	6
1A6150-54540	53	2
1A6150-54580	53	3
1A6150-54650	54	7
1A6150-54700	53	4
1A6150-57100	55	2
1A6150-57201	55	3
1A6150-57211	55	4
1A6150-57220	55	5
1A6150-61320	56	2

PARTS No.	Fig.	Ref.No.
1A6150-61701	57	2
1A6150-61770	57	8
1A6150-61801	57	9
1A6150-61830	57	3
		10
	70	2
		16
1A6150-61840	57	11
	70	3
		17
1A6150-61850	57	4
		12
	70	4
1A6150-61860	70	18
1A6150-61870	57	5
	70	5
1A6150-61891	47	19
	57	13
1A6150-61900	57	14
1A6150-61911	58	1
1A6150-61960	70	19
1A6150-61980	58	2
1A6150-62010	59	7
1A6150-62070	59	8
1A6150-62090	59	9
1A6150-62100	59	10
1A6150-62200	59	11
1A6150-63010	60	1
	63	1
1A6150-63030	61	1
1A6150-63050	61	2
1A6150-63101	61	9
1A6150-63160	60	2
	63	2
1A6150-63250	61	13
	64	1
1A6150-63270	61	14
1A6150-63301	62	1
1A6150-63350	62	2
1A6150-63400	62	3
1A6150-63501	62	4
1A6150-63550	62	5
1A6150-63600	64	2
1A6150-63710	65	2
1A6150-63720	63	3
1A6150-64111	66	2
1A6150-64200	66	3
1A6150-64211	66	4
1A6150-64250	66	6
1A6150-64300	66	7

PARTS No. INDEX

PARTS No.	Fig.	Ref.No.
1A6150-66010	67	6
	68	5
1A6150-66100	67	9
	68	8
1A6150-66200	68	9
1A6150-66220	68	10
1A6150-69801	58	6
1A6150-69811	58	7
1A6150-69830	69	5
1A6150-69850	70	6
1A6150-69860	70	7
1A6150-69870	70	20
1A6150-69880	70	21
1A6150-69890	48	8
	69	7
1A6150-69900	70	8
1A6150-69910	70	22
1A6150-69930	70	9
1A6150-69950	70	23
1A6150-69970	70	10
		24
1A6150-71010	71	6
1A6150-71151	71	7
1A6150-71160	71	8
1A6150-71170	71	9
1A6150-71200	71	10
1A6150-71251	71	11
1A6150-71350	70	25
	71	12
1A6150-71370	71	13
1A6150-72010	73	2
1A6150-72050	73	3
1A6150-72101	72	2
1A6150-72200	73	4
1A6150-72300	73	5
1A6150-73101	74	4
1A6150-73251	74	5
1A6150-73300	74	6
1A6150-73352	74	7
1A6150-73460	74	24
1A6150-73551	74	8
1A6150-73650	74	9
1A6150-73700	56	3
	69	3
1A6150-76102	75	1
1A6150-76230	75	2
1A6150-76302	75	3
1A6150-76321	75	4
1A6150-76350	75	5
1A6150-76370	75	6

PARTS No.	Fig.	Ref.No.
1A6150-76400	75	7
1A6150-76501	75	8
1A6150-76630	75	9
1A6150-76653	75	11
1A6150-76700	75	12
1A6150-76710	75	13
1A6150-76730	75	14
1A6150-76740	75	46
1A6150-76780	75	15
1A6150-76812	75	16
1A6150-76820	75	17
1A6150-76830	75	18
1A6150-76840	75	19
1A6150-76850	75	20
1A6150-76860	76	1
1A6150-76900	77	2
1A6150-76910	76	2
1A6150-76920	77	3
1A6150-76930	76	3
1A6150-76940	75	47
1A6150-76950	77	4
1A6150-91200	78	3
1A6150-91251	79	1
1A6150-91311	78	4
1A6150-91321	79	2
1A6150-91340	78	6
1A6150-91371	79	3
1A6150-91400	79	4
1A6150-92111	79	5
1A6150-92150	78	7
1A6150-92200	78	9
1A6150-92210	78	10
1A6150-93101	79	6
1A6150-93151	79	7
1A6150-94201	79	8
1A6150-94300	78	8
1A6157-02550	18	6
	23	1
1A6157-05570	22	10
1A6157-05650	22	13
1A6157-05670	22	14
1A6157-05750	22	15
1A6157-05760	22	16
1A6157-05780	23	2
1A6157-05800	23	3
1A6157-05820	23	4
1A6157-05840	29	1
1A6157-05850	29	2
1A6157-05880	23	36
1A6157-05890	23	5

PARTS No.	Fig.	Ref.No.
1A6157-05900	23	6
1A6157-05910	23	7
1A6157-05930	47	25
1A6157-05950	23	8
1A6157-05980	23	9
1A6157-08200	27	1
1A6157-15070	33	1
1A6157-21150	36	1
1A6157-21200	36	2
1A6157-21250	36	3
1A6157-21300	36	5
1A6157-25120	40	3
1A6157-25200	40	4
1A6157-25360	23	11
1A6157-25370	23	12
1A6157-26050	42	1
1A6157-27010	43	2
1A6157-27200	43	5
1A6157-27230	43	6
1A6157-27550	23	13
1A6157-35060	45	2
1A6157-35150	45	3
1A6157-35250	45	5
1A6157-42010	47	4
1A6157-44150	49	3
1A6157-83100	81	1
1A6157-83140	82	2
1A6157-83150	82	3
1A6157-91100	78	1
1A6157-91130	78	2
1C1100-21100	40	2
1C6281-52310	33	7
	53	1
1C6560-42290	72	1
1C6660-11120	28	1
1C6720-47280	43	7
1E4010-76220	67	10
	68	11
1E4070-46290	67	2
	68	2
1E6030-73130	54	8
1E6102-84960	20	5
	22	32
		33
	23	21
	27	9
		10
		11
	50	7
	55	6

PARTS No.	Fig.	Ref.No.
1E6102-84970	23	22
	27	12
		13
		14
		15
		16
		17
	55	7
1E6150-73410	36	7
1E6192-53660	31	7
1E6251-32530	47	3
1E6470-37420	57	1
	70	1
		15
1E6511-98910	80	2
1E6570-65751	21	3
1E6650-63400	45	10
1E6650-63401	45	10 -1
1E6650-82101	26	27
1E6650-82150	26	28
1E6680-26621	47	2
	74	22
1E6681-26250	37	4
1E6740-42060	34	4
1E6780-82121	77	5
1E6820-03580	20	3
1E6820-51080	34	5
1E6910-04940	48	1
1E6910-73220	66	8
1E7070-57060	71	5
1E8050-83240	57	6
1E8060-64480	73	1
1E8060-65760	62	6
1E8080-65830	42	2
1E8080-78690	46	13
1E8130-53120	29	15
1E8130-66791	22	4
1E8270-04090	70	14
1E8350-33850	22	17
1E8361-17140	65	1
1E8361-35410	30	9
1E9275-12610	45	10 -2
1S0070-63100	69	1
1T3660-87230	45	12
1W0151-09066	46	1
1W3851-00950	26	1
1W3851-20230	26	16
1W3852-70061	26	15
1W3854-70150	26	17
1W3985-11710	49	2

PARTS No. INDEX

PARTS No.	Fig.	Ref.No.
1W4473-10020	41	1
1W4473-20030	41	2
1W4621-60320	46	11
1W4647-50140	49	7
1W4647-50150	49	8
1W4647-50160	49	9
1W4850-10060	26	4
1W4851-20110	26	6
1W4851-40030	26	7
1W4905-70050	78	5
1W4981-10441	51	1
1W4981-10850	54	1
1W4981-90090	32	15
1W4982-11540	49	1
1W6521-10080	67	1
	68	1
1W6522-50630	67	3
	68	3
1W6522-50640	67	4
	68	4
1W6522-60530	67	5
714250-11570	4	19
719225-51100	11	1
719255-53100	13	1
719260-02800	1	17
719260-02870	1	26
719260-02930	1	20
719260-11650	4	32
719260-11660	4	36
719260-23600	8	32
719260-23610	8	40
719265-01560	1	1
719620-01650	3	2
794130-71410	45	11
7A6150-15440	35	13
7A6150-61002	56	1
7A6150-69000	69	2
7A6150-73010	74	3
7A6150-73410	74	23
7A6150-76640	75	10
7A6157-31010	44	2
7A6157-43010	48	2
933168-28480	29	26
933171-15680	23	35
X2114275010	15	14
X2114715500	15	3
X2114811000	15	4
XM069000000	16	8
XM219230000	16	3
XM329830000	16	4

PARTS No.	Fig.	Ref.No.
XM771870000	16	16
XM860250000	16	5
XM863720000	16	6
XYSPS400800	16	11
XYSPS402400	16	12

PARTS No.	Fig.	Ref.No.
-----------	------	---------

PARTS No.	Fig.	Ref.No.
-----------	------	---------



YANMAR CO., LTD.